

# Zaira

**144 LED/m • 44 LED/ft**

10,0 W/m • 3,1 W/ft

**168 LED/m • 52 LED/ft**

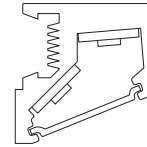
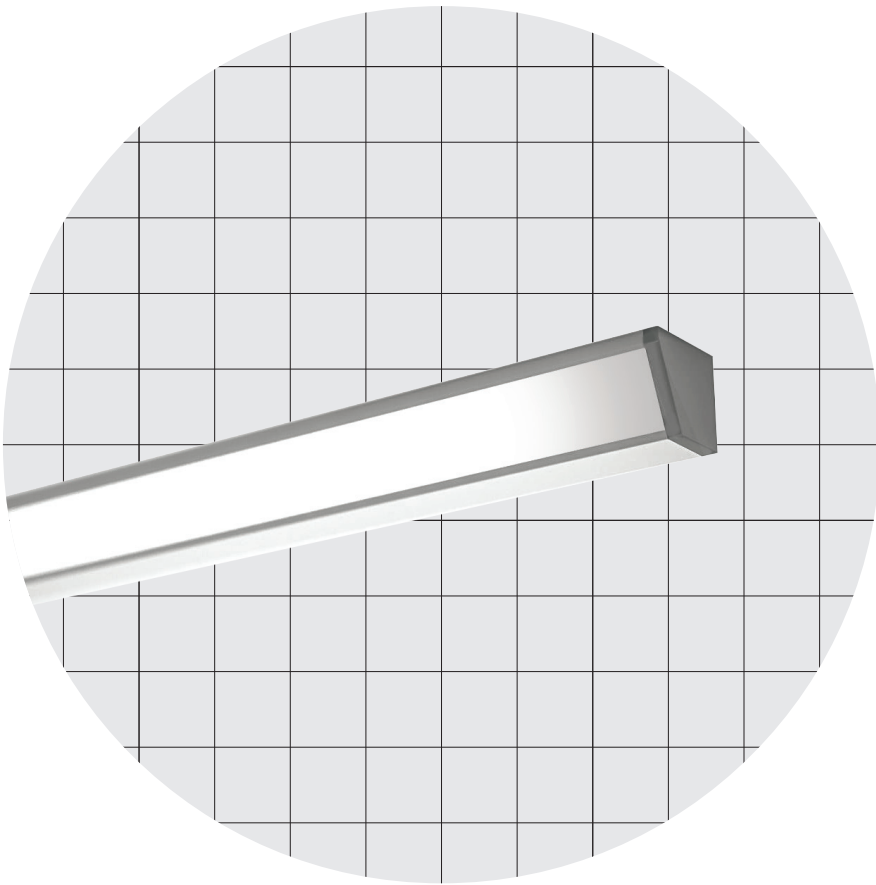
15,0 W/m • 4,6 W/ft

**182 LED/m • 55 LED/ft**

20,0 W/m • 6,1 W/ft

**TW - 252 LED/m • 77 LED/ft Tunable White**

20,0 W/m • 6,1 W/ft



**18,0 × 18,5 mm**

**0,71 × 0,73 "**

# Zaira



Sharp Asym.

## Body Corpo

### Asymmetric linear profile

Profilo lineare asimmetrico

<b>Fastening</b> Fissaggio	Caps + Plastic clips	Tappi + Clip in plastica
	Caps + Magnets	Tappi + Magneti
<b>Screen</b> Schermo	Transparent TR7 (Screening 7%)	Trasparente TR7 (Schermatura 7%)
	Opal OP30 (Screening 30%)	Opale OP30 (Scherm. 30%)
	Opal OP50 (Screening 50%)	Opale OP50 (Scherm. 50%)
<b>Wiring set</b> Cavo alimentazione	2000 mm • 78,74 "	2000 mm
<b>Custom size</b> Lunghezza ordinabile	Up to 3000 mm • 118,10 "	Fino a 3000 mm
<b>Finishing</b> Finitura	● Grey anodized (Standard)	
	→ On request other finishes	
	● Anodica grigia (Standard)	
	→ Su richiesta altre finiture	

### Listings and marks

Certificazioni e marchi



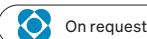
### Where we produce

Dove produciamo

Made in Italy

### LED (See page CRI)

LED (Vedi pagina CRI)

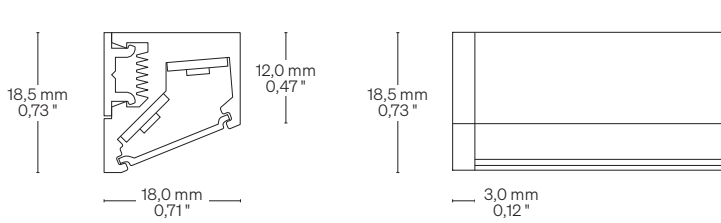


# Zaira

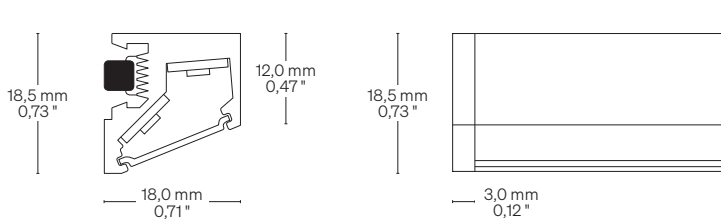
## Light Luce

<b>Light source</b> Sorgente luminosa	144 LED/m • 44 LED/ft	168 LED/m • 52 LED/ft	182 LED/m • 55 LED/ft	TW - 252 LED/m • 77 LED/ft Tunable White
<b>Power consumption</b> Consumo energia	10,0 W/m • 3,1 W/ft	15,0 W/m • 4,6 W/ft	20,0 W/m • 6,1 W/ft	20,0 W/m • 6,1 W/ft
<b>CCT K</b>	<ul style="list-style-type: none"> <li>● 2700 K</li> <li>● 3000 K</li> <li>● 3500 K</li> <li>● 4000 K</li> <li>● 5000 K</li> </ul>	<ul style="list-style-type: none"> <li>● 2700 K</li> <li>● 3000 K</li> <li>● 3500 K</li> <li>● 4000 K</li> <li>● 5000 K</li> </ul>	<ul style="list-style-type: none"> <li>● 2700 K</li> <li>● 3000 K</li> <li>● 3500 K</li> <li>● 4000 K</li> <li>● 5000 K</li> </ul>	<ul style="list-style-type: none"> <li>● 2200 - 5700 K</li> </ul>
<b>On request/Su richiesta:</b> ● Mixing/Miscelazione ● 2200 K				
<b>CRI</b>	Min 90	Min 90	Min 90	Min 90
<b>R9</b>	Min 50	Min 50	Min 50	Min 50
<b>Rf @ 3000 K</b>	92	92	92	92
<b>Rg @ 3000 K</b>	100	100	100	100
<b>MacAdam ellipse</b>	3	3	3	3
<b>Delivered lumen output</b> Flusso luminoso emesso ● 3000 K	↓ <b>A - TR7</b> - 132 lm/W 1320 lm/m • 402 lm/ft ↓ <b>A - OP30</b> - 91 lm/W 908 lm/m • 277 lm/ft ↓ <b>A - OP50</b> - 74 lm/W 743 lm/m • 227 lm/ft	↓ <b>A - TR7</b> - 143 lm/W 2148 lm/m • 655 lm/ft ↓ <b>A - OP30</b> - 98 lm/W 1477 lm/m • 450 lm/ft ↓ <b>A - OP50</b> - 81 lm/W 1207 lm/m • 368 lm/ft	↓ <b>A - TR7</b> - 144 lm/W 2886 lm/m • 880 lm/ft ↓ <b>A - OP30</b> - 99 lm/W 1985 lm/m • 605 lm/ft ↓ <b>A - OP50</b> - 81 lm/W 1623 lm/m • 495 lm/ft	↓ <b>A - TR7</b> - 72 lm/W 1440 lm/m • 439 lm/ft ↓ <b>A - OP30</b> - 50 lm/W 990 lm/m • 302 lm/ft ↓ <b>A - OP50</b> - 41 lm/W 810 lm/m • 247 lm/ft
<b>Delivered lumen output</b> Flusso luminoso emesso ● 3000 K	↓ <b>B - TR7</b> - 132 lm/W 1321 lm/m • 403 lm/ft ↓ <b>B - OP30</b> - 88 lm/W 875 lm/m • 267 lm/ft ↓ <b>B - OP50</b> - 66 lm/W 660 lm/m • 201 lm/ft	↓ <b>B - TR7</b> - 143 lm/W 2148 lm/m • 655 lm/ft ↓ <b>B - OP30</b> - 95 lm/W 1422 lm/m • 434 lm/ft ↓ <b>B - OP50</b> - 72 lm/W 1074 lm/m • 327 lm/ft	↓ <b>B - TR7</b> - 144 lm/W 2886 lm/m • 880 lm/ft ↓ <b>B - OP30</b> - 96 lm/W 1911 lm/m • 583 lm/ft ↓ <b>B - OP50</b> - 72 lm/W 1443 lm/m • 440 lm/ft	↓ <b>B - TR7</b> - 72 lm/W 1440 lm/m • 439 lm/ft ↓ <b>B - OP30</b> - 48 lm/W 954 lm/m • 291 lm/ft ↓ <b>B - OP50</b> - 36 lm/W 720 lm/m • 220 lm/ft
<b>Input voltage</b> Tensione di ingresso	24 V DC	24 V DC	24 V DC	24 V DC

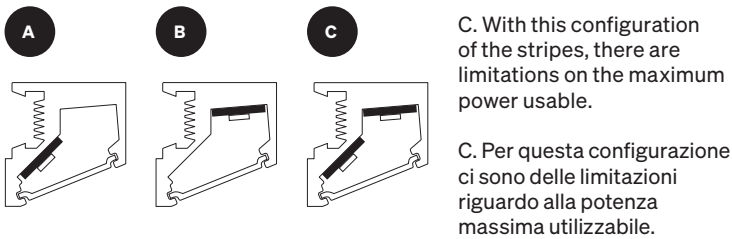
**TA** Caps + Plastic clips  
Tappi + Clip in plastica



**TAM** Caps + Magnets  
Tappi + Magneti

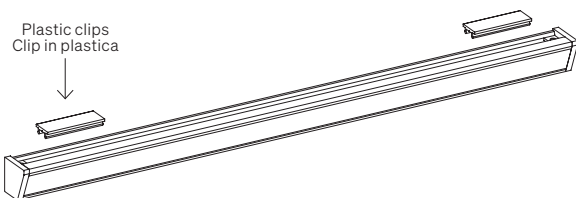


## Strip LED position Posizione strip LED

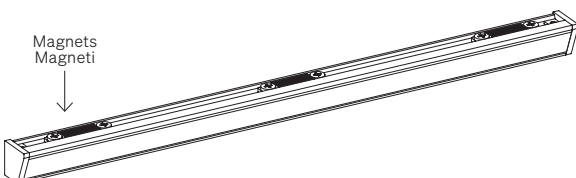


## Fastening options Opzioni di fissaggio

**TA** Caps + Plastic clips  
Tappi + Clip in plastica



**TAM** Caps + Magnets  
Tappi + Magneti



# Zaira

Order code Codice ordine	
<b>Basic code</b> Codice base	<ul style="list-style-type: none"> <li>• <b>ZAF144</b> Zaira 144 LED/m • 44 LED/ft 10,0 W/m • 3,1 W/ft</li> <li>• <b>ZAF168</b> Zaira 168 LED/m • 52 LED/ft 15,0 W/m • 4,6 W/ft</li> <li>• <b>ZAF182</b> Zaira 182 LED/m • 55 LED/ft 20,0 W/m • 6,1 W/ft</li> <li>• <b>ZAF252</b> Zaira TW 252 LED/m • 77 LED/ft ● 2200 - 5700 K 20,0 W/m • 6,1 W/ft</li> </ul>
<b>CCT K</b> CCT K	<ul style="list-style-type: none"> <li>• <b>WW27</b> ● 2700 K</li> <li>• <b>WW30</b> ● 3000 K</li> <li>• <b>NW35</b> ● 3500 K</li> <li>• <b>NW</b> ● 4000 K</li> <li>• <b>CW</b> ● 5000 K</li> </ul>
<b>Strip LED position</b> Posizione strip LED	<ul style="list-style-type: none"> <li>• <b>A</b> Side Laterale</li> <li>• <b>B</b> Zenith. On the plane Zenitale. Sul piano</li> <li>• <b>C</b> Double strip LED Doppia strip LED</li> </ul>
<b>Fastening options</b> Opzioni di fissaggio	<ul style="list-style-type: none"> <li>• <b>TA</b> Caps + Plastic clips Tappi + Clip in plastica</li> <li>• <b>TAM</b> Caps + Magnets Tappi + Magneti</li> </ul>
<b>Screen</b> Schermo	<ul style="list-style-type: none"> <li>• <b>TR7</b> Transparent/Trasparente 7</li> <li>• <b>OP30</b> Opal/Opale 30</li> <li>• <b>OP50</b> Opal/Opale 50</li> </ul>
<b>Ordering length</b> Lunghezza ordinabile	<ul style="list-style-type: none"> <li>• -- → Specify the custom size or visit <a href="http://formulaluci.com">formulaluci.com</a>, for standard lenght. → Specificare la misura custom oppure visitare il sito <a href="http://formulaluci.com">formulaluci.com</a>, per le lunghezze standard.</li> </ul>
<b>Order example</b> Esempio ordine	<ul style="list-style-type: none"> <li>• <b>ZAF144 WW27 A TA TR7 • 0,32</b>  Zaira, 144 LED/m • 44 LED/ft, 10,0 W/m • 3,1 W/ft, Warm White 2700, Side, Caps + Plastic clips, Transparent 7 • 0,32 m  Zaira, 144 LED/m, 10,0 W/m, Warm White 2700, Laterale, Tappi + Clip in plastica, Trasparente 7 • 0,32 m</li> </ul>

# CRI Typical\* CRI Tipici\*

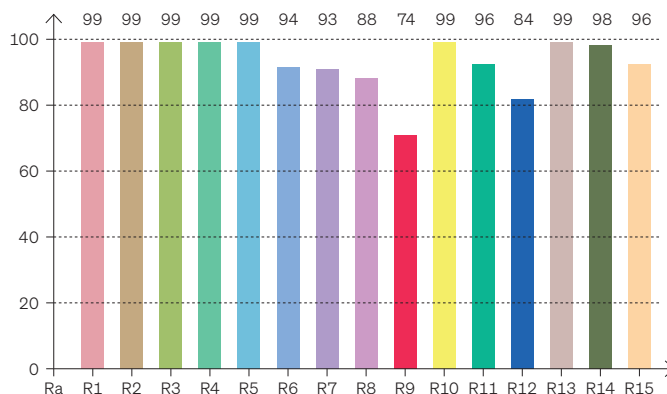


**R9050 - H6 • 3SDCM**

**High Efficacy**

● 3000 K

**CRI: 94,5 (R1-R8)**



\* Values taken from sample measurements  
\* Valori presi da misurazioni a campione

**CRI Values Valori CRI**

CCTK: ● 3000 K

CRI	R1	R2	R3	R4	R5	R6	R7	R8	R9	R10	R11	R12	R13	R14	R15
<b>94,4</b>	99	99	99	99	99	94	93	88	74	99	96	84	99	98	96

**Color Parameters Parametri del colore**

Color Temperature	Color Render Index	Red Component	Color Fidelity	Color Gamut	Color Quality Scale	Color Coord. CIE 1931	Color Coord. CIE 1931	Color Coordinate	Color Coordinate	Color Deviation from Black Body
CCT K	CRI	CRI R9	TM30 Rf	TM30 Rg	CQS	X	Y	U	V	ΔUV
3042 K	96,2	74,4	92,2	100,5	92,9	0,441	0,399	0,255	0,347	-0,0009

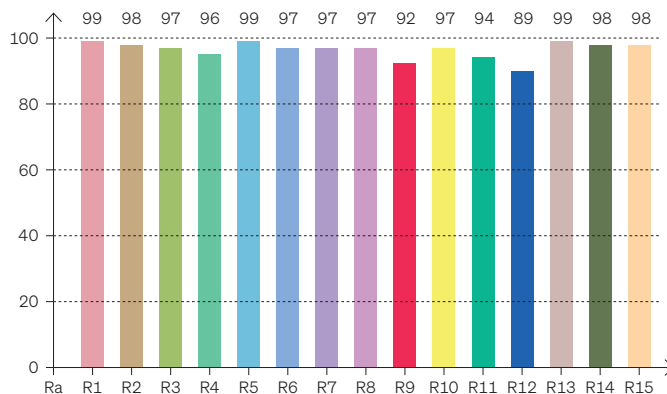


**FULL SPECTRUM • 3SDCM**

**OPTISOLIS™**

● 3000 K

**CRI: 97,6 (R1-R8)**



\* Values taken from sample measurements  
\* Valori presi da misurazioni a campione

**CRI Values Valori CRI**

CCTK: ● 3000 K

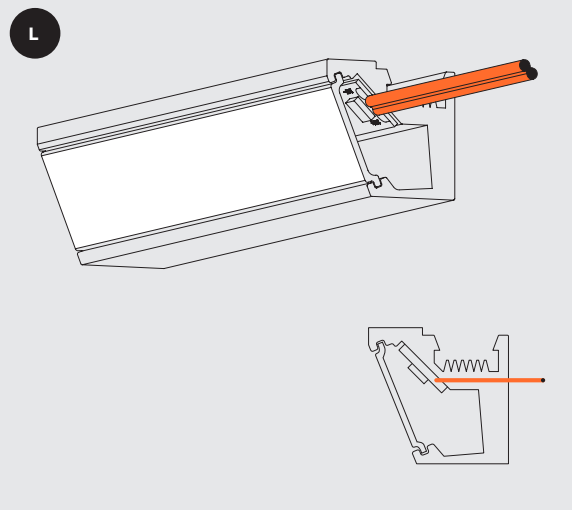
CRI	R1	R2	R3	R4	R5	R6	R7	R8	R9	R10	R11	R12	R13	R14	R15
<b>97,6</b>	99	98	97	96	99	97	97	97	92	97	94	89	99	98	98

**Color Parameters Parametri del colore**

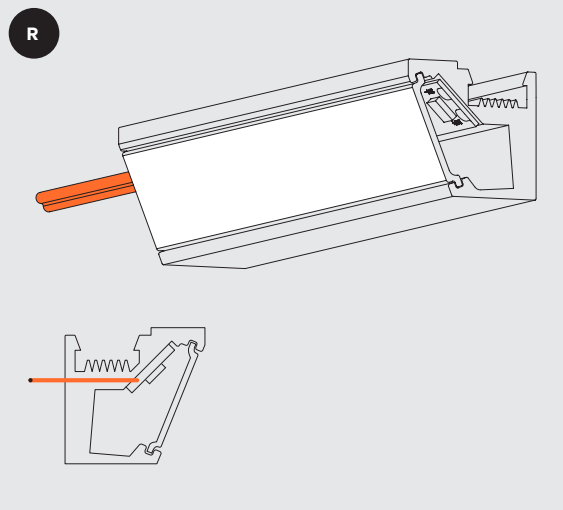
Color Temperature	Color Render Index	Red Component	Color Fidelity	Color Gamut	Color Quality Scale	Color Coord. CIE 1931	Color Coord. CIE 1931	Color Coordinate	Color Coordinate	Color Deviation from Black Body
CCT K	CRI	CRI R9	TM30 Rf	TM30 Rg	CQS	X	Y	U	V	ΔUV
3491 K	97,6	92,2	95,2	102,7	96,5	0,404	0,386	0,237	0,339	-0,0019

# Cable outlet Uscita cavi

Left side Lato sinistro



Right side Lato destro



## Warnings Avvertenze

The installation of the product, must be done as illustrated in the catalogue or inside the technical data-sheet that can be asked to the manufacturer. An installation performed differently from the one indicated may compromise the durability and characteristics of the product itself.

An installation performed differently from the one indicated may compromise the durability and characteristics of the product.

Unsuitable cross-section / length of the cable can negatively affect the lighting power of the product. If Power supplies, even those with a plastic case, are located in spaces that are too small for their dimensions; they will be subjected to dissipation problems that will compromise their functionality. Silicones or resins subjected to temperature changes and used near the product, if not in accordance with the specifications issued by the manufacturer, they can seriously damage the LED component. The products can not be modified without any authorization by the manufacturer.

L'installazione del prodotto, dovrà eseguirsi come illustrato nel catalogo o nella documentazione tecnica richiedibile al produttore. Un'installazione eseguita diversamente da quella indicata, può compromettere la durata e le caratteristiche del prodotto.

Prima dell'installazione verificare la corretta sezione del cavo collegato tra LED e alimentatore.

Sezione / lunghezza del cavo non congrui, possono alterare in negativo la luminosità del prodotto. Gli alimentatori, anche quelli con contenitore plastico, inseriti in spazi troppo piccoli, saranno soggetti a problemi di dissipazione che comprometteranno la loro funzionalità. Siliconi o resine soggetti a sbalzi di temperature e utilizzati in prossimità del prodotto, se non conformi alle specifiche rilasciate dal produttore possono danneggiare gravemente il componente LED. I prodotti non possono essere modificati senza autorizzazione da parte del produttore.