



Sharp

Body Corpo

Symmetrical linear profile, adjustable

Profilo lineare simmetrico orientabile

Fastening Fissaggio	Adjustable heads with screws	Testatine orientabili con viti
Screen Schermo	Transparent TR5 (Screening 5%) Opal OP20 (Screening 20%) Opal OP50 (Screening 50%)	Trasparente TR5 (Schermatura 5%) Opale OP20 (Scherm. 20%) Opale OP50 (Scherm. 50%)
Wiring set Cavo alimentazione	2000 mm • 78,74 "	2000 mm
Custom size Lunghezza ordinabile	Up to 1500 mm • 59,06 "	Fino a 1500 mm
Finishing Finitura	● Grey anodized	● Anodica grigia

Listings and marks

Certificazioni e marchi



LED
LED



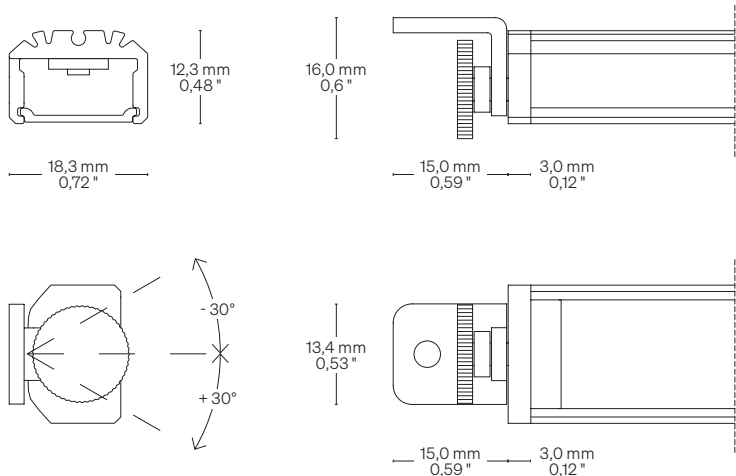
Light Luce

Light source Sorgente luminosa	144 LED/m • 44 LED/ft	168 LED/m • 52 LED/ft	182 LED/m • 56 LED/ft	TW - 252 LED/m • 77 LED/ft Tunable White
Power consumption Consumo energia	10,0 W/m • 3,1 W/ft	15,0 W/m • 4,6 W/ft	20,0 W/m • 6,1 W/ft	20,0 W/m • 6,1 W/ft
CCT K	● 2700 K ● 3000 K ● 3500 K ● 4000 K ● 5000 K	● 2700 K ● 3000 K ● 3500 K ● 4000 K ● 5000 K	● 2700 K ● 3000 K ● 3500 K ● 4000 K ● 5000 K	● 2200 - 5700 K
Mixing on demand Miscelazione su richiesta				
CRI R9 Rf @ 3000 K Rg @ 3000 K MacAdam ellipse	Min 90 Min 50 92 100 3	Min 90 Min 50 92 100 3	Min 90 Min 50 92 100 3	Min 90 Min 50 92 100 3
Luminous flux Flusso luminoso ● 3000 K	↓ TR5 - 104 lm/W 1040 lm/m • 317 lm/ft ↓ OP20 - 91 lm/W 910 lm/m • 277 lm/ft ↓ OP50 - 52 lm/W 520 lm/m • 158 lm/ft	↓ TR5 - 113 lm/W 1692 lm/m • 516 lm/ft ↓ OP20 - 98 lm/W 1480 lm/m • 451 lm/ft ↓ OP50 - 56 lm/W 846 lm/m • 258 lm/ft	↓ TR5 - 144 lm/W 2880 lm/m • 878 lm/ft ↓ OP20 - 126 lm/W 2520 lm/m • 768 lm/ft ↓ OP50 - 72 lm/W 1440 lm/m • 439 lm/ft	↓ TR5 - 72 lm/W 1440 lm/m • 0439 lm/ft ↓ OP20 - 63 lm/W 1260 lm/m • 384 lm/ft ↓ OP50 - 36 lm/W 720 lm/m • 220 lm/ft
Input voltage Tensione di ingresso	24 V DC	24 V DC	24 V DC	24 V DC

Dimensions Dimensioni

Scale/Scala 1:1

TO Adjustable heads with screws
Testatine orientabili con viti



Fastening options Opzioni di fissaggio

TO Adjustable heads with screws
Testatine orientabili con viti



Order code Codice ordine

Basic code Codice base	<ul style="list-style-type: none"> HIF144 Hida 144 LED/m • 44 LED/ft 10,0 W/m • 3,1 W/ft HIF168 Hida 168 LED/m • 52 LED/ft 15,0 W/m • 4,6 W/ft HIF182 Hida 182 LED/m • 56 LED/ft 20,0 W/m • 6,1 W/ft HIF252 Hida TW 252 LED/m • 77 LED/ft 2200 - 5700 K 20,0 W/m • 6,1 W/ft
CCT K CCT K	<ul style="list-style-type: none"> WW27 2700 K WW30 3000 K NW35 3500 K NW 4000 K CW 5000 K
Fastening options Opzioni di fissaggio	<ul style="list-style-type: none"> TO Adjustable heads with screws Testatine orientabili con viti
Screen Schermo	<ul style="list-style-type: none"> TR5 Transparent/Trasparente 5 OP20 Opal/Opale 20 OP50 Opal/Opale 50
Custom size Lunghezza ordinabile	<ul style="list-style-type: none"> -- Specify the size Specificare la misura

Order example Esempio ordine	<ul style="list-style-type: none"> HIF144 WW27 TO TR5 • 0,32 Hida, 144 LED/m • 44 LED/ft 10,0 W/m • 3,1 W/ft, Warm White 2700, Adjustable heads with screws, Transparent 5 • 0,32 m Hida, 144 LED/m, 10,0 W/m, Warm White 2700, Testatine orientabili con viti, Trasparente 5 • 0,32 m
--	---