

Kobe Lens



L30 Asymmetric



L70 Asymmetric

Body Corpo

Linear asymmetric profile

Profilo lineare asimmetrico

Fastening Fissaggio	Caps + Magnets	Tappi + Magneti
Linear optics Ottica lineare	L30 - 30° L70 - 70°	L30 - 30° L70 - 70°
Wiring set Cavo alimentazione	2000 mm • 78,74 "	2000 mm
Custom size Lunghezza ordinabile	Up to 3000 mm • 118,11 "	Fino a 3000 mm
Finishing Finitura	● Grey anodized	● Anodica grigia

Listings and marks

Certificazioni e marchi



LED
LED



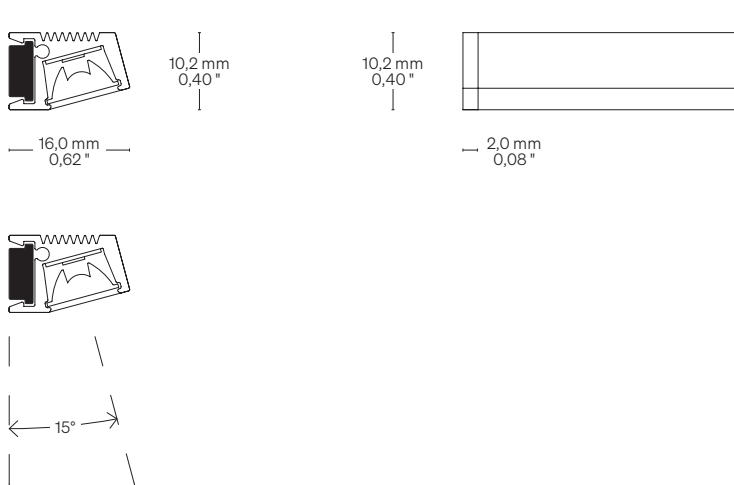
Light Luce

Light source Sorgente luminosa	144 LED/m • 44 LED/ft	168 LED/m • 52 LED/ft	182 LED/m • 56 LED/ft	TW - 252 LED/m • 77 LED/ft Tunable White
Power consumption Consumo energia	10,0 W/m • 3,1 W/ft	15,0 W/m • 4,6 W/ft	20,0 W/m • 6,1 W/ft	20,0 W/m • 6,1 W/ft
CCT K	● 2700 K ● 3000 K ● 3500 K ● 4000 K ● 5000 K	● 2700 K ● 3000 K ● 3500 K ● 4000 K ● 5000 K	● 2700 K ● 3000 K ● 3500 K ● 4000 K ● 5000 K	● 2200 - 5700 K
Mixing on demand Miscelazione su richiesta				
CRI R9 Rf @ 3000 K Rg @ 3000 K MacAdam ellipse	Min 90 Min 50 92 100 3	Min 90 Min 50 92 100 3	Min 90 Min 50 92 100 3	Min 90 Min 50 92 100 3
Luminous flux (Strip LED) Flusso luminoso (Strip LED) ● 3000 K	1300 lm/m • 396 lm/ft	2115 lm/m • 645 lm/ft	3280 lm/m • 1000 lm/ft	1800 lm/m • 549 lm/ft
Input voltage Tensione di ingresso	24 V DC	24 V DC	24 V DC	24 V DC

Dimensions Dimensioni

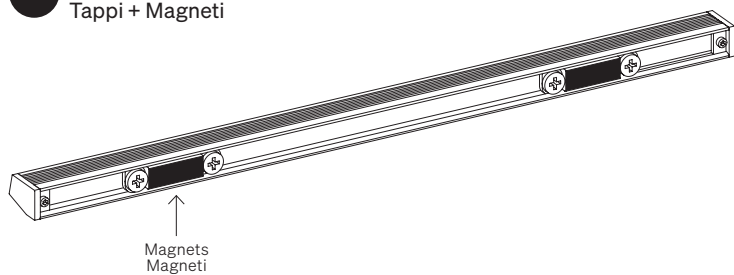
Scale/Scala 1:1

TAM Caps + Magnets
Tappi + Magneti



Fastening options Opzioni di fissaggio

TAM Caps + Magnets
Tappi + Magneti



Order code Codice ordine

Basic code Codice base	<ul style="list-style-type: none"> KOF144 Kobe Lens 144 LED/m • 44 LED/ft 10,0 W/m • 3,1 W/ft KOF168 Kobe Lens 168 LED/m • 52 LED/ft 15,0 W/m • 4,6 W/ft KOF182 Kobe Lens 182 LED/m • 56 LED/ft 20,0 W/m • 6,1 W/ft KOF252 Kobe Lens TW 252 LED/m • 77 LED/ft ● 2200 - 5700 K 20,0 W/m • 6,1 W/ft
CCT K CCT K	<ul style="list-style-type: none"> WW27 ● 2700 K WW30 ● 3000 K NW35 ● 3500 K NW ● 4000 K CW ● 5000 K
Fastening options Opzioni di fissaggio	<ul style="list-style-type: none"> TAM Caps + Magnets Tappi + Magneti
Linear optics Ottica lineare	<ul style="list-style-type: none"> L30 30° L70 70°
Custom size Lunghezza ordinabile	<ul style="list-style-type: none"> -- Specify the size Specificare la misura

Order example Esempio ordine	<ul style="list-style-type: none"> KOF144 WW27 TAM L30 • 0,32 Kobe Lens, 144 LED/m • 44 LED/ft, 10,0 W/m • 3,1 W/ft, Warm White 2700, Caps + Magnets, Linear optic 30° • 0,32 m Kobe Lens, 144 LED/m, 10,0 W/m, Warm White 2700, Tappi + Magneti, Ottica lineare 30° • 0,32 m
--	--