

# Riga + Lens



Sharp Asym. L30 Asymmetric L70 Asymmetric

## Body Corpo

### Mixed light on asymmetrical linear profile

Luce mista su profilo lineare asimmetrico

<b>Fastening</b> Fissaggio	Caps + Magnetic tape Heads with screws	Tappi + Nastro magnetico Testatine con viti
<b>Linear optics (Lens)</b> Ottica lineare (Lens)	L30 - 30° L70 - 70°	L30 - 30° L70 - 70°
<b>Screen (Riga)</b> Schermo (Riga)	Transparent TR5 (Screening 5%) Opal OP40 (Screening 40%) Opal OP60 (Screening 60%)	Trasparente TR5 (Schermatura 5%) Opale OP40 (Scherm. 40%) Opale OP60 (Scherm. 60%)
<b>Wiring set</b> Cavo alimentazione	2000 mm • 78,74 "	2000 mm
<b>Custom size</b> Lunghezza ordinabile	Up to 3000 mm • 118,10 "	Fino a 3000 mm
<b>Finishing</b> Finitura	● Grey anodized	● Anodica grigia

### Listings and marks

Certificazioni e marchi



### LED

LED



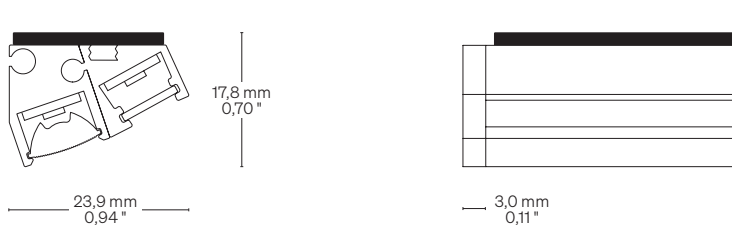
## Light Luce

<b>Riga</b>	<b>Light source</b> Sorgente luminosa	144LED/m • 44 LED/ft	168LED/m • 52 LED/ft	182LED/m • 56 LED/ft	252LED/m • 77 LED/ft TW - Tunable White
	<b>Power consumption</b> Consumo energia	10,0 W/m • 3,1 W/ft	15,0 W/m • 4,6 W/ft	20,0 W/m • 6,1 W/ft	20,0 W/m • 6,1 W/ft
	<b>Luminous flux</b> Flusso luminoso ● 3000 K	↓ OP40 - 74 lm/W 744 lm/m • 227 lm/ft	↓ OP40 - 80 lm/W 1205 lm/m • 367 lm/ft	↓ OP40 - 93 lm/W 1870 lm/m • 570 lm/ft	↓ OP40 - 52 lm/W 1045 lm/m • 319 lm/ft
<b>Lens</b>	<b>Light source</b> Sorgente luminosa	144LED/m • 44 LED/ft	168LED/m • 52 LED/ft	182LED/m • 56 LED/ft	252LED/m • 77 LED/ft TW - Tunable White
	<b>Power consumption</b> Consumo energia	10,0 W/m • 3,1 W/ft	15,0 W/m • 4,6 W/ft	20,0 W/m • 6,1 W/ft	20,0 W/m • 6,1 W/ft
	<b>Luminous flux</b> Flusso luminoso ● 3000 K	1300 lm/m • 396 lm/ft	2250 lm/m • 686 lm/ft	3280 lm/m • 1000 lm/ft	1800 lm/m • 549 lm/ft
<b>Riga / Lens</b>	<b>CCT K</b>	● 2700 K ● 3000 K ● 3500 K ● 4000 K ● 5000 K	● 2700 K ● 3000 K ● 3500 K ● 4000 K ● 5000 K	● 2700 K ● 3000 K ● 3500 K ● 4000 K ● 5000 K	● 2200 - 5700 K
	Mixing on demand Miscelazione su richiesta				
	<b>CRI</b> <b>R9</b> <b>Rf @ 3000 K</b> <b>Rg @ 3000 K</b> <b>MacAdam ellipse</b>	Min 90 Min 50 92 100 3	Min 90 Min 50 92 100 3	Min 90 Min 50 92 100 3	Min 90 Min 50 92 100 3
	<b>Input voltage</b> Tensione di ingresso	24 V DC	24 V DC	24 V DC	24 V DC

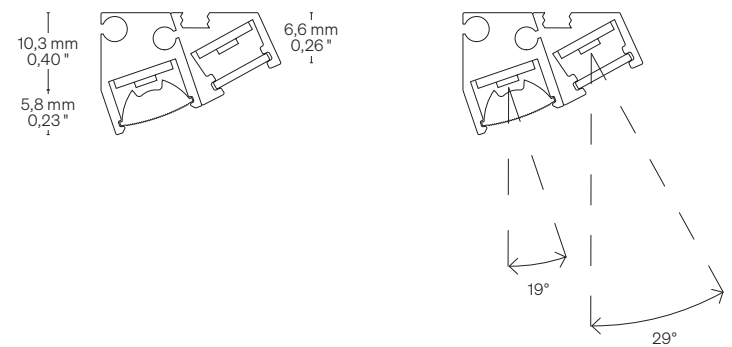
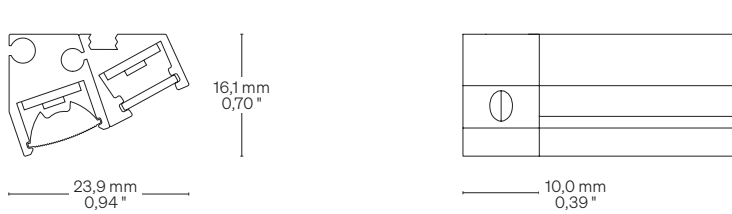
## Dimensions Dimensioni

Scale/Scala 1:1

### **TAN** Caps + Magnetic tape Tappi + Nastro magnetico

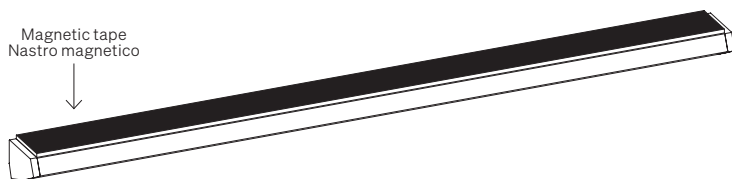


### **TE** Heads with screws Testatine con viti

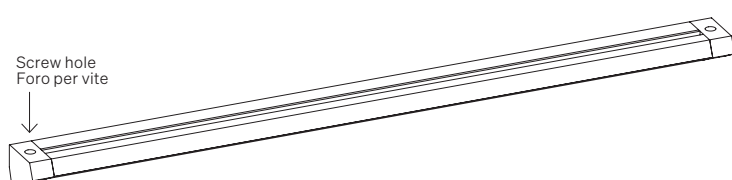


## Fastening options Opzioni di fissaggio

### **TAN** Caps + Magnetic tape Tappi + Nastro magnetico



### **TE** Heads with screws Testatine con viti



## Order code Codice ordine

On request. Please contact us: [sales@formulaluci.com](mailto:sales@formulaluci.com)  
Su richiesta. Puoi contattarci: [sales@formulaluci.com](mailto:sales@formulaluci.com)