

# TOP 1



## Body Corpo

### Aluminium spotlight recessed for furniture interior

Faretto in alluminio da incasso per mobili interni

<b>Fastening</b> Fissaggio	Pressure	A pressione
<b>Optics</b> Ottica	120°	120°
<b>Wiring set</b> Cavo alimentazione	140,0 mm • 5,51"	140,0 mm
<b>Finishing</b> Finitura	<ul style="list-style-type: none"> <li>● Chrome galvanized</li> <li>● Gold galvanized</li> <li>● Argent varnish</li> <li>○ White varnish</li> </ul>	<ul style="list-style-type: none"> <li>● Galvanica cromo</li> <li>● Galvanica oro</li> <li>● Vernice argento</li> <li>○ Vernice bianca</li> </ul>

### Listings and marks

Certificazioni e marchi



### LED

LED



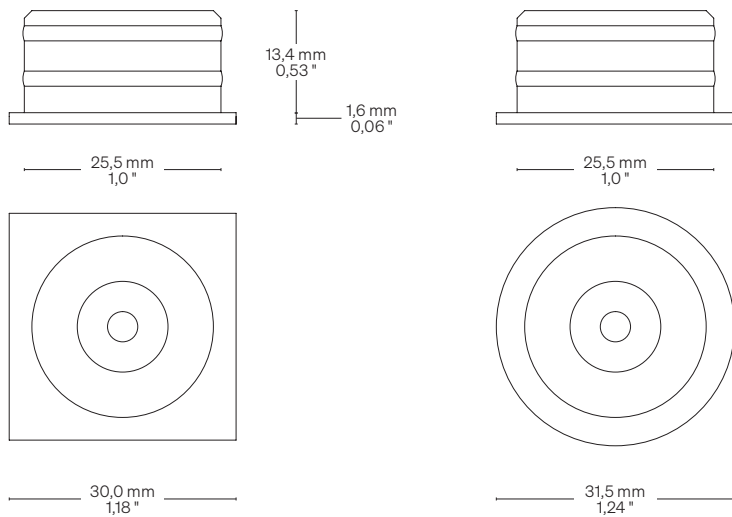
## Light Luce

<b>Light source</b> Sorgente luminosa	LED ↓ <b>Series/In serie</b> V CC: 1,0 W	LED ↓ <b>Parallel/In parallelo</b> V DC: 1,1 W
<b>CCT K</b>	<ul style="list-style-type: none"> <li>● 2700 K</li> <li>● 3000 K</li> <li>● 3500 K</li> <li>● 4000 K</li> <li>● 5000 K</li> </ul>	<ul style="list-style-type: none"> <li>● 2700 K</li> <li>● 3000 K</li> <li>● 3500 K</li> <li>● 4000 K</li> <li>● 5000 K</li> </ul>
<b>CRI</b> <b>R9</b> <b>Rf @ 3000 K</b> <b>Rg @ 3000 K</b> <b>MacAdam ellipse</b>	Min 90 Min 80 96 103 2	Min 90 Min 80 96 103 2
<b>Luminous flux</b> Flusso luminoso ● 3000 K	101 lm @ 350mA	101 lm @ 12 V DC
<b>Input voltage/current</b> Tensione/Corrente di ingresso	3 V CC @ 350mA	12 V DC

## Dimensions Dimensioni


Scale/Scala 1:1

**P** Pressure  
A pressione



## Fastening options Opzioni di fissaggio

**P** Pressure  
A pressione

 Hole size:  $\varnothing 26,0 \text{ mm} \cdot \varnothing 1,02 \text{ ''}$   
Dimensione foro:  $\varnothing 26,0 \text{ mm}$

## Order code Codice ordine

**Basic code**  
Codice base

- **T11** Top 1 – Square/Quadrato White/Bianco
- **T13** Top 1 – Square/Quadrato Chrome/Cromo
- **T16** Top 1 – Square/Quadrato Silver/Argento
- **T11T** Top 1 – Round/Rotondo White/Bianco
- **T13T** Top 1 – Round/Rotondo Chrome/Cromo
- **T14T** Top 1 – Round/Rotondo Gold/Oro
- **T16T** Top 1 – Round/Rotondo Silver/Argento

**CCT K**  
CCT K

- **WW27** ● 2700 K
- **WW30** ● 3000 K
- **NW35** ● 3500 K
- **NW** ● 4000 K
- **CW** ● 5000 K

**Accessories**  
Accessori

- **DRPWM** Converter 12 V DC/  
Convertitore 12 V DC
- **DRDC** Converter 12 V DC  
- Potential different dimmer  
Convertitore 12 V DC  
- Dimmerabile in tensione

**Order example**  
Esempio ordine

- **T11 WW27 DRPWM**  
Top 1 – Square shape,  
White varnish, Warm White 2700,  
Converter 12 V DC  
  
Top 1 – Forma quadrata,  
Vernice bianca, Warm White 2700,  
Convertitore 12 V DC