

FLI • new PRODUCTS

Formula Luci
New Products 2024

2024

Formula Luci

Projects Progetti ⁰²

New products Nuovi prodotti ⁰⁴

Listings and marks Certificazioni e marchi ⁵⁸

Warnings Avvertenze ⁵⁹

- 01 Singapore, Marina Bay Sands
Products in use: Tokio Mini Lens, Plank Plus,
Play Surface, LOOP Side Bend
Lighting design: Voyons Voir Paris
- 02 Dubai Mall, Dubai
Products in use: Aiko 8, 133 Mini
Architects: Vudafieri Saverino Partners
Lighting Design: Studio Amort
Fit out: Barth
- 03 Place Vendôme Mall in Lusail, Qatar
Products in use: Plank Plus, 133 Mini
Lighting design: CML Cristian Miola Lighting
Fitout: Arcoglobal



01

02



03



- 04 Rodeo Drive, Beverly Hills
Products in use: Tokio Micro, Aiko 8, Play Magnet
Architect: Two One Two Design
Fit out: Icon Design

- 05 Deji Plaza, Nanjing, China
Products in use: Aiko 8, Tokio Micro,
133 Mini, 133 Lens Optics P5/P7
Architect: Curiosity Tokyo
Lighting design: CML Cristian Miola Lighting

- 06 Perusastraße, München
Products in use: Kobe Lens, Plank Optics P4,
Play Recessed, Loop Side Bend
Architects: OMA
Fit out: Arredoquattro Industrie



05



04

06



New products overview Overview nuovi prodotti

Kobe



Linear asymmetric profile
Profilo lineare asimmetrico

06

Plank Optics P4 Chain



Linear Light, Spot Fixed, Chain
Linear Light, Spot Fissi, Catenaria

08

TOP Mini & TOP Mini Lens



Spotlight
Spotlight

12 & 14

TOP Mini Lens Adjustable



Spotlight adjustable
Spotlight orientabile

16

Blues XS Chain



Spotlight, Chain
Spotlight, Catenaria

18

4807 Bridge



Showcase Light
Showcase Light

20

LLS (Lens Linear System)



Linear Light System with five different lens optics
Sistema Linear Light con cinque differenti ottiche

38

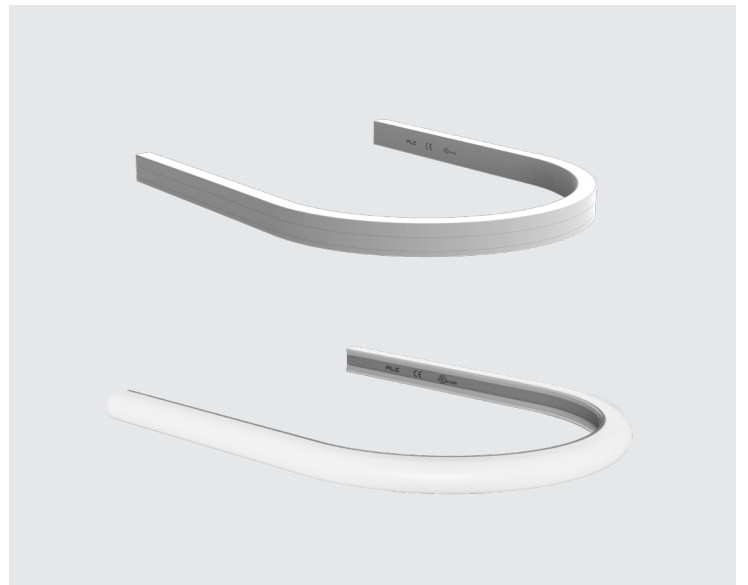
LOOP Side Bend & LOOP Top Bend



Flexible Light
Flexible Light

26

TOOL Side Bend & TOOL Top Bend



Flexible Light
Flexible Light

30 & 34

Kobe



Sharp Asym.

Body Corpo

Linear asymmetric profile

Profilo lineare asimmetrico

Fastening Fissaggio	Caps + Magnets	Tappi + Magneti
Screen Schermo	Opal OP30 (Screening 30%)	Opale OP30 (Scherm. 30%)
Wiring set Cavo alimentazione	2000 mm • 78,74 "	2000 mm
Custom size Lunghezza ordinabile	Up to 3000 mm • 118,11 "	Fino a 3000 mm
Finishing Finitura	● Grey anodized	● Anodica grigia

Listings and marks

Certificazioni e marchi



LED
LED



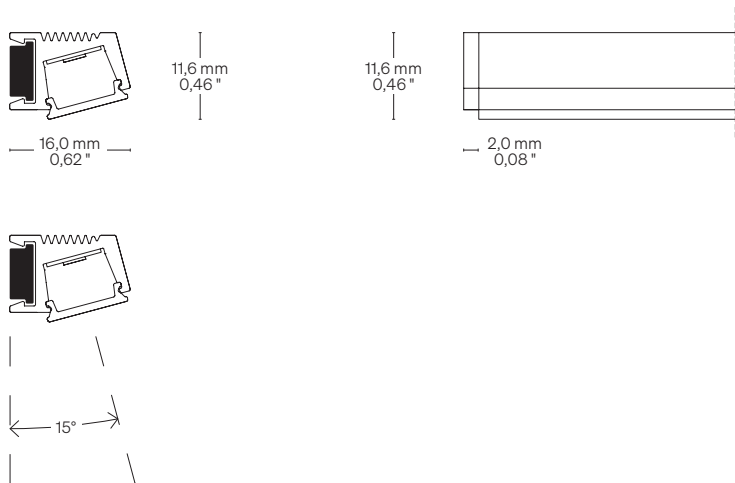
Light Luce

Light source Sorgente luminosa	144 LED/m • 44 LED/ft	168 LED/m • 52 LED/ft	182 LED/m • 56 LED/ft	TW - 252 LED/m • 77 LED/ft Tunable White
Power consumption Consumo energia	10,0 W/m • 3,1 W/ft	15,0 W/m • 4,6 W/ft	20,0 W/m • 6,1 W/ft	20,0 W/m • 6,1 W/ft
CCT K	● 2700 K ● 3000 K ● 3500 K ● 4000 K ● 5000 K	● 2700 K ● 3000 K ● 3500 K ● 4000 K ● 5000 K	● 2700 K ● 3000 K ● 3500 K ● 4000 K ● 5000 K	● 2200 - 5700 K
Mixing on demand Miscelazione su richiesta				
CRI R9 Rf @ 3000 K Rg @ 3000 K MacAdam ellipse	Min 90 Min 50 92 100 3	Min 90 Min 50 92 100 3	Min 90 Min 50 92 100 3	Min 90 Min 50 92 100 3
Luminous flux Flusso luminoso ● 3000 K	↓ OP30 - 78 lm/W 783 lm/m • 239 lm/ft	↓ OP30 - 83 lm/W 1270 lm/m • 387 lm/ft	↓ OP30 - 98 lm/W 1968 lm/m • 600 lm/ft	↓ OP30 - 55 lm/W 1100 lm/m • 335 lm/ft
Input voltage Tensione di ingresso	24 V DC	24 V DC	24 V DC	24 V DC

Dimensions Dimensioni

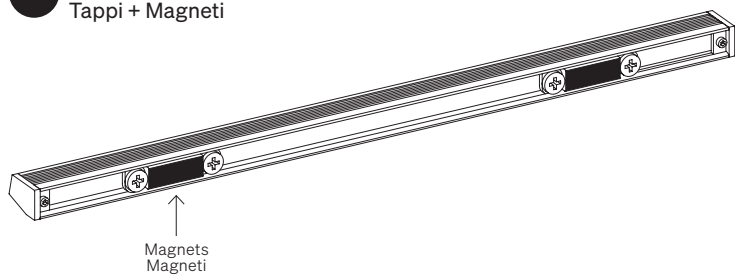
Scale/Scala 1:1

TAM Caps + Magnets Tappi + Magneti



Fastening options Opzioni di fissaggio

TAM Caps + Magnets Tappi + Magneti



Order code Codice ordine

Basic code Codice base	<ul style="list-style-type: none"> • KOF144 Kobe 144 LED/m • 44 LED/ft 10,0 W/m • 3,1 W/ft • KOF168 Kobe 168 LED/m • 52 LED/ft 15,0 W/m • 4,6 W/ft • KOF182 Kobe 182 LED/m • 56 LED/ft 20,0 W/m • 6,1 W/ft • KOF252 Kobe TW 252 LED/m • 77 LED/ft 2200 - 5700 K 20,0 W/m • 6,1 W/ft
CCT K CCT K	<ul style="list-style-type: none"> • WW27 2700 K • WW30 3000 K • NW35 3500 K • NW 4000 K • CW 5000 K
Fastening options Opzioni di fissaggio	<ul style="list-style-type: none"> • TAM Caps + Magnets Tappi + Magneti
Screen Schermo	<ul style="list-style-type: none"> • OP30 Opal/Opale 30
Custom size Lunghezza ordinabile	<ul style="list-style-type: none"> • -- Specify the size Specificare la misura

Order example Esempio ordine	<ul style="list-style-type: none"> • KOF144 WW27 TAM OP30 • 0,32 Kobe, 144 LED/m • 44 LED/ft, 10,0 W/m • 3,1 W/ft, Warm White 2700, Caps + Magnets, Opal 30 screen • 0,32 m • Kobe, 144 LED/m, 10,0 W/m, Warm White 2700, Tappi + Magneti, Schermo opale 30 • 0,32 m
--	---

Plank Optics P4 Chain



Spotted

Body Corpo

Linear Light, Spot Fixed, Chain

Linear Light, Spot Fissi, Catenaria

Fastening Fissaggio	Caps + Plastic clips Caps + Magnets	Tappi + Clip in plastica Tappi + Magneti
Optics Ottica	20° • 25° • 38° • 44° • 62° • Oval (45°+25°)	20° • 25° • 38° • 44° • 62° • Oval (45°+25°)
Wiring set Cavo alimentazione	2000 mm • 78,74 "	2000 mm
Custom size Lunghezza ordinabile	Up to 10 modules	Fino a 10 moduli
Finishing Finitura	● Black matt	● Nero opaco

Listings and marks

Certificazioni e marchi



LED

LED

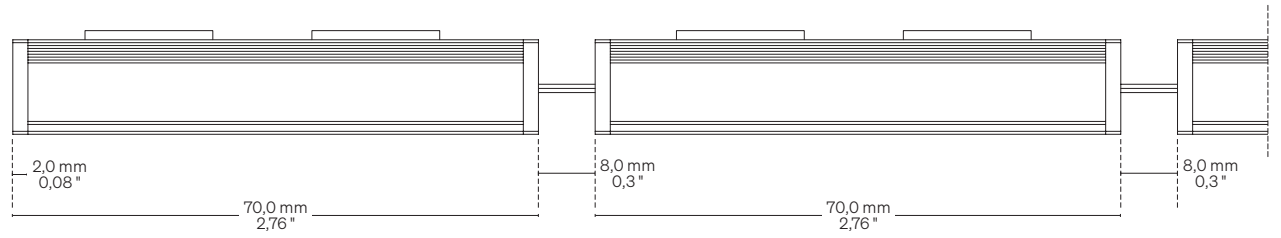
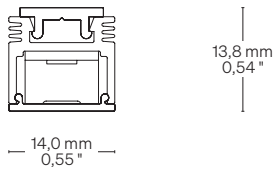


Light Luce

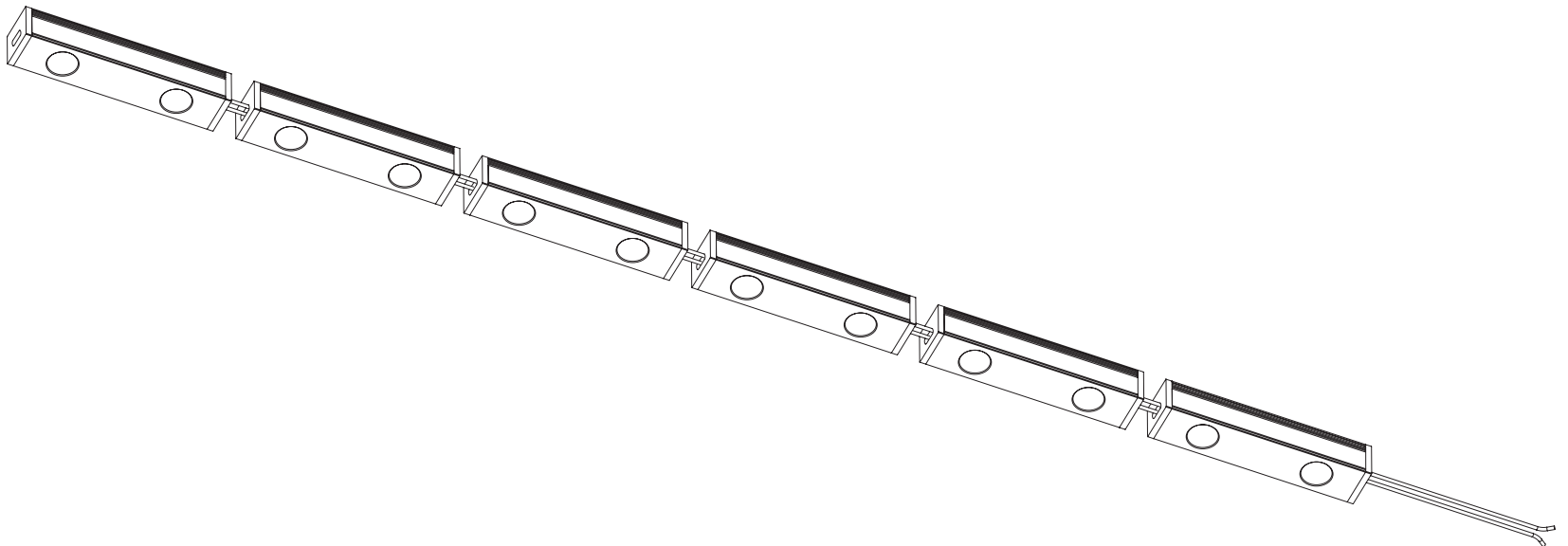
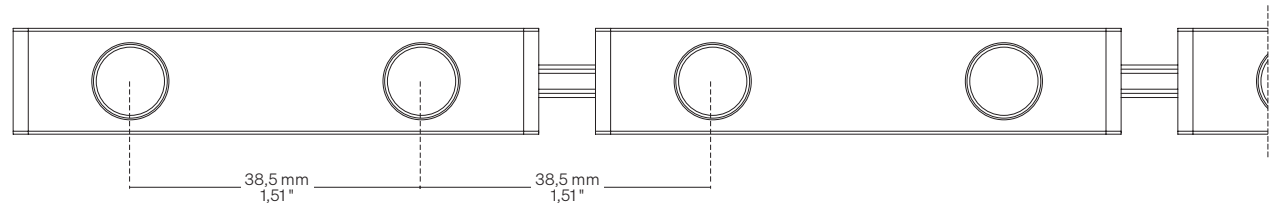
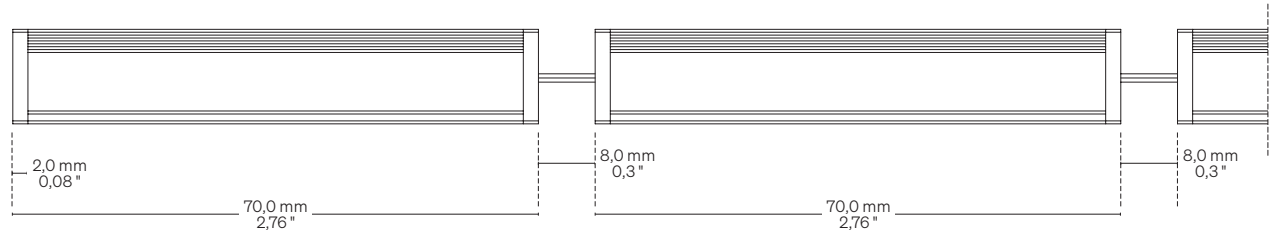
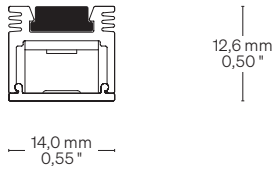
Pitch Passo	↓ P4 38,5 mm • 1,52 "
Light source Sorgente luminosa	2 LED/module • 2 LED/modulo
Power consumption Consumo energia	2 W × Module (2 × 1 W) 2 W × Modulo (2 × 1 W)
CCT K Mixing on demand Miscelazione su richiesta	● 2700 K ● 3000 K ● 3500 K ● 4000 K ● 5000 K
CRI R9 Rf @ 3000 K Rg @ 3000 K MacAdam ellipse	Min 90 Min 80 95 102 2
Luminous flux Flusso luminoso ● 3000 K	2 × 101 lm @ 350 mA 101 lm/W
Input current Corrente di ingresso	CC - Up to 400 mA CC - Fino a 400 mA



TA Caps + Plastic clips
Tappi + Clipin plastica

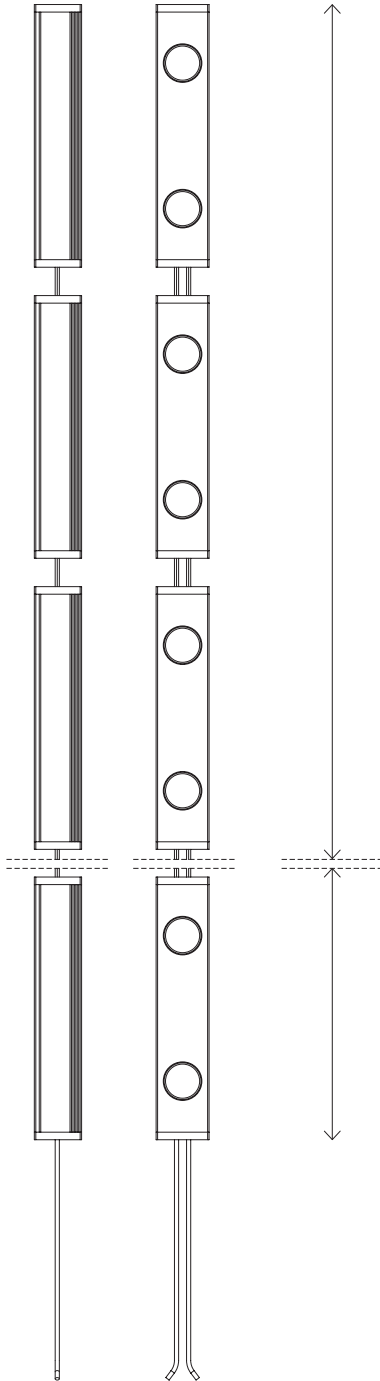


TAM Caps + Magnets
Tappi + Magneti



Custom size Lunghezza ordinabile

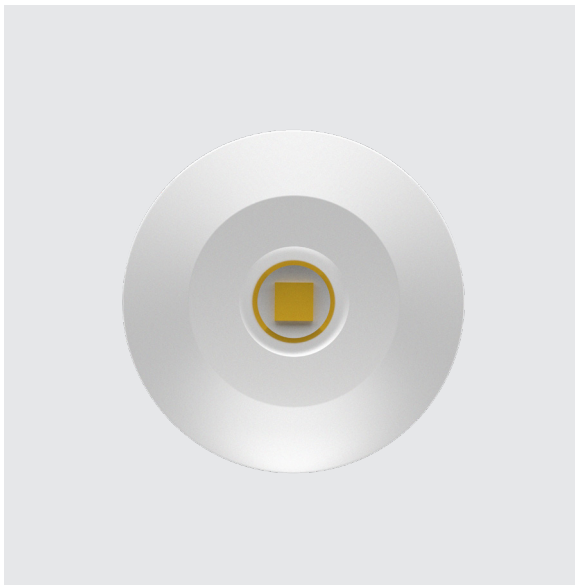
Up to 10 modules
Fino a 10 moduli



Order code Codice ordine

Basic code Codice base	• PKO4C	Plank Optics P4 Chain
CCT K CCT K	• WW27 WW30 NW35 NW CW	• 2700 K • 3000 K • 3500 K • 4000 K • 5000 K
Fastening options Opzioni di fissaggio	• TA TAM	Caps + Plastic clips Tappi + Clip in plastica Caps + Magnets Tappi + Magneti
Optics Ottica	• 20 25 38 44 62 OVAL	20° 25° 38° 44° 62° Oval (45°+25°)
Custom size Lunghezza ordinabile	• --	Specify the size Specificare la misura
Order example Esempio ordine	• PKO4C WW27 TA 20 • 0,32	Plank Optics P4 Chain, Warm White 2700, Caps + Plastic clips, 20° Optic • 0,32 m Plank Optics P4 Chain, Warm White 2700, Tappi + Clip in plastica, Ottica 20° • 0,32 m

TOP Mini



Body Corpo

Aluminium spot

Spot in alluminio

Fastening Fissaggio	Pressure	A pressione
-------------------------------	----------	-------------

Wiring set Cavo alimentazione	1500 mm • 59,06 "	1500 mm
---	-------------------	---------

Finishing Finitura	● Grey anodized	● Anodica grigia
	● Black anodized	● Anodica nera
	○ White varnish	○ Vernice bianca
	● Galvanica oro	● Galvanica oro

Listings and marks

Certificazioni e marchi



Light Luce

Light source Sorgente luminosa	LED ↓ Series/In serie V CC: 1,0 W	LED ↓ Parallel/In parallelo V DC: 1,1 W
--	--	--

CCT K	● 2700 K	● 2700 K
	● 3000 K	● 3000 K
	● 3500 K	● 3500 K
	● 4000 K	● 4000 K
	● 5000 K	● 5000 K

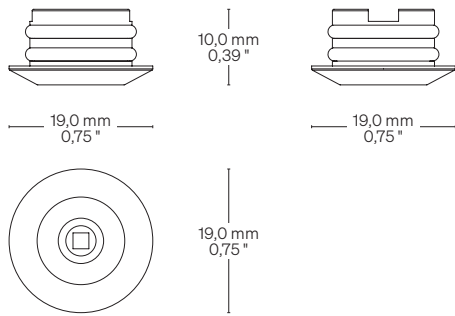
CRI R9 Rf @ 3000 K Rg @ 3000 K MacAdam ellipse	Min 90	Min 90
	Min 80	Min 80
	96	96
	103	103
	2	2

Luminous flux Flusso luminoso ● 3000 K	101 lm @ 350mA	101 lm @ 24 V DC
---	----------------	------------------

Input voltage/current Tensione/Corrente di ingresso	3 V CC @350mA	24 V DC
---	---------------	---------

Dimensions Dimensioni

Scale/Scala 1:1

**Fastening options** Opzioni di fissaggio

Hole size: \varnothing 14,0 mm • \varnothing 0,55"
 Dimensione foro: \varnothing 14,0 mm

Order code Codice ordine**Basic codes**
Codici base**CCT K**
CCT K**Accessories**
Accessori

- **TM** TOP Mini

- **WW27** ● 2700
- **WW30** ● 3000
- **NW35** ● 3500
- **NW** ● 4000
- **CW** ● 5000

- **DRPWM** Converter 24 V DC/
Convertitore 24 V DC
- **DRDC** Converter 24 V DC
- Potential different dimmer
Convertitore 24 V DC
- Dimmerabile in tensione

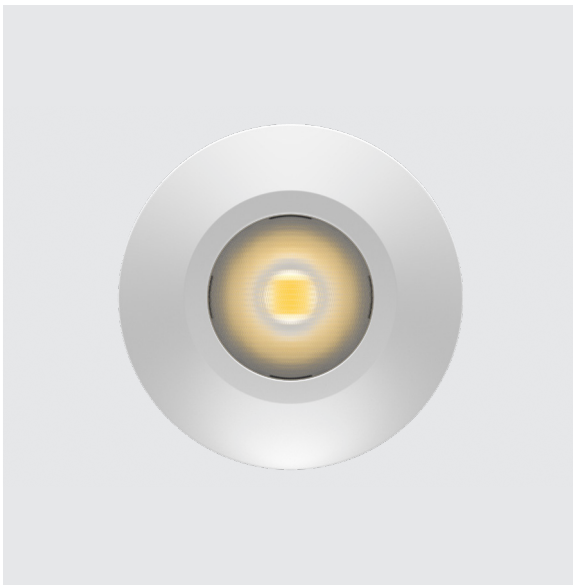
Order example
Esempio ordine

- **TM WW27 DRPWM**

TOP Mini, Warm White 2700,
Converter 24 V DC

TOP Mini, Warm White 2700,
Convertitore 24 V DC

TOP Mini Lens



Body Corpo

Aluminium spot

Spot in alluminio

Fastening Fissaggio	Pressure	A pressione
Optics Ottiche	14° • 20° • 25° • 38° • 44° • 62°	14° • 20° • 25° • 38° • 44° • 62°
Wiring set Cavo alimentazione	1500 mm • 59,06 "	1500 mm
Finishing Finitura	<ul style="list-style-type: none"> ● Grey anodized ● Black anodized ○ White varnish ● Galvanica oro 	<ul style="list-style-type: none"> ● Anodica grigia ● Anodica nera ○ Vernice bianca ● Galvanica oro

Listings and marks

Certificazioni e marchi

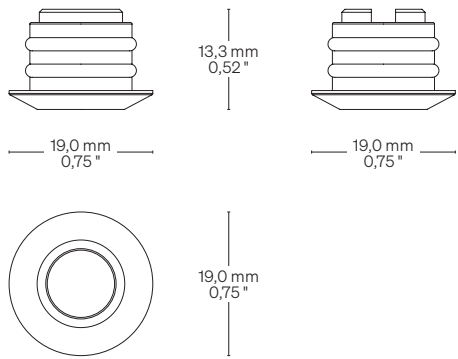


Light Luce

Light source Sorgente luminosa	LED ↓ Series/In serie V CC: 1,0 W	LED ↓ Parallel/In parallelo V DC: 1,1 W
CCT K	<ul style="list-style-type: none"> ● 2700 K ● 3000 K ● 3500 K ● 4000 K ● 5000 K 	<ul style="list-style-type: none"> ● 2700 K ● 3000 K ● 3500 K ● 4000 K ● 5000 K
CRI R9 Rf @ 3000 K Rg @ 3000 K MacAdam ellipse	Min 90 Min 80 96 103 2	Min 90 Min 80 96 103 2
Luminous flux Flusso luminoso ● 3000 K	115 lm @ 350mA	115 lm @ 24 V DC
Input voltage/current Tensione/Corrente di ingresso	3 V CC @ 350mA	24 V DC

Dimensions Dimensioni

Scale/Scala 1:1

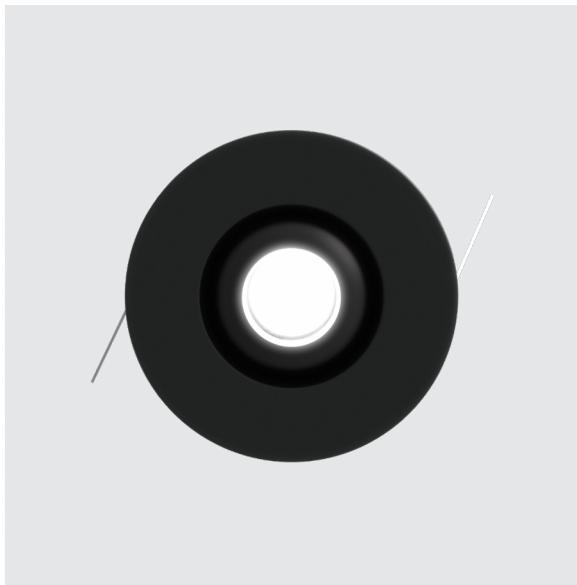
**Fastening options** Opzioni di fissaggio

Hole size: \varnothing 14,0 mm • \varnothing 0,55 "
 Dimensione foro: \varnothing 14,0 mm

Order code Codice ordine

Basic codes Codici base	TML	TOP Mini Lens
CCT K CCT K	<ul style="list-style-type: none"> WW27 ● 2700 WW30 ● 3000 NW35 ● 3500 NW ● 4000 CW ● 5000 	
Optics Ottiche	<ul style="list-style-type: none"> 14 ● 14° 20 ● 20° 25 ● 25° 38 ● 38° 44 ● 44° 62 ● 62° 	
Accessories Accessori	<ul style="list-style-type: none"> DRPWM ● Converter 24 V DC/ Convertitore 24 V DC DRDC ● Converter 24 V DC - Potential different dimmer Convertitore 24 V DC - Dimmerabile in tensione 	
Order example Esempio ordine	<ul style="list-style-type: none"> TML WW27 14 DRPWM 	<p>TOP Mini Lens, Warm White 2700, 14° Optics, Converter 24 V DC</p> <p>TOP Mini Lens, Warm White 2700, Ottica 14°, Convertitore 24 V DC</p>

TOP Mini Lens Adjustable



Body Corpo

Aluminium spot adjustable ($\pm 15^\circ$ & 360°)

Spot in alluminio orientabile ($\pm 15^\circ$ & 360°)

Fastening Fissaggio	Pressure	A pressione
Optics Ottiche	14° • 20° • 25° • 38° • 44° • 62°	14° • 20° • 25° • 38° • 44° • 62°
Wiring set Cavo alimentazione	1500 mm • 59,06 "	1500 mm
Finishing Finitura	<ul style="list-style-type: none"> ● Grey anodized ● Black anodized → On request other finishes 	<ul style="list-style-type: none"> ● Anodica grigia ● Anodica nera → Su richiesta altre finiture

Listings and marks

Certificazioni e marchi

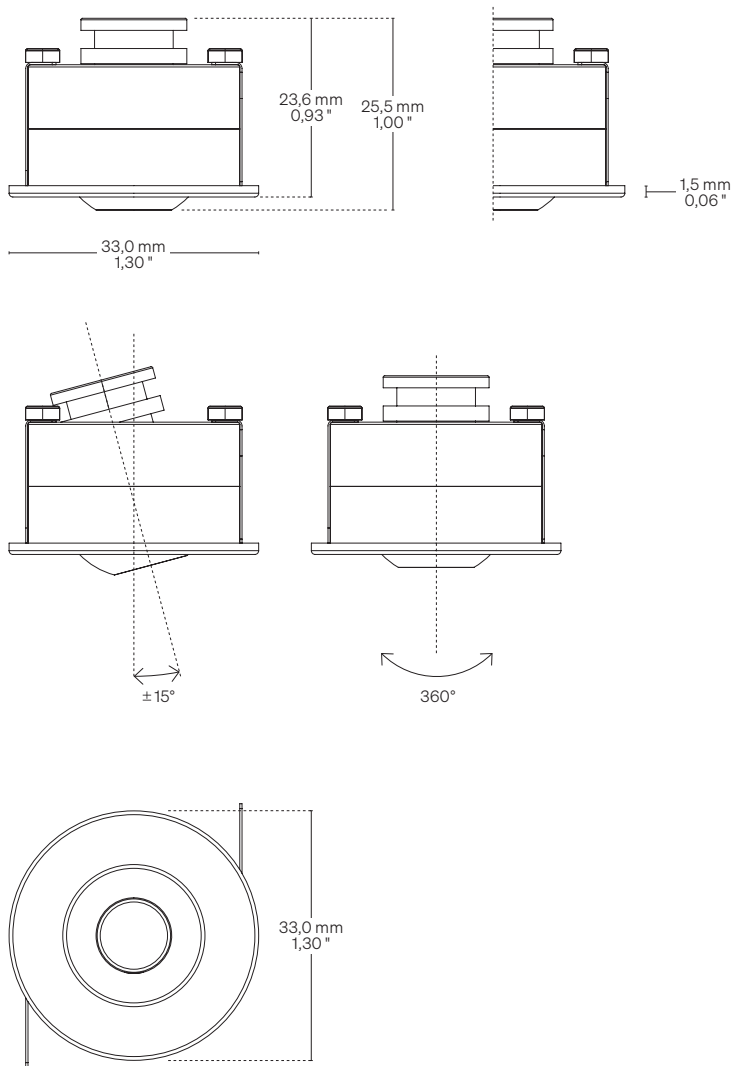


Light Luce

Light source Sorgente luminosa	LED ↓ Series/In serie V CC: 1,0 W	LED ↓ Parallel/In parallelo V DC: 1,1 W
CCT K	<ul style="list-style-type: none"> ● 2700 K ● 3000 K ● 3500 K ● 4000 K ● 5000 K 	<ul style="list-style-type: none"> ● 2700 K ● 3000 K ● 3500 K ● 4000 K ● 5000 K
CRI R9 Rf @ 3000 K Rg @ 3000 K MacAdam ellipse	Min 90 Min 80 96 103 2	Min 90 Min 80 96 103 2
Luminous flux Flusso luminoso ● 3000 K	115 lm @ 350mA	115 lm @ 24 V DC
Input voltage/current Tensione/Corrente di ingresso	3 V CC @ 350mA	24 V DC

Dimensions Dimensioni

Scale/Scala 1:1



Fastening options Opzioni di fissaggio



Hole size: $\varnothing 30,0 \text{ mm} \cdot \varnothing 1,18 \text{ ''}$
Dimensione foro: $\varnothing 30,0 \text{ mm}$

Order code Codice ordine

Basic codes Codici base	• TMLA TOP Mini Lens Adjustable
CCT K CCT K	• WW27 ● 2700 WW30 ● 3000 NW35 ● 3500 NW ● 4000 CW ● 5000
Optics Ottiche	• 14 14° 20 20° 25 25° 38 38° 44 44° 62 62°
Accessories Accessori	• DRPWM Converter 24 V DC/ Convertitore 24 V DC DRDC Converter 24 V DC - Potential different dimmer Convertitore 24 V DC - Dimmerabile in tensione
Order example Esempio ordine	• TMLA WW27 20 DRPWM TOP Mini Lens Adjustable, Warm White 2700, 14° Optics, Converter 24 V DC TOP Mini Lens Adjustable, Warm White 2700, Ottica 14°, Convertitore 24 V DC

Blues XS Chain



Body Corpo

Spotlight, Chain Spotlight, Catenaria

Fastening Fissaggio	With magnets	Con magneti
Optics Ottiche	14° • 20° • 25° • 38° • 44° • 62°	14° • 20° • 25° • 38° • 44° • 62°
Wiring set Cavo alimentazione	1500 mm • 59,06 "	1500 mm
Finishing Finitura	<input type="radio"/> Grey anodized <input checked="" type="radio"/> Black anodized	<input type="radio"/> Anodica grigia <input checked="" type="radio"/> Anodica nera

Listings and marks Certificazioni e marchi

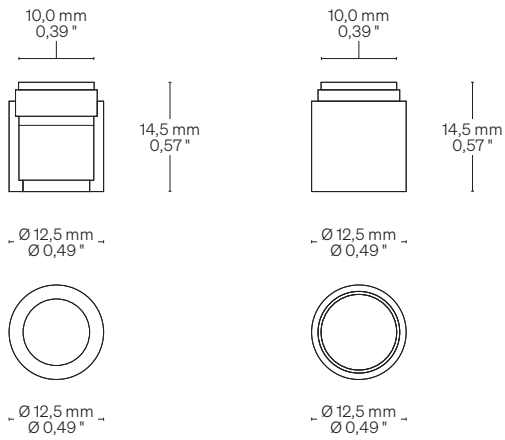


Light Luce

Light source Sorgente luminosa	LED 1,1 W
CCT K	<input checked="" type="radio"/> 2700 K <input type="radio"/> 3000 K <input type="radio"/> 3500 K <input type="radio"/> 4000 K <input type="radio"/> 5000 K
CRI	Min 90
R9	Min 80
Rf @ 3000 K	96
Rg @ 3000 K	103
MacAdam ellipse	2
Luminous flux Flusso luminoso <input checked="" type="radio"/> 3000 K	115 lm @ 350 mA
Input voltage Tensione di ingresso	24 V DC

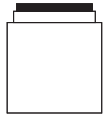
Dimensions Dimensioni

Scale/Scala 1:1

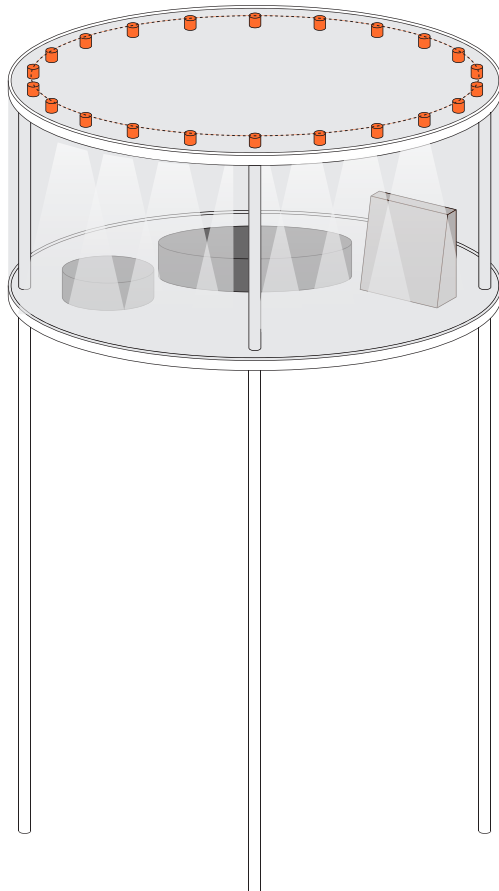


Fastening options Opzioni di fissaggio

M With magnets
Con magneti



Suggested use Utilizzo suggerito



Order code Codice ordine

Basic codes Codici base	• BLXS	Blues XS Chain
CCT K CCT K	• WW27 WW30 NW35 NW CW	• 2700 K • 3000 K • 3500 K • 4000 K • 5000 K
Optics Ottiche	• 14 20 25 38 44 62	• 14° • 20° • 25° • 38° • 44° • 62°
Fastening options Opzioni di fissaggio	• M	• Magnets Magneti
Order example Esempio ordine	• BLXS WW27 14	• Blues XS Chain, Warm White 2700, 14° Optics • Blues XS Chain, Warm White 2700, Ottica 14°

4807 Bridge



Sharp Angled

Body Corpo

Linear light fixed on vertical bars

Profilo lineare fissato su montanti

Fastening Fissaggio	Laying on plane + Magnets	In appoggio + Magneti
Screen Schermo	Transparent TR5 (Screening 7%) Opal OP50 (Screening 50%) OP50E (Opal 50 with eyelid)	Trasparante TR5 (Scherm. 7%) Opale OP50 (Scherm. 50%) OP50E (Opale 50 con palpebra)
Wiring set Cavo alimentazione	2000 mm • 78,74 "	2000 mm
Custom size Lunghezza ordinabile	Max 1200 mm • 47,24 "	Max 1200 mm
Finishing Finitura	<ul style="list-style-type: none"> ● Grey anodized ● Black anodized ● Bronze finishing 	<ul style="list-style-type: none"> ● Anodica grigia ● Anodica nera ● Finitura bronzo

Listings and marks

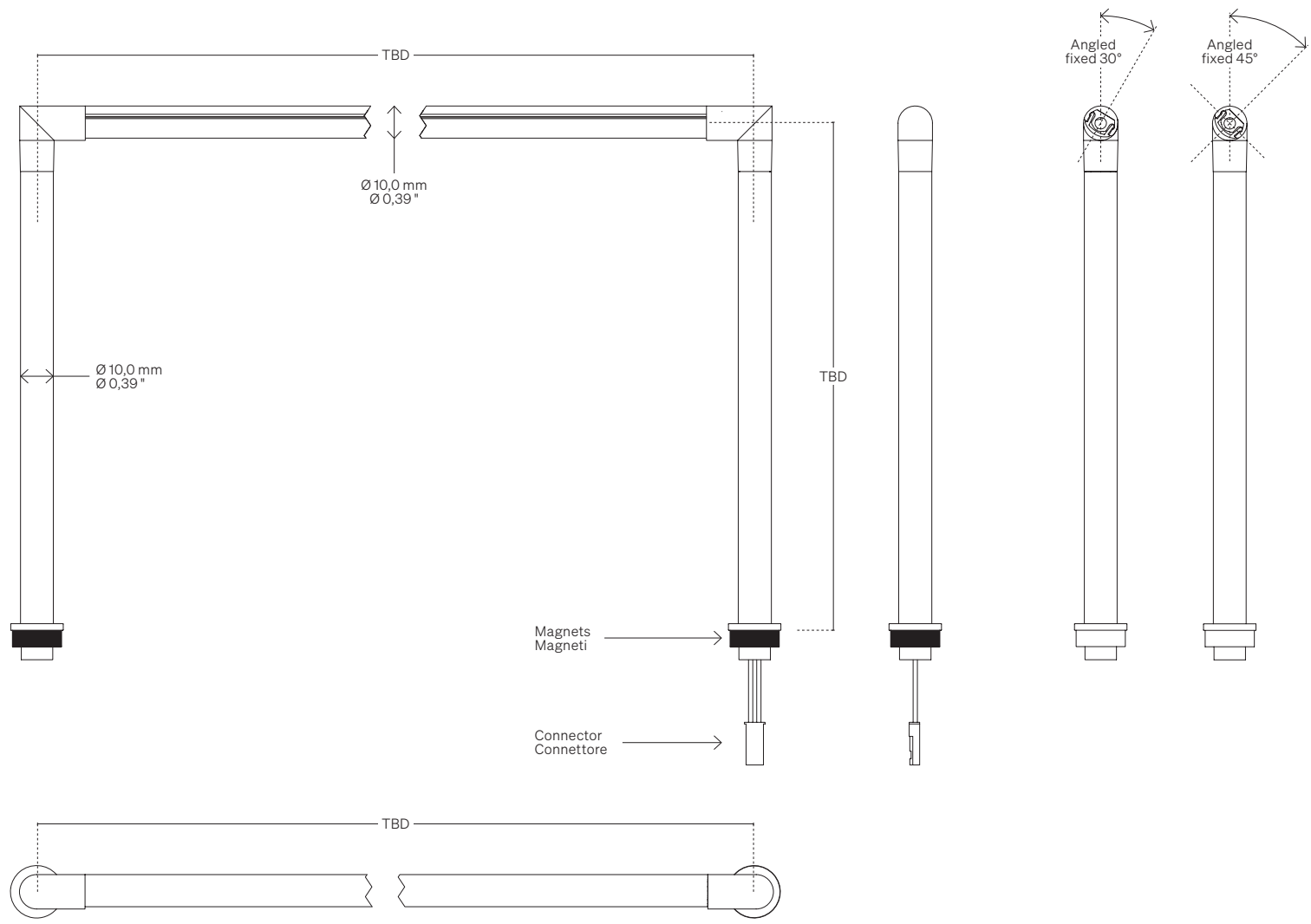
Certificazioni e marchi



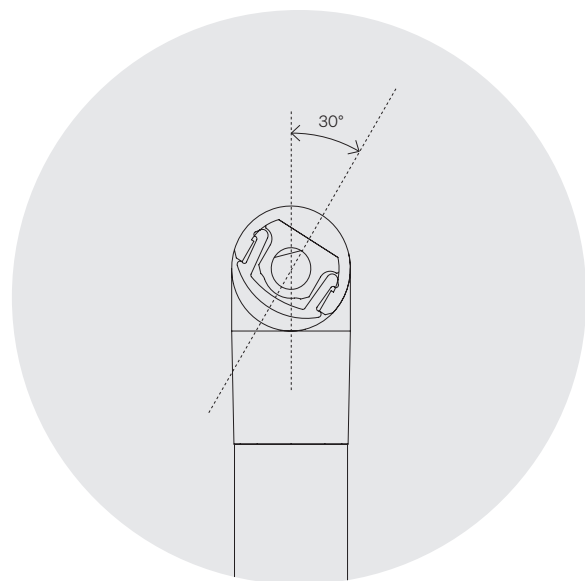
Light Luce

Light source Sorgente luminosa	182 LED/m • 56 LED/ft	182 LED/m • 56 LED/ft
Power consumption Consumo energia	9,5 W/m • 2,9 W/ft	15,7 W/m • 4,8 W/ft
CCT K	<ul style="list-style-type: none"> ● 2700 K ● 3000 K ● 3500 K ● 4000 K ● 5000 K 	<ul style="list-style-type: none"> ● 2700 K ● 3000 K ● 3500 K ● 4000 K ● 5000 K
Mixing on demand Miscelazione su richiesta		
CRI R9 Rf @ 3000 K Rg @ 3000 K MacAdam ellipse	Min 90 Min 50 92 100 3	Min 90 Min 50 92 100 3
Luminous flux Flusso luminoso ● 3000 K	↓ OP50 – 70 lm/W 670 lm/m • 204 lm/ft	↓ OP50 – 70 lm/W 1107 lm/m • 337 lm/ft
Input voltage Tensione di ingresso	24 V DC	24 V DC

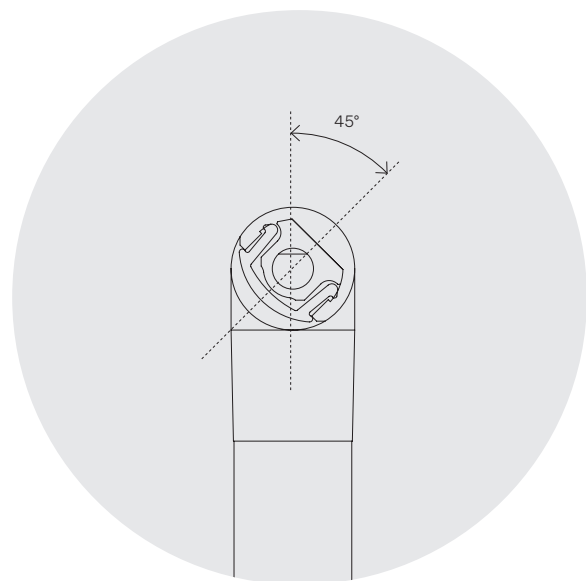




Angled fixed 30° Angolo fisso 30°

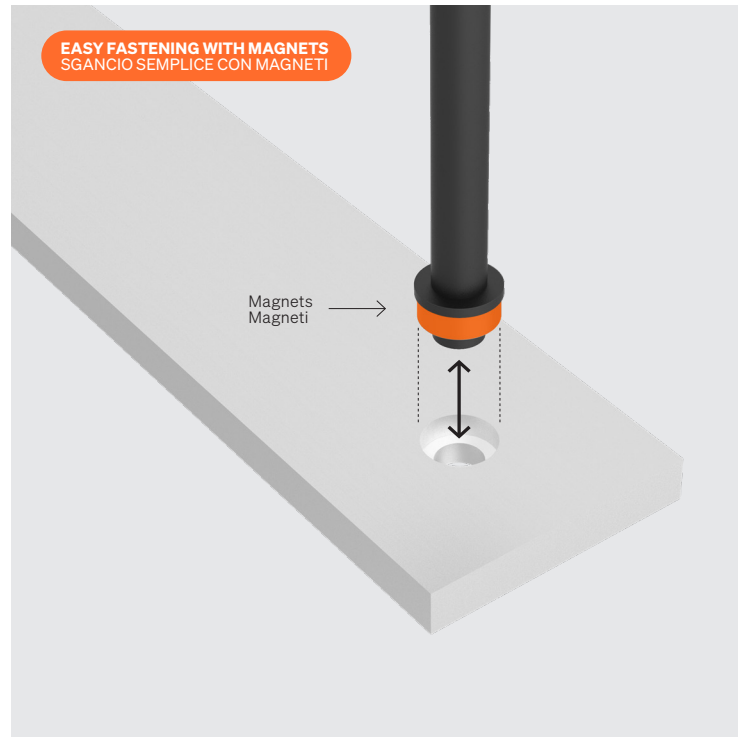



Angled fixed 45° Angolo fisso 45°

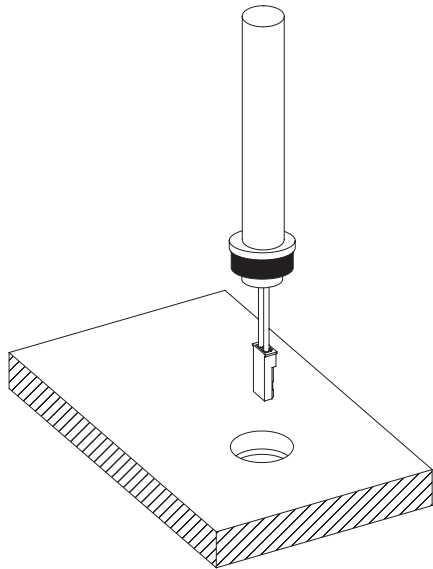


Fastening options Opzioni di fissaggio

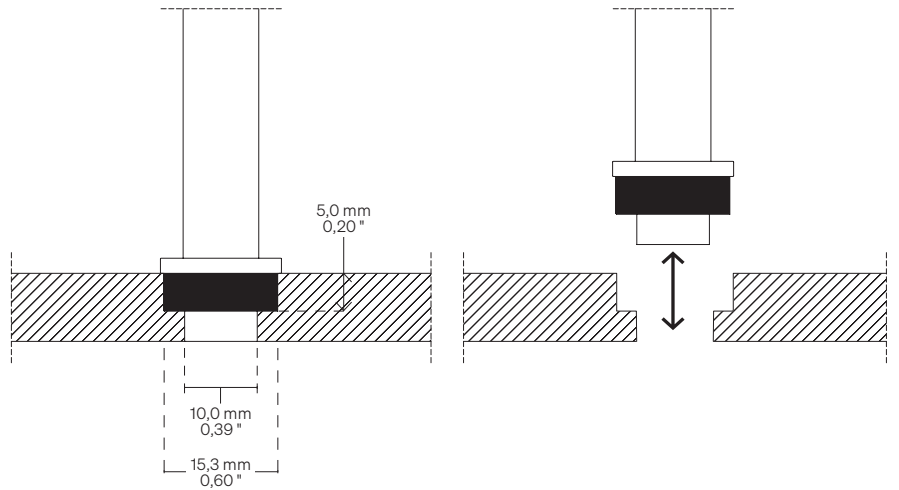
- M** With magnets inside the base
Con magneti all'interno della base

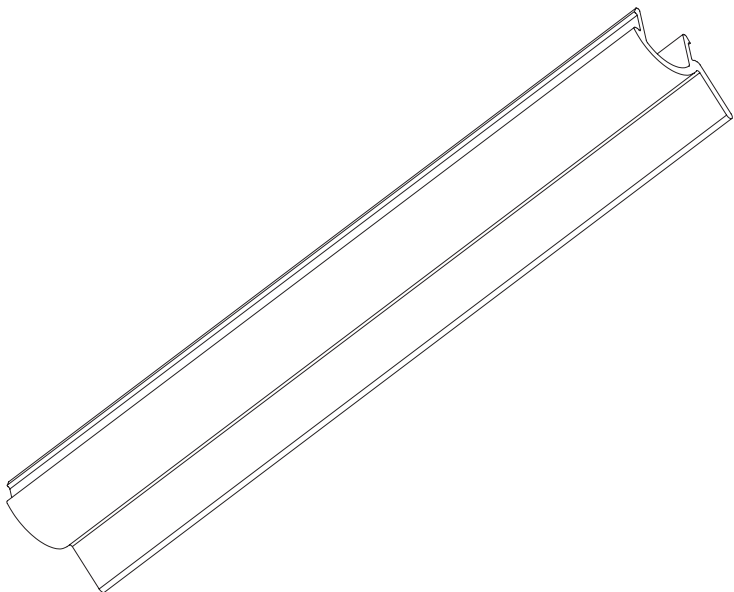


-  Hole size: $\varnothing 10,0 \sim 15,0 \text{ mm}$ • $\varnothing 0,39 \sim 0,59 \text{ ''}$
Dimensione foro: $\varnothing 10,0 \sim 15,0 \text{ mm}$



- EASY FASTENING WITH MAGNETS**
SGANCIO SEMPLICE CON MAGNETI

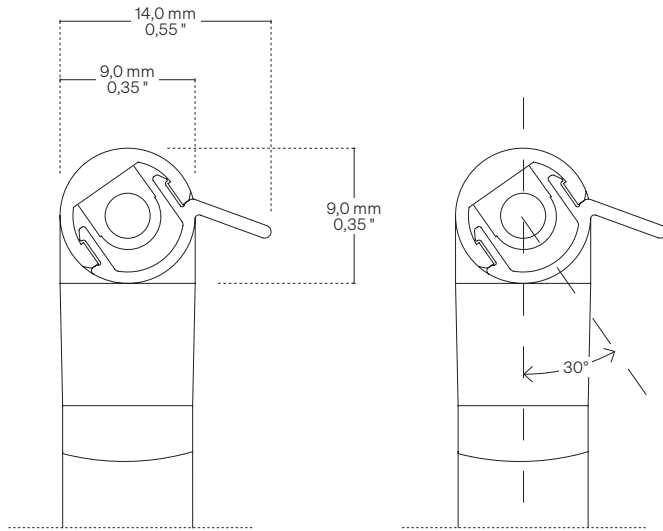




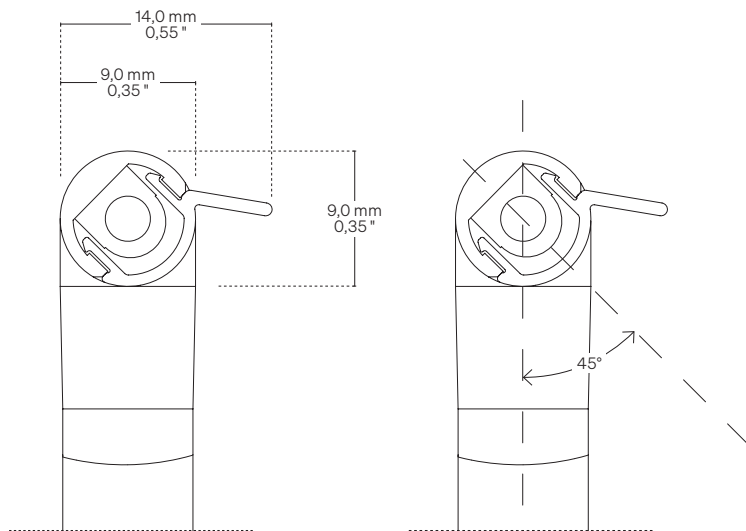
Eyelid dimensions Dimensioni palpebra

Scale/Scala 2:1

Angled fixed 30°
Angolo fisso 30°



Angled fixed 45°
Angolo fisso 45°



Eyelid detail (Scale 1:1)

Dettaglio palpebra (Scala 1:1)



Order code Codice ordine

Basic code
Codice baset

- **4807F1829** 4807 Bridge
182 LED/m • 56 LED/ft
9,5 W/m • 2,9 W/ft
- **4807F18215** 4807 Bridge
182 LED/m • 56 LED/ft
15,7 W/m • 4,8 W/ft

CCT K
CCT K

- **WW27** ● 2700 K
- **WW30** ● 3000 K
- **NW35** ● 3500 K
- **NW** ● 4000 K
- **CW** ● 5000 K

Fastening options
Opzioni di fissaggio

- **M** Magnets
Magneti

Screen
Schermo

- **TR5** Transparent/Trasparente 5
- **OP50** Opal/Opale 50
- **OP50E** Opal 50 with Eyelid
Opal 50 con palpebra

Angled fixed
Angolo fisso

- **30** Angled fixed 30°
Angolo fisso 30°
- **45** Angled fixed 45°
Angolo fisso 45°

Order example
Esempio ordine

- **4807F1829 WW27 M TR5 30**
4807 Bridge, 182 LED/m • 56 LED/ft,
9,5 W/m • 2,9 W/ft, Warm White 2700,
Magnets, Transparent 5, Angled fixed 30°
- 4807 Bridge, 182 LED/m, 9,5 W/m,
Warm White 2700, Magneti,
Trasparente 5, Angled fisso 30°

LOOP Side & Top Bend



Body Corpo

Flexible Strip LED

Strip LED flessibile

Fastening Fissaggio	Steel clips U metal trim	Clip in acciaio Profilo metallico U
Screen Schermo	Polyurethane resin. Opal	Resina poliuretana. Opale
Wiring set Cavo alimentazione	2000 mm • 78,74"	2000 mm
Custom size Lunghezza ordinabile	Up to 3000 mm • 118,11" with one power supply. Power supply on both ends for lengths over than 3000 mm • 118,11"	Fino a 3000 mm con unica alimentazione. Alimentazione su entrambe le estremità per lunghezze oltre i 3000 mm
Finishing Finitura	○ White	○ Bianca

Listings and marks

Certificazioni e marchi



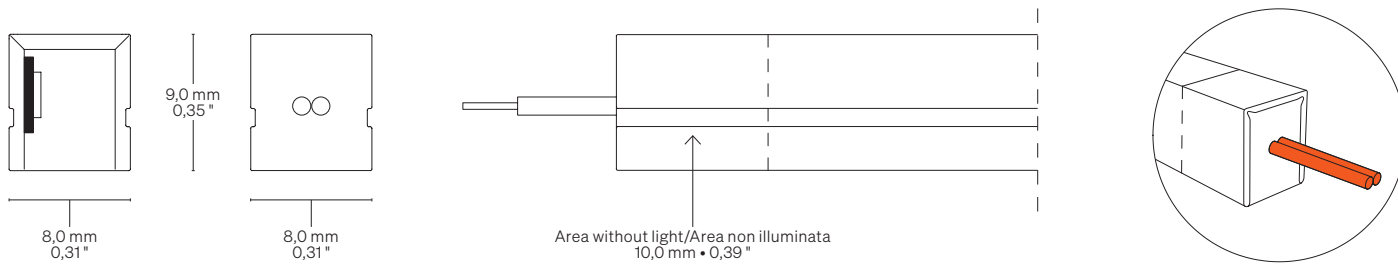
Light Luce

Light source Sorgente luminosa	144 LED/m • 44 LED/ft	144 LED/m • 44 LED/ft	144 LED/m • 44 LED/ft
Power consumption Consumo energia	5,0 W/m • 1,5 W/ft	10,0 W/m • 3,1 W/ft	14,0 W/m • 4,27 W/ft
CCT K Mixing on demand Miscelazione su richiesta	<ul style="list-style-type: none"> ● 2700 K ● 3000 K ● 3500 K ● 4000 K ● 5000 K 	<ul style="list-style-type: none"> ● 2700 K ● 3000 K ● 3500 K ● 4000 K ● 5000 K 	<ul style="list-style-type: none"> ● 2700 K ● 3000 K ● 3500 K ● 4000 K ● 5000 K
CRI R9 Rf @ 3000 K Rg @ 3000 K MacAdam ellipse	Min 90 Min 50 92 102 3	Min 90 Min 50 92 102 3	Min 90 Min 50 92 102 3
Luminous flux (Side Bend) Flusso luminoso (Side Bend) ● 3000 K	72 lm/W 361 lm/m • 110 lm/ft	63 lm/W 630 lm/m • 192 lm/ft	66 lm/W 928 lm/m • 283 lm/ft
Luminous flux (Top Bend) Flusso luminoso (Top Bend) ● 3000 K	77 lm/W 385 lm/m • 117 lm/ft	68 lm/W 680 lm/m • 207 lm/ft	66 lm/W 990 lm/m • 302 lm/ft
Input voltage Tensione di ingresso	24 V DC	24 V DC	24 V DC

LOOP Side Bend

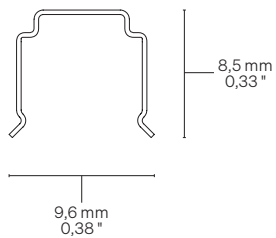
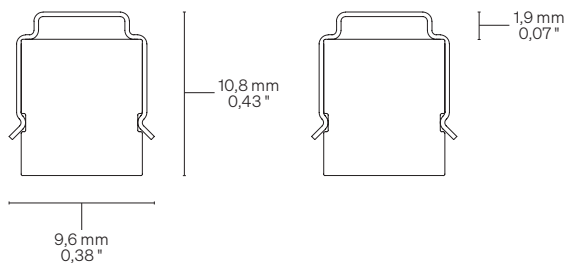
Dimensions Dimensioni

Scale/Scala 2:1

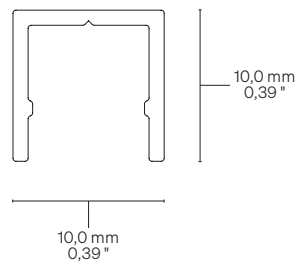
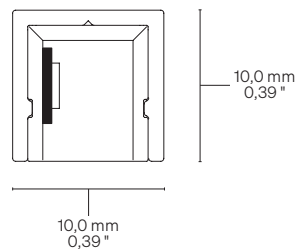


Fastening options Opzioni di fissaggio

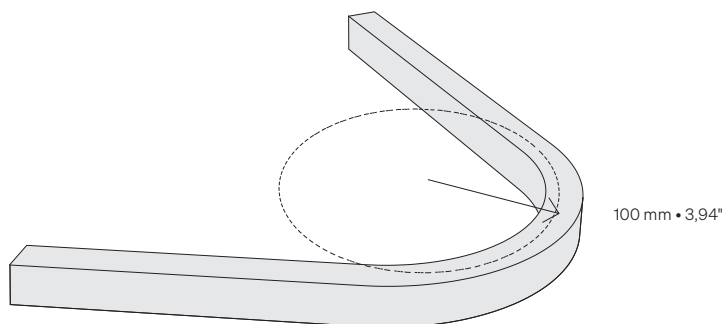
C Steel clips → Use for furniture with curved lines
Clip in acciaio → Utilizzare per arredi con linee curve



U U metal trim → Use for furniture with straight lines
Profilo metallico U → Utilizzare per arredi con linee dritte

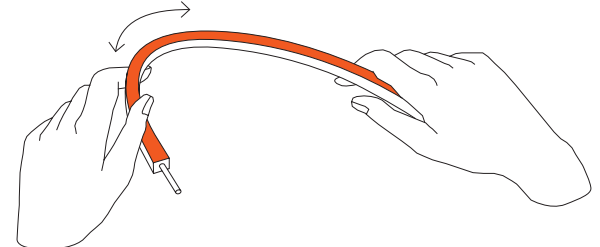


Curvature radius Raggio di curvatura

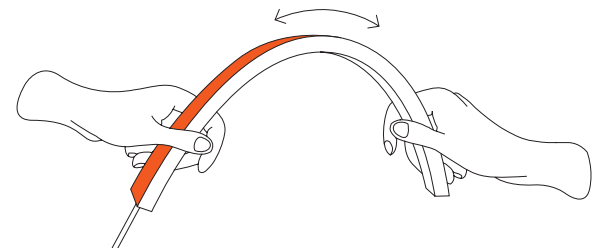


Curvature radius Raggio di curvatura

OK Orange zone → Light emission
Zona arancio → Emissione luce



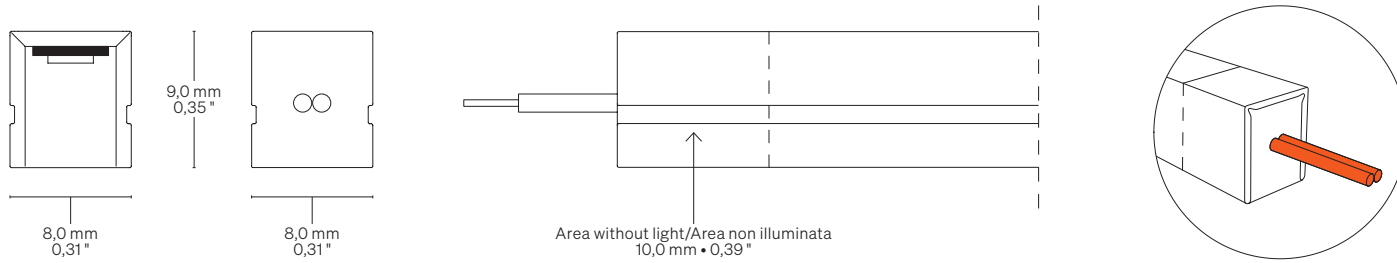
NO Orange zone → Light emission
Zona arancio → Emissione luce



LOOP Top Bend

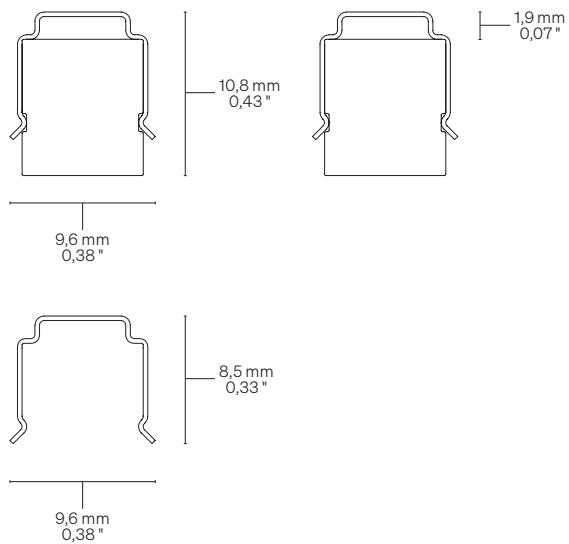
Dimensions Dimensioni

Scale/Scala 2:1

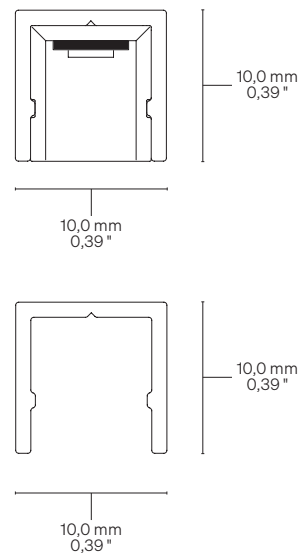


Fastening options Opzioni di fissaggio

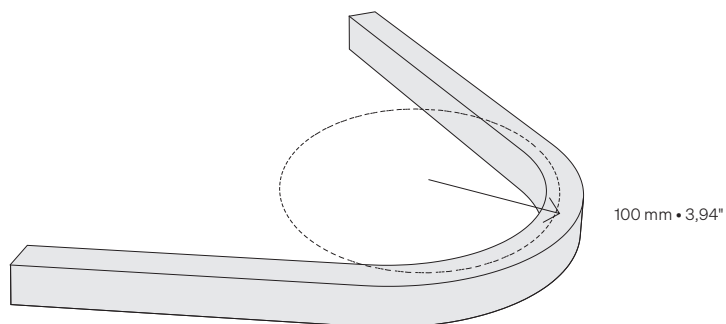
C Steel clips → Use for furniture with curved lines
Clip in acciaio → Utilizzare per arredi con linee curve



U U metal trim → Use for furniture with straight lines
Profilo metallico U → Utilizzare per arredi con linee dritte

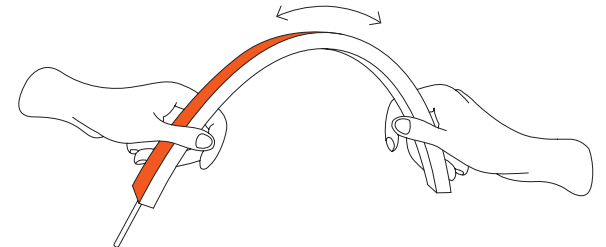


Curvature radius Raggio di curvatura

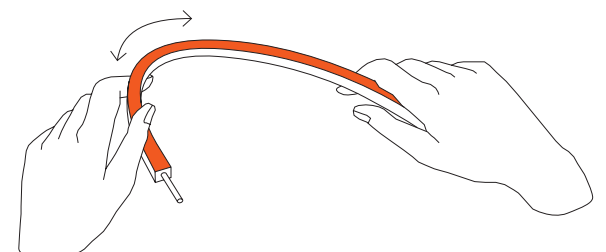


Curvature radius Raggio di curvatura

OK Orange zone → Light emission
Zona arancio → Emissione luce



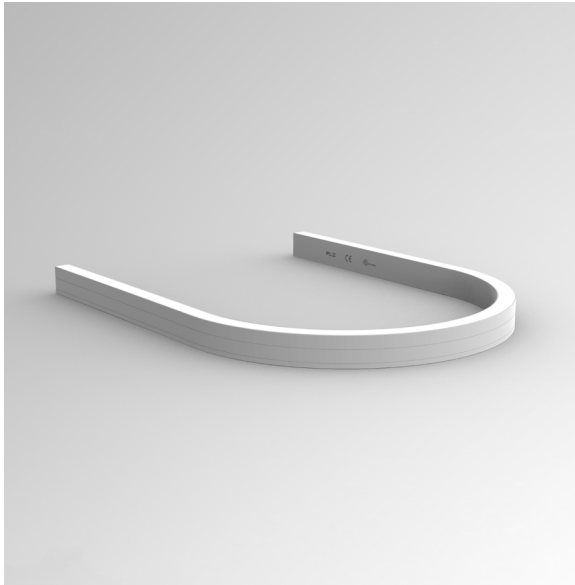
NO Orange zone → Light emission
Zona arancio → Emissione luce



Order code Codice ordine	
Basic codes Codici base	<ul style="list-style-type: none"> • LOSBF1445 LOOP Side Bend 144 LED/m • 44 LED/ft 5,0 W/m • 1,5 W/ft • LOSBF14410 LOOP Side Bend 144 LED/m • 44 LED/ft 10,0 W/m • 3,1 W/ft • LOSBF14414 LOOP Side Bend 144 LED/m • 44 LED/ft 14,0 W/m • 4,27 W/ft
CCT K CCT K	<ul style="list-style-type: none"> • WW27 ● 2700 K • WW30 ● 3000 K • NW35 ● 3500 K • NW ● 4000 K • CW ● 5000 K
Cable outlet Uscita cavo	<ul style="list-style-type: none"> • A A → Front/Frontale • B B → Peak/Superiore • S S → Side/Laterale
Fastening options Opzioni di fissaggio	<ul style="list-style-type: none"> • C Steel clips Clip in acciaio • U U metal trim Profilo metallico U
Custom size Lunghezza ordinabile	<ul style="list-style-type: none"> • -- Specify the size Specificare la misura
Order example Esempio ordine	<ul style="list-style-type: none"> • LOSBF1445 WW27 A C • 0,32 LOOP Side Bend, 144 LED/m • 44 LED/ft, 5,0 W/m • 1,5 W/ft, Warm White 2700, Front side cable outlet, Steel clips • 0,32 m LOOP Side Bend, 144 LED/m, 5,0 W/m, Warm White 2700, Uscita cavo lato frontale, Clip in acciaio • 0,32 m

Order code Codice ordine	
Basic codes Codici base	<ul style="list-style-type: none"> • LOTBF1445 LOOP Top Bend 144 LED/m • 44 LED/ft 5,0 W/m • 1,5 W/ft • LOTBF14410 LOOP Top Bend 144 LED/m • 44 LED/ft 10,0 W/m • 3,1 W/ft • LOTBF14414 LOOP Top Bend 144 LED/m • 44 LED/ft 14,0 W/m • 4,27 W/ft
CCT K CCT K	<ul style="list-style-type: none"> • WW27 ● 2700 K • WW30 ● 3000 K • NW35 ● 3500 K • NW ● 4000 K • CW ● 5000 K
Cable outlet Uscita cavo	<ul style="list-style-type: none"> • A A → Front/Frontale • B B → Peak/Superiore • S S → Side/Laterale
Fastening options Opzioni di fissaggio	<ul style="list-style-type: none"> • C Steel clips Clip in acciaio • U U metal trim Profilo metallico U
Custom size Lunghezza ordinabile	<ul style="list-style-type: none"> • -- Specify the size Specificare la misura
Order example Esempio ordine	<ul style="list-style-type: none"> • LOTBF1445 WW27 A C • 0,32 LOOP Top Bend, 144 LED/m • 44 LED/ft, 5,0 W/m • 1,5 W/ft, Warm White 2700, Front side cable outlet, Steel clips • 0,32 m LOOP Top Bend, 144 LED/m, 5,0 W/m, Warm White 2700, Uscita cavo lato frontale, Clip in acciaio • 0,32 m

TOOL Side Bend



Body Corpo

Flexible Strip LED Side Bend

Strip LED flessibile Side Bend

Fastening Fissaggio	Steel clips U metal trim	Clip in acciaio Profilo metallico U
Screen Schermo	Polyurethane resin. Opal	Resina poliuretanic. Opale
Custom size Lunghezza ordinabile	→ 10 m • 32,8 ft reel with power cables at both ends. Bobina 10 m con cavi di aliment. in entrambe le estremità. → Custom size (Up to 5 m • 16,40 ft with one power supply). Lunghezza custom (Fino a 5 m con unica alimentazione).	
Finishing Finitura	○ White	○ Bianca

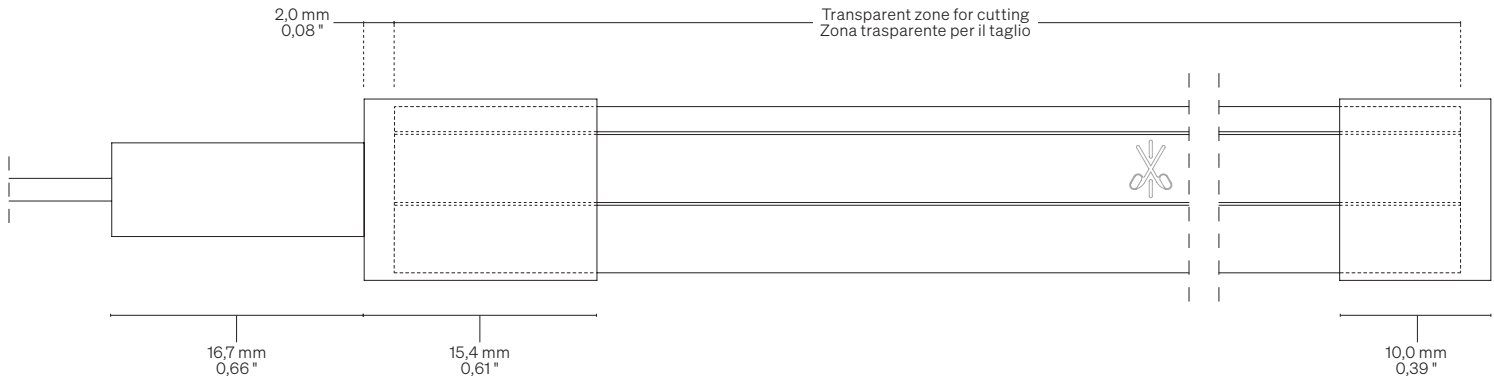
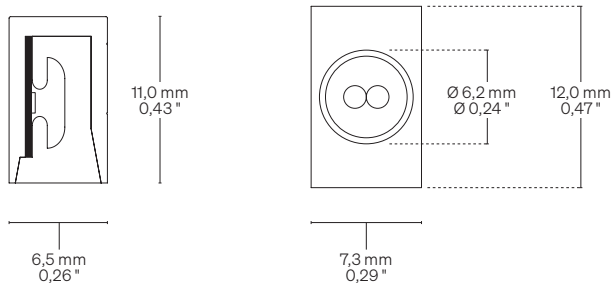
Listings and marks

Certificazioni e marchi

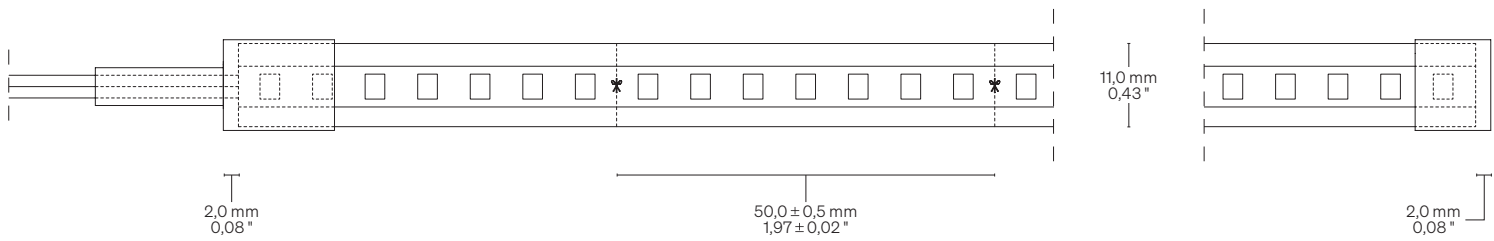


Light Luce

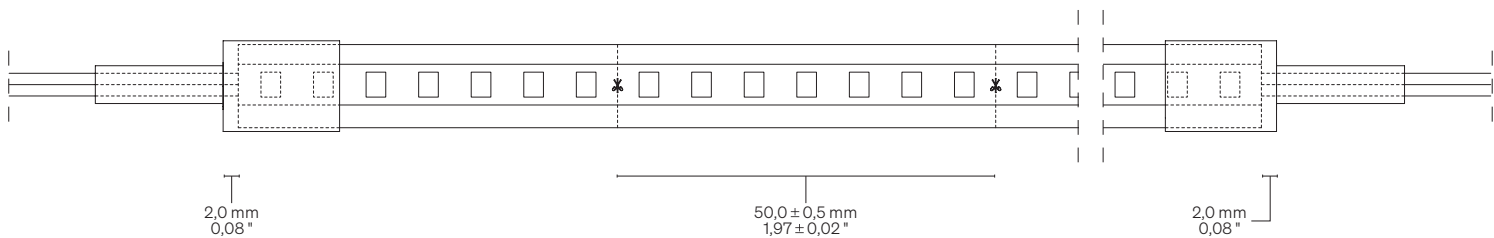
Light source Sorgente luminosa	140 LED/m • 43 LED/ft
Power consumption Consumo energia	14,4 W/m • 4,4 W/ft
CCT K	● 2700 K ● 3000 K ● 3500 K
CRI R9	Min 90 Min 80
Luminous flux Flusso luminoso ● 3000 K	618 lm/m • 188 lm/ft
Input voltage Tensione di ingresso	24 V DC



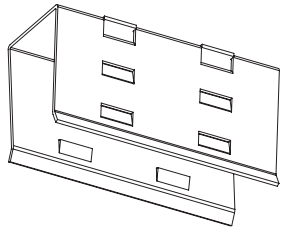
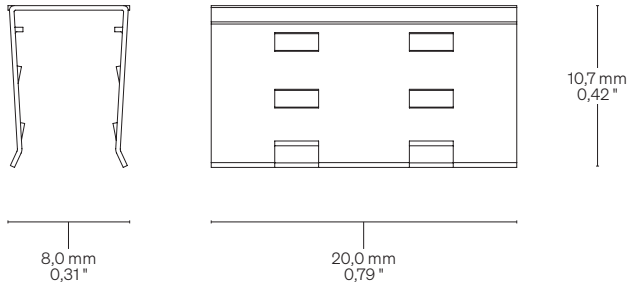
- 1 Up to 5 m • 16,40 ft with one power supply
Fino a 5 m con unica alimentazione



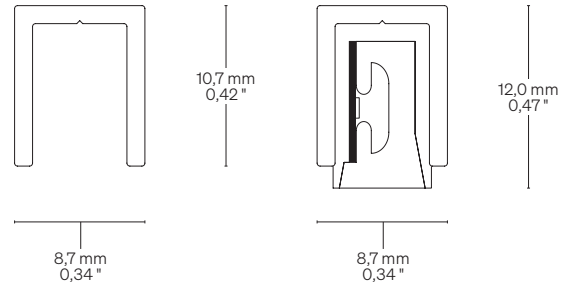
- 2 From 5 to 10 m • From 16,40 to 32,80 ft with dual power supply
Da 5 a 10 m con doppia alimentazione



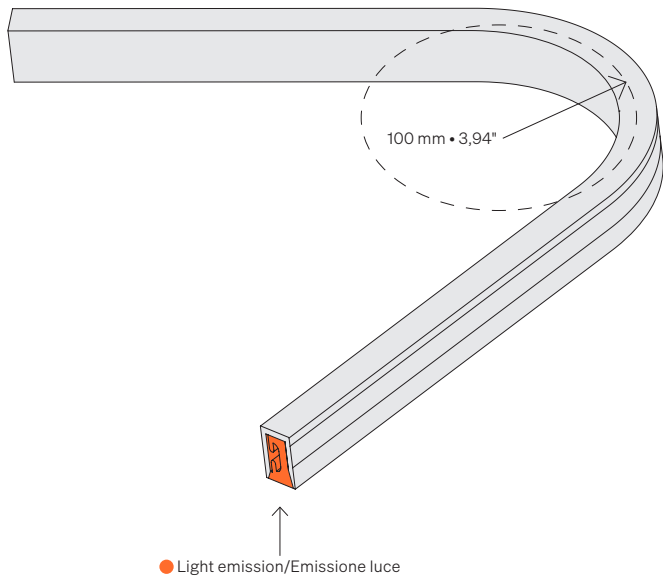
TOC Steel clips → Use for furniture with curved lines
 Clip in acciaio → Utilizzare per arredi con linee curve



TOU U metal trim → Use for furniture with straight lines
 Profilo metallico U → Utilizzare per arredi con linee dritte

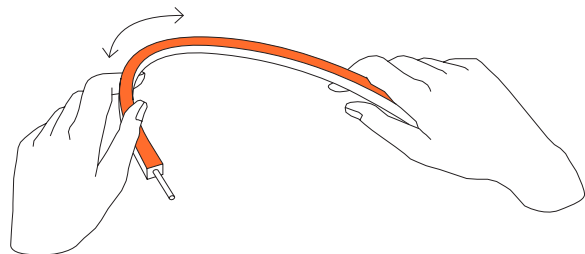


Curvature radius Raggio di curvatura

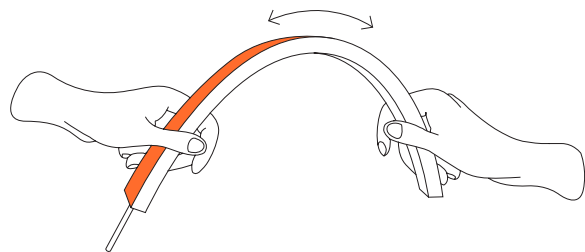


Curvature radius Raggio di curvatura

OK Orange zone → Light emission
 Zona arancio → Emissione luce



NO Orange zone → Light emission
 Zona arancio → Emissione luce



Order code Codice ordine**Code for customised order**

Codice relativo all'ordine su misura

Basic codes

Codici base

- **TOSBF14014** TOOL Side Bend
140 LED/m • 43 LED/ft
14,4 W/m • 4,4 W/ft

CCT K

CCT K

- **WW27** ● 2700 K
- **WW30** ● 3000 K
- **NW35** ● 3500 K

Cable outlet

Uscita cavo

- **A** A → Front/Frontale

Fastening options

Opzioni di fissaggio

- **TOC** Steel clips
Clip in acciaio
- **TOU** U metal trim
Profilo metallico U

Order length

Lunghezza ordinabile

- **--** Specify the size
Specificare la misura

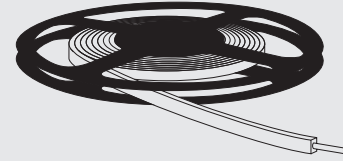
Order example

Esempio ordine

- **TOSBF14014 WW27 A TOC • 0,32**

TOOL Side Bend, 140 LED/m • 43 LED/ft,
14,4 W/m • 4,4 W/ft, Warm White 2700,
Front side cable outlet, Steel clips • 0,32 m

TOOL Side Bend, 140 LED/m, 14,4 W/m,
Warm White 2700, Uscita cavo lato
frontale, Clip in acciaio • 0,32 m

Order code Codice ordine**Code for coil**

Codice relativo all'ordine per bobina

Basic codes

Codici base

- **RTOSB14014** TOOL Side Bend
Coil/Bobina 10 m • 32,8 ft
140 LED/m • 43 LED/ft
14,4 W/m • 4,4 W/ft

CCT K

CCT K

- **WW27** ● 2700 K
- **WW30** ● 3000 K
- **NW35** ● 3500 K

Cable outlet

Uscita cavo

- **A** A → Front/Frontale

Fastening options

Opzioni di fissaggio

- **TOC** Steel clips
Clip in acciaio
- **TOU** U metal trim
Profilo metallico U

Order example

Esempio ordine

- **RTOSB14014 WW27 A TOC**

TOOL Side Bend Coil 10 m • 32,8 ft,
140 LED/m • 43 LED/ft, 14,4 W/m • 4,4 W/ft,
Warm White 2700, Front side cable outlet,
Steel clips

TOOL Side Bend Bobina 10 m, 140 LED/m,
14,4 W/m, Warm White 2700, Uscita cavo
lato frontale, Clip in acciaio

TOOL Top Bend



Body Corpo

Flexible Strip LED Top Bend

Strip LED flessibile Top Bend

Fastening Fissaggio	Steel clips U metal trim	Clip in acciaio Profilo metallico U
Screen Schermo	Polyurethane resin. Opal	Resina poliuretanic. Opale
Custom size Lunghezza ordinabile	→ 10 m • 32,8 ft reel with power cables at both ends. Bobina 10 m con cavi di aliment. in entrambe le estremità. → Custom size (Up to 5 m • 16,40 ft with one power supply). Lunghezza custom (Fino a 5 m con unica alimentazione).	
Finishing Finitura	<input type="radio"/> White	<input type="radio"/> Bianca

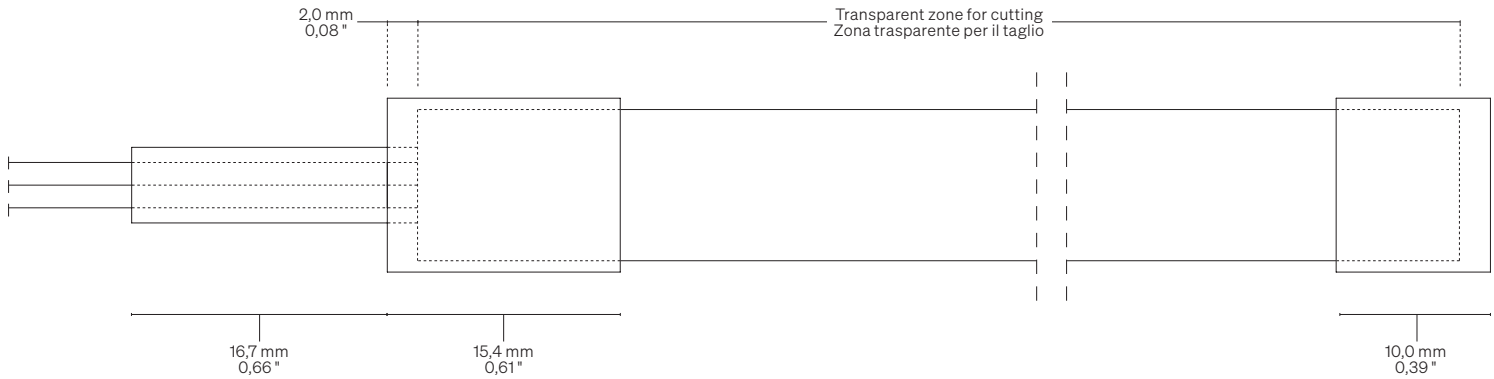
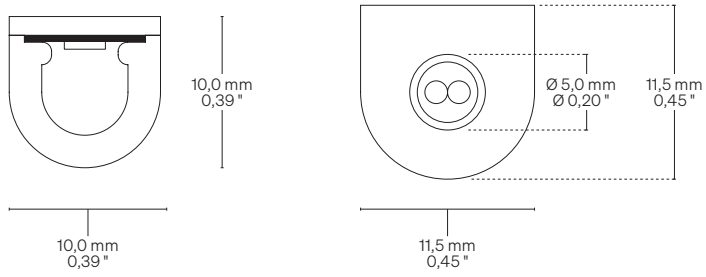
Listings and marks

Certificazioni e marchi



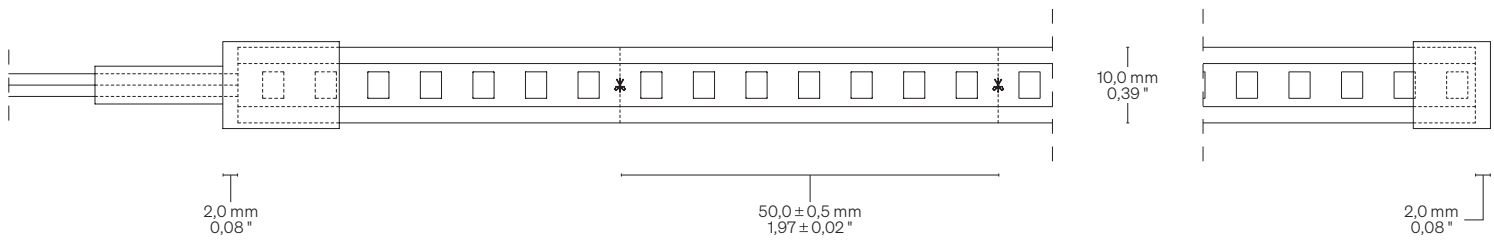
Light Luce

Light source Sorgente luminosa	140 LED/m • 43 LED/ft
Power consumption Consumo energia	14,4 W/m • 4,4 W/ft
CCT K	<input type="radio"/> 2700 K <input type="radio"/> 3000 K <input type="radio"/> 3500 K
CRI R9	Min 90 Min 80
Luminous flux Flusso luminoso <input type="radio"/> 3000 K	1380 lm/m • 420 lm/ft
Input voltage Tensione di ingresso	24 V DC

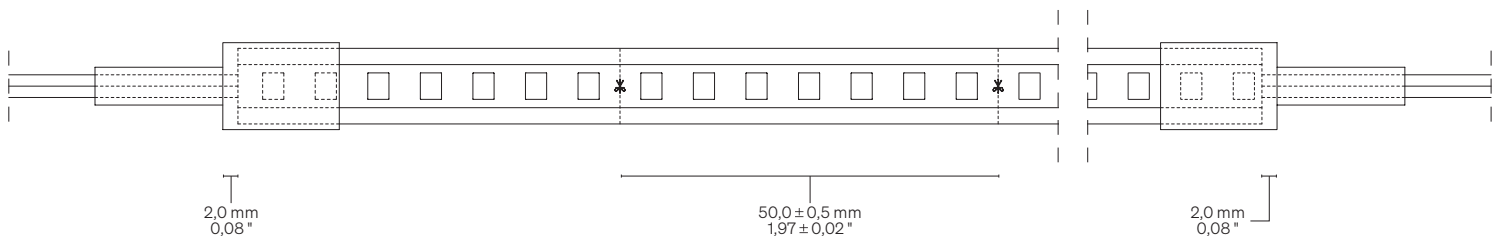


Cutting point information Informazioni segno di taglio

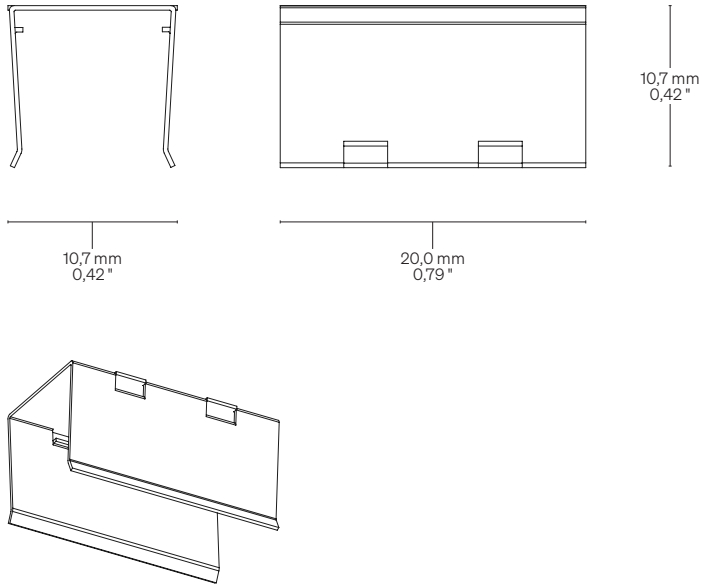
- 1 Up to 5 m • 16,40 ft with one power supply
Fino a 5 m con unica alimentazione



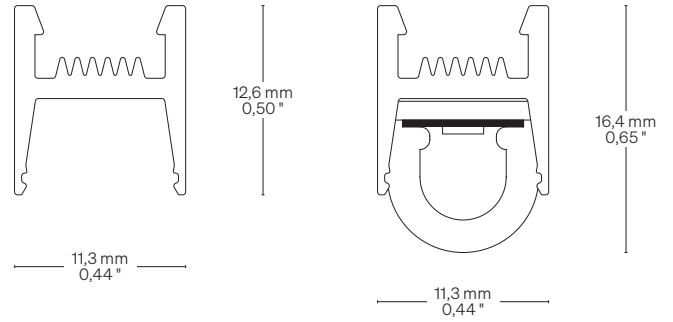
- 2 From 5 to 10 m • From 16,40 to 32,80 ft with dual power supply
Da 5 a 10 m con doppia alimentazione



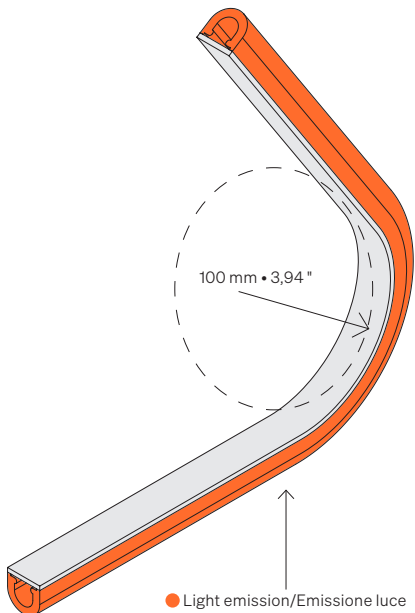
TOC Steel clips → Use for furniture with curved lines
 Clip in acciaio → Utilizzare per arredi con linee curve



TOU U metal trim → Use for furniture with straight lines
 Profilo metallico U → Utilizzare per arredi con linee dritte

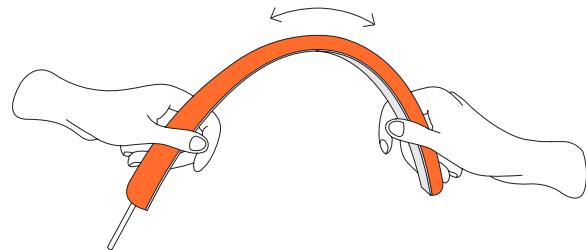


Curvature radius Raggio di curvatura

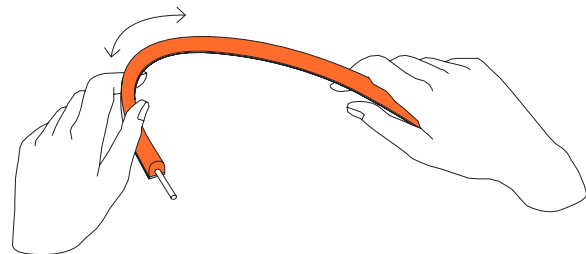


Curvature radius Raggio di curvatura

OK Orange zone → Light emission
 Zona arancio → Emissione luce



NO Orange zone → Light emission
 Zona arancio → Emissione luce



Order code Codice ordine**Code for customised order**

Codice relativo all'ordine su misura

Basic codes

Codici base

- **TOTBF14014** TOOL Top Bend
140 LED/m • 43 LED/ft
14,4 W/m • 4,4 W/ft

CCT K

CCT K

- **WW27** ● 2700 K
- **WW30** ● 3000 K
- **NW35** ● 3500 K

Cable outlet

Uscita cavo

- **A** A → Front/Frontale

Fastening options

Opzioni di fissaggio

- **TOC** Steel clips
Clip in acciaio
- **TOU** U metal trim
Profilo metallico U

Order length

Lunghezza ordinabile

- **--** Specify the size
Specificare la misura

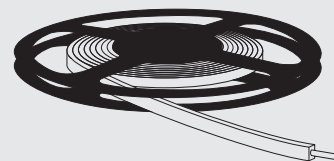
Order example

Esempio ordine

- **TOTBF14014 WW27 A TOC • 0,32**

TOOL Top Bend, 140 LED/m • 43 LED/ft,
14,4 W/m • 4,4 W/ft, Warm White 2700,
Front side cable outlet, Steel clips • 0,32 m

TOOL Top Bend, 140 LED/m, 14,4 W/m,
Warm White 2700, Uscita cavo lato
frontale, Clip in acciaio • 0,32 m

Order code Codice ordine**Code for coil**

Codice relativo all'ordine per bobina

Basic codes

Codici base

- **RTOTB14014** TOOL Top Bend
Coil/Bobina 10 m • 32,8 ft
140 LED/m • 43 LED/ft
14,4 W/m • 4,4 W/ft

CCT K

CCT K

- **WW27** ● 2700 K
- **WW30** ● 3000 K
- **NW35** ● 3500 K

Cable outlet

Uscita cavo

- **A** A → Front/Frontale

Fastening options

Opzioni di fissaggio

- **TOC** Steel clips
Clip in acciaio
- **TOU** U metal trim
Profilo metallico U

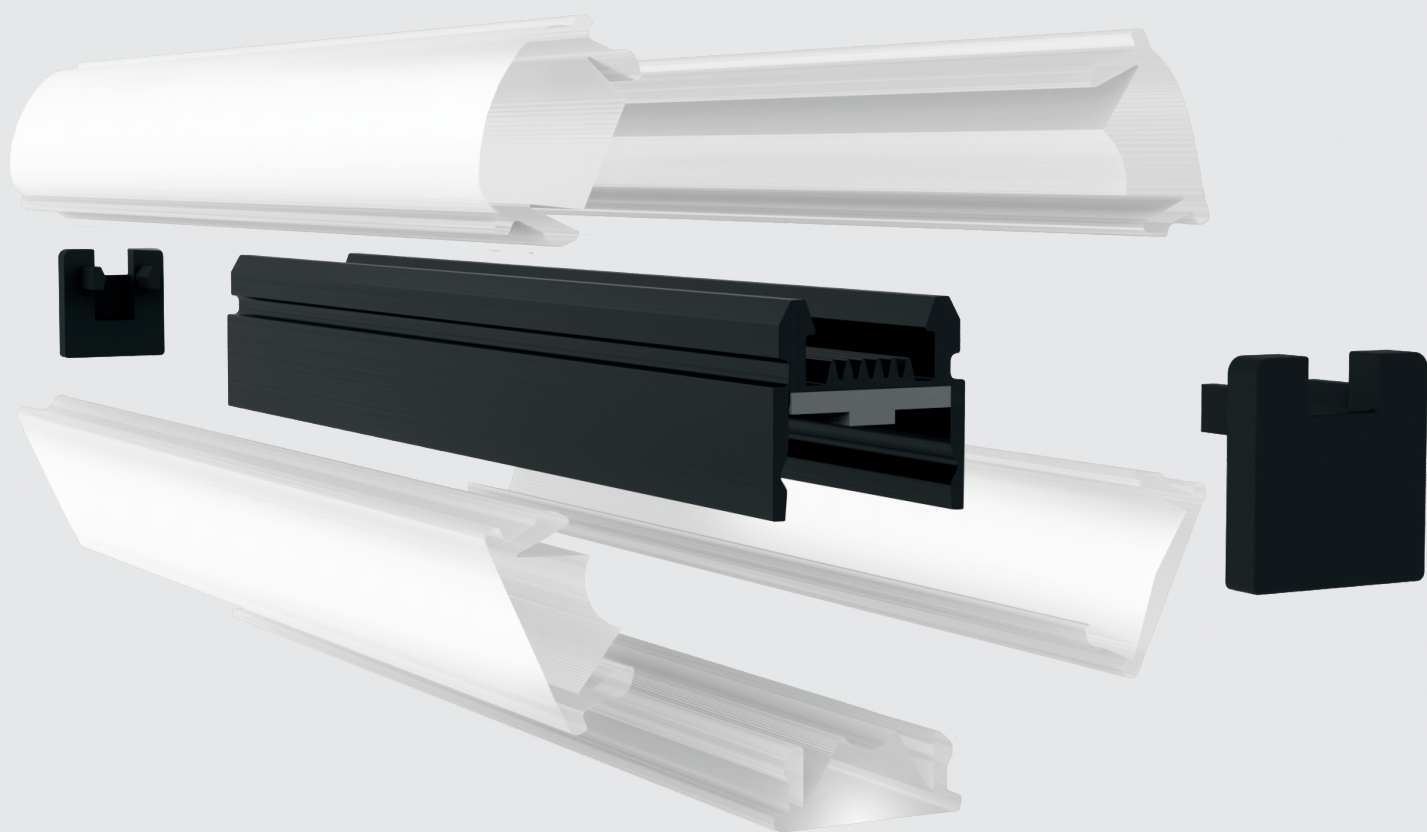
Order example

Esempio ordine

- **RTOTBF14014 WW27 A TOC**

TOOL Top Bend Coil 10 m • 32,8 ft reel,
140 LED/m • 43 LED/ft, 14,4 W/m • 4,4 W/ft,
Warm White 2700, Front side cable outlet,
Steel clips

TOOL Top Bend Bobina 10 m, 140 LED/m,
14,4 W/m, Warm White 2700, Uscita cavo
lato frontale, Clip in acciaio • 0,32 m



LLS, Lens Linear System

LLS Overview Sommario LLS ⁴⁰

LLS Diffused ⁴²

LLS Medium ⁴²

LLS Wide ⁴²

LLS Oval ⁴⁸

LLS Wall Washer ⁵²

Accessories Accessori ⁵⁶

LLS, Lens Linear System

Prod. name Nome prod.	Product Prodotto	Size Dimensioni (mm • in) (Scale/Scala 1:1)	Light Luce Light distributions/ Distribuzioni della luce	W/m • W/ft	Pag.
LLS Diffused				9,5 W/m • 2,9 W/ft 15,7 W/m • 4,8 W/ft 19,6 W/m • 6,0 W/ft	42
LLS Medium				9,5 W/m • 2,9 W/ft 15,7 W/m • 4,8 W/ft 19,6 W/m • 6,0 W/ft	42
LLS Wide				9,5 W/m • 2,9 W/ft 15,7 W/m • 4,8 W/ft 19,6 W/m • 6,0 W/ft	42
LLS Oval				9,5 W/m • 2,9 W/ft 15,7 W/m • 4,8 W/ft 19,6 W/m • 6,0 W/ft	48
LLS Wall Washer				9,5 W/m • 2,9 W/ft 15,7 W/m • 4,8 W/ft 19,6 W/m • 6,0 W/ft	52



LLS
Wide

LLS
Diffused

LLS
Medium

LLS
Wall washer

LLS
Oval

LLS → Diffused, Medium, Wide



Body Corpo

Symmetrical linear profile

Profilo lineare simmetrico

Fastening Fissaggio	Caps + Magnets Caps + Steel clips Caps + Adjustable brackets	Tappi + Magneti Tappi + Clip in acciaio Tappi + Staffe orientabili
Screen Schermo	Diffused 120° Medium 30° Wide 60°	Diffused 120° Medium 30° Wide 60°
Wiring set Cavo alimentazione	2000 mm • 78,74 "	2000 mm
Custom size Lunghezza ordinabile	Up to 3000 mm • 118,11 "	Fino a 3000 mm
Finishing Finitura	<input type="radio"/> Grey anodized <input type="radio"/> Black anodized <input type="radio"/> RAL/White (On request)	<input type="radio"/> Anodica grigia <input type="radio"/> Anodica nera <input type="radio"/> RAL/Bianca (Su richiesta)

Listings and marks

Certificazioni e marchi



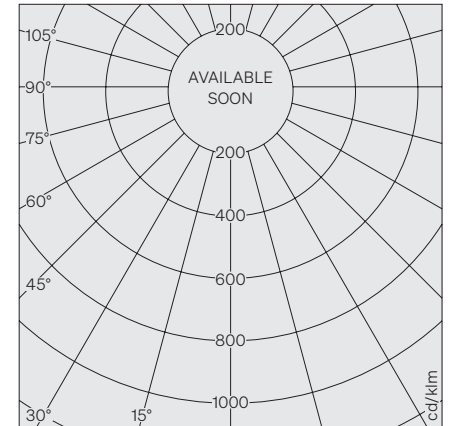
LED
LED



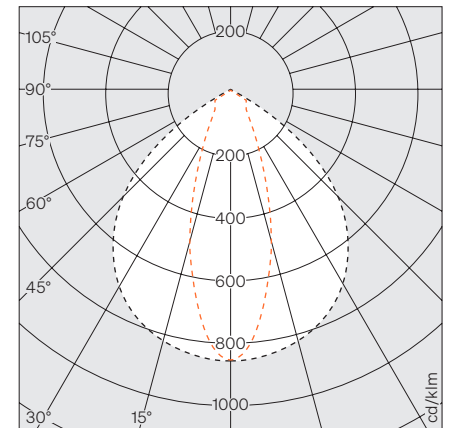
Light distributions Distribuzione della luce



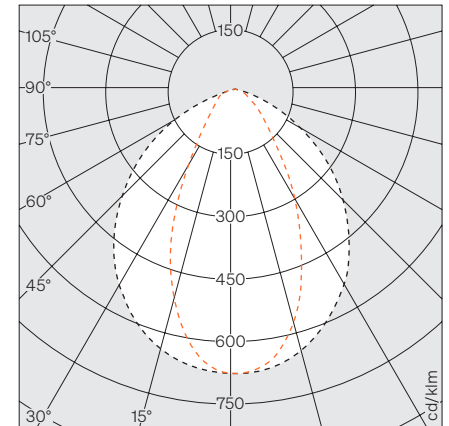
Diffused 120°



Medium 30°



Wide 60°



Light Luce

Diffused 120°



Light source Sorgente luminosa	182 LED/m • 56 LED/ft	182 LED/m • 56 LED/ft	182 LED/m • 56 LED/ft
Power consumption Consumo energia	9,5 W/m • 2,9 W/ft	15,7 W/m • 4,8 W/ft	19,6 W/m • 6,0 W/ft
CCT K	<ul style="list-style-type: none"> ● 2700 K ● 3000 K ● 3500 K ● 4000 K ● 5000 K 	<ul style="list-style-type: none"> ● 2700 K ● 3000 K ● 3500 K ● 4000 K ● 5000 K 	<ul style="list-style-type: none"> ● 2700 K ● 3000 K ● 3500 K ● 4000 K ● 5000 K
Mixing on demand Miscelazione su richiesta			
CRI R9 Rf @ 3000 K Rg @ 3000 K MacAdam ellipse	Min 90 Min 50 92 100 3	Min 90 Min 50 92 100 3	Min 90 Min 50 92 100 3
Luminous flux Flusso luminoso ● 3000 K	↓ Diffused 120° – 164 lm/W 1562 lm/m • 476 lm/ft	↓ Diffused 120° – 162 lm/W 2546 lm/m • 776 lm/ft	↓ Diffused 120° – 154 lm/W 3010 lm/m • 918 lm/ft
Input voltage Tensione di ingresso	24 V DC	24 V DC	24 V DC

Light Luce

Medium 30°



Light source Sorgente luminosa	182 LED/m • 56 LED/ft	182 LED/m • 56 LED/ft	182 LED/m • 56 LED/ft
Power consumption Consumo energia	9,5 W/m • 2,9 W/ft	15,7 W/m • 4,8 W/ft	19,6 W/m • 6,0 W/ft
CCT K	<ul style="list-style-type: none"> ● 2700 K ● 3000 K ● 3500 K ● 4000 K ● 5000 K 	<ul style="list-style-type: none"> ● 2700 K ● 3000 K ● 3500 K ● 4000 K ● 5000 K 	<ul style="list-style-type: none"> ● 2700 K ● 3000 K ● 3500 K ● 4000 K ● 5000 K
Mixing on demand Miscelazione su richiesta			
CRI R9 Rf @ 3000 K Rg @ 3000 K MacAdam ellipse	Min 90 Min 50 92 100 3	Min 90 Min 50 92 100 3	Min 90 Min 50 92 100 3
Luminous flux Flusso luminoso ● 3000 K	↓ Medium 30° – 163 lm/W 1544 lm/m • 471 lm/ft	↓ Medium 30° – 160 lm/W 2517 lm/m • 767 lm/ft	↓ Medium 30° – 152 lm/W 2976 lm/m • 907 lm/ft
Input voltage Tensione di ingresso	24 V DC	24 V DC	24 V DC

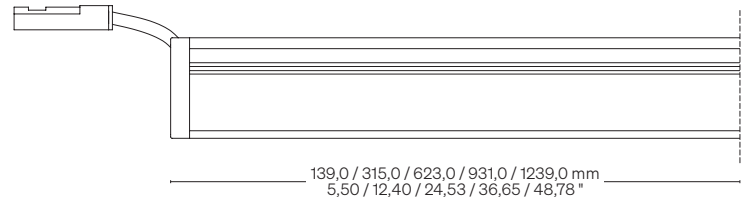
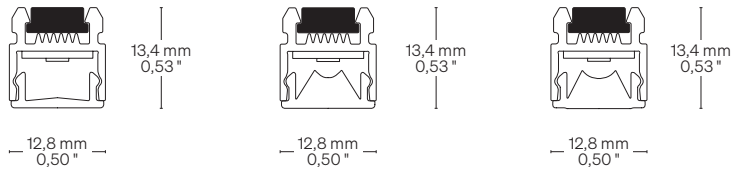
Light Luce

Wide 60°

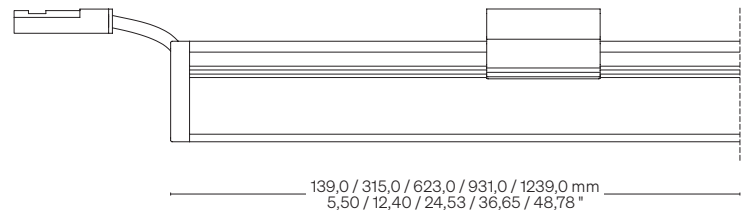
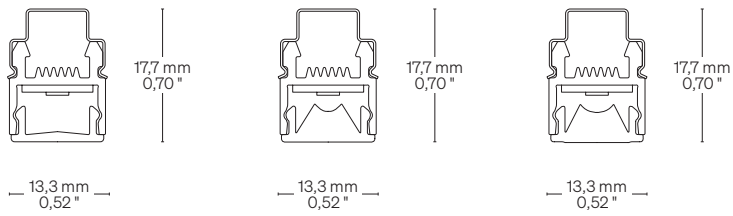


Light source Sorgente luminosa	182 LED/m • 56 LED/ft	182 LED/m • 56 LED/ft	182 LED/m • 56 LED/ft
Power consumption Consumo energia	9,5 W/m • 2,9 W/ft	15,7 W/m • 4,8 W/ft	19,6 W/m • 6,0 W/ft
CCT K Mixing on demand Miscelezione su richiesta	<ul style="list-style-type: none"> ● 2700 K ● 3000 K ● 3500 K ● 4000 K ● 5000 K 	<ul style="list-style-type: none"> ● 2700 K ● 3000 K ● 3500 K ● 4000 K ● 5000 K 	<ul style="list-style-type: none"> ● 2700 K ● 3000 K ● 3500 K ● 4000 K ● 5000 K
CRI R9 Rf @ 3000 K Rg @ 3000 K MacAdam ellipse	Min 90 Min 50 92 100 3	Min 90 Min 50 92 100 3	Min 90 Min 50 92 100 3
Luminous flux Flusso luminoso ● 3000 K	↓ Wide 60° – 165 lm/W 1572 lm/m • 479 lm/ft	↓ Wide 60° – 163 lm/W 2563 lm/m • 781 lm/ft	↓ Wide 60° – 155 lm/W 3030 lm/m • 924 lm/ft
Input voltage Tensione di ingresso	24 V DC	24 V DC	24 V DC

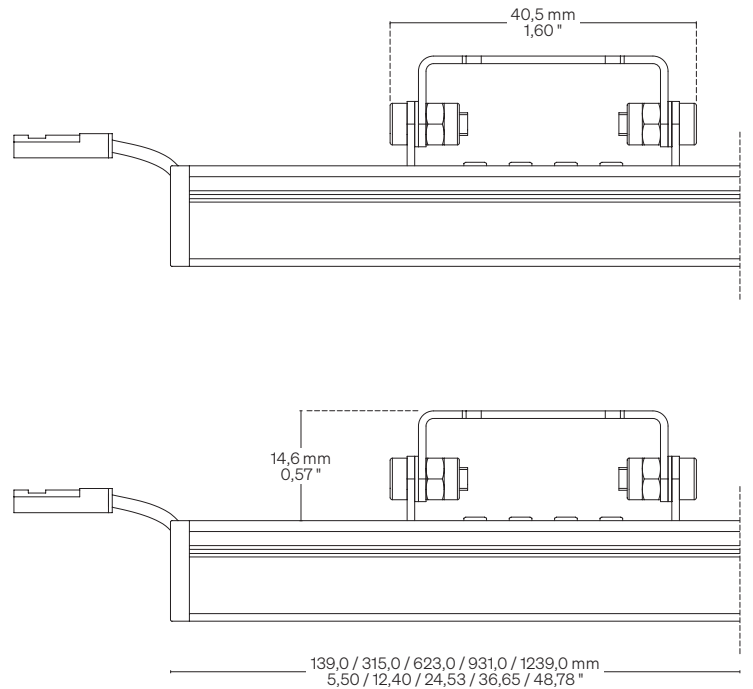
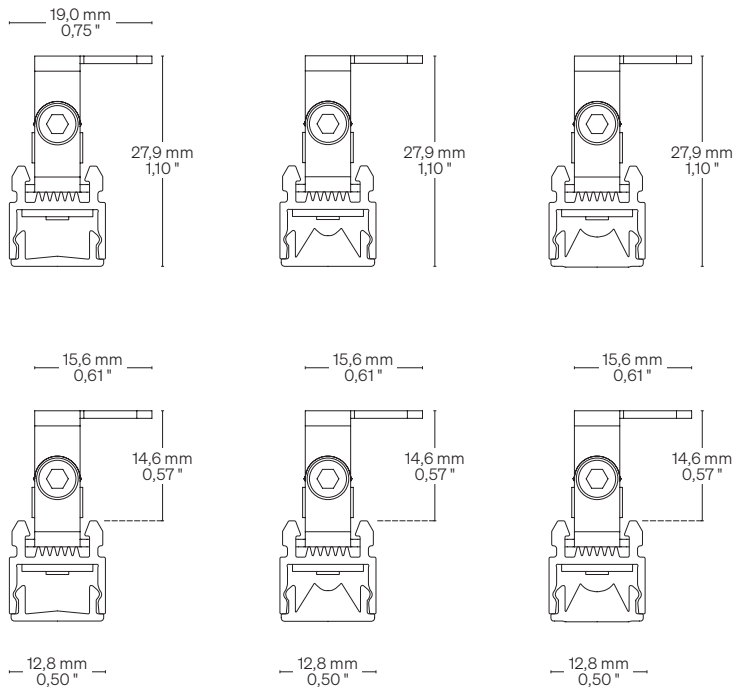
TAM Caps + Magnets
Tappi + Magneti



TAC Caps + Steel clips
Tappi + Clip in acciaio

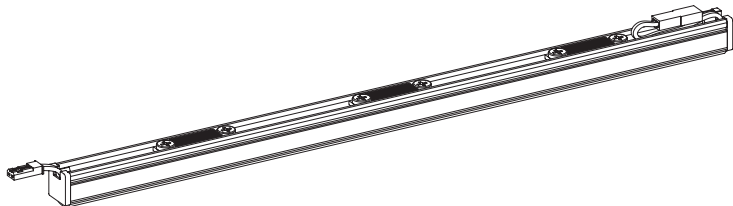


TCA Caps + Adjustable system
Tappi + Sistema orientabile

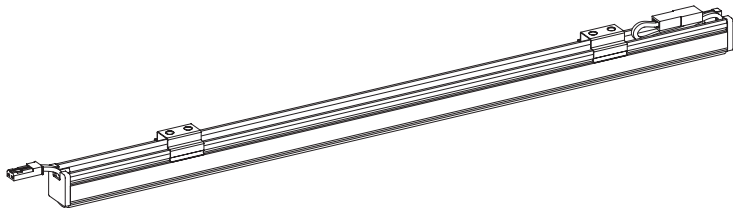


Fastening options Opzioni di fissaggio

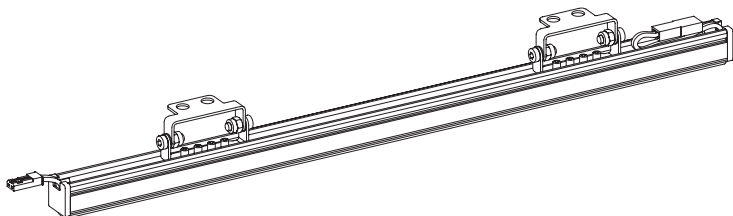
TAM Caps + Magnets
Tappi + Magneti



TAC Caps + Steel clips
Tappi + Clip in acciaio

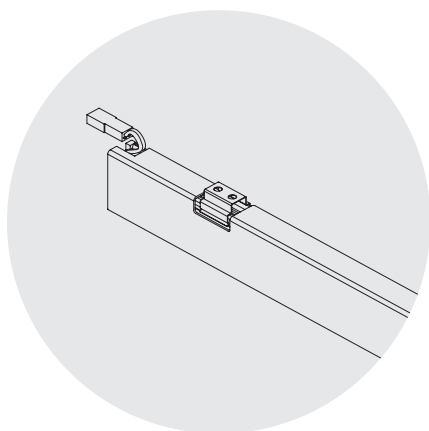


TCA Caps + Adjustable brackets
Tappi + Staffe orientabili



Accessories Accessori

Eyelid (See page 56)
Palpebra (Vedi pagina 56)



Order code Codice ordine

Basic code Codice baset	• LL LLS (Lens Light System)
Available sizes Lunghezze disponibili	• 139 139,0 mm • 5,50 " • 315 315,0 mm • 12,40 " • 623 623,0 mm • 24,53 " • 931 931,0 mm • 36,65 " • 1239 1239,0 mm • 48,78 "
Light source Sorgente luminosa	• F1829 182 LED/m • 56 LED/ft 9,5 W/m • 2,9 W/ft • F18215 182 LED/m • 56 LED/ft 15,7 W/m • 4,8 W/ft • F18220 182 LED/m • 56 LED/ft 19,6 W/m • 6,0 W/ft
CCT K CCT K	• 27 2700 K • 30 3000 K • 35 3500 K • 40 4000 K • 50 5000 K
Fastening options Opzioni di fissaggio	• TAM Caps + Magnets Tappi + Magneti • TAC Caps + Steel clips Tappi + Clip in acciaio • TCA Caps + Adjustable brackets Tappi + Staffe orientabili
Screen Schermo	• D Diffused 120° • M Medium 30° • W Wide 60°
Accessories Accessori	• E Eyelid Palpebra
Order example Esempio ordine	• LL 139 1829 WW27 TAM DE LLS, 139,0 mm • 5,50 ", 182 LED/m • 56 LED/ft, 9,5 W/m • 2,9 W/ft, Warm White 2700, Caps + Magnets, Diffused 120°, Eyelid LLS, 139,0 mm 182 LED/m, 9,5 W/m, Warm White 2700, Tappi + Magneti, Diffused 120°, Palpebra

LLS → Oval



Body Corpo

Symmetrical linear profile

Profilo lineare simmetrico

Fastening Fissaggio	Caps + Magnets Caps + Steel clips Caps + Adjustable brackets	Tappi + Magneti Tappi + Clip in acciaio Tappi + Staffe orientabili
Screen Schermo	OVAL (25°×70°)	OVAL (25°×70°)
Wiring set Cavo alimentazione	2000 mm • 78,74 "	2000 mm
Custom size Lunghezza ordinabile	Up to 3000 mm • 118,11 "	Fino a 3000 mm
Finishing Finitura	<ul style="list-style-type: none"> ● Grey anodized ● Black anodized ○ RAL/White (On request) 	<ul style="list-style-type: none"> ● Anodica grigia ● Anodica nera ○ RAL/Bianca (Su richiesta)

Listings and marks
Certificazioni e marchi



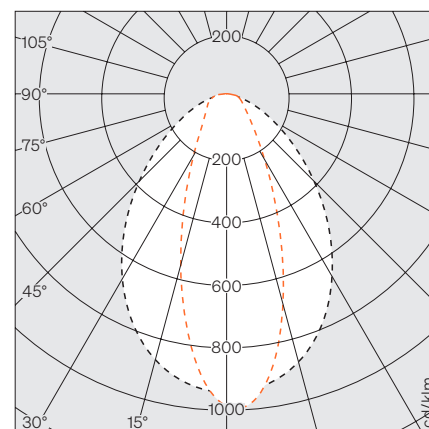
LED
LED



Light distributions Distribuzione della luce



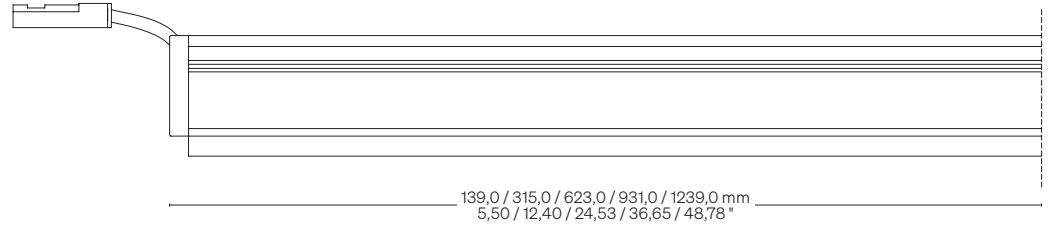
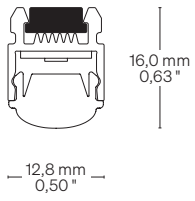
OVAL (25°×70°)



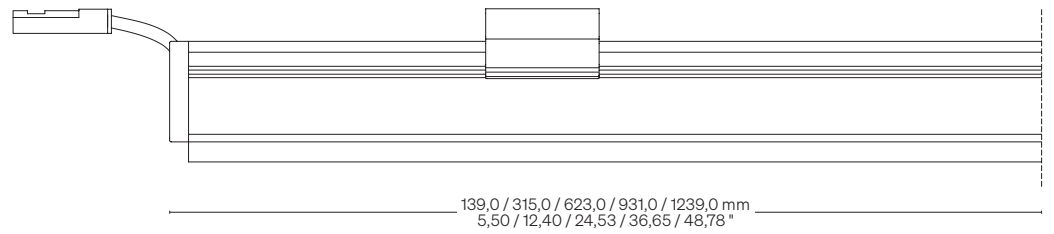
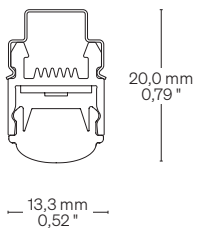
Light Luce

Light source Sorgente luminosa	182 LED/m • 56 LED/ft	182 LED/m • 56 LED/ft	182 LED/m • 56 LED/ft
Power consumption Consumo energia	9,5 W/m • 2,9 W/ft	15,7 W/m • 4,8 W/ft	19,6 W/m • 6,0 W/ft
CCT K Mixing on demand Miscelezion su richiesta	<ul style="list-style-type: none"> ● 2700 K ● 3000 K ● 3500 K ● 4000 K ● 5000 K 	<ul style="list-style-type: none"> ● 2700 K ● 3000 K ● 3500 K ● 4000 K ● 5000 K 	<ul style="list-style-type: none"> ● 2700 K ● 3000 K ● 3500 K ● 4000 K ● 5000 K
CRI R9 Rf @ 3000 K Rg @ 3000 K MacAdam ellipse	Min 90 Min 50 92 100 3	Min 90 Min 50 92 100 3	Min 90 Min 50 92 100 3
Luminous flux Flusso luminoso ● 3000 K	↓ Oval – 159 lm/W 1513 lm/m • 461 lm/ft	↓ Oval – 157 lm/W 2466 lm/m • 752 lm/ft	↓ Oval – 149 lm/W 2915 lm/m • 889 lm/ft
Input voltage Tensione di ingresso	24 V DC	24 V DC	24 V DC

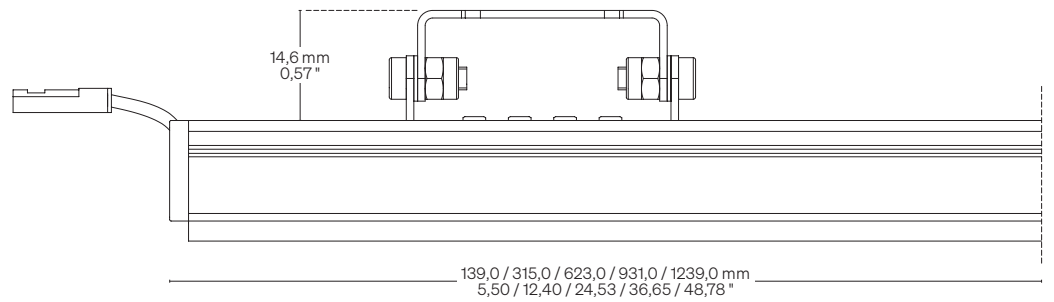
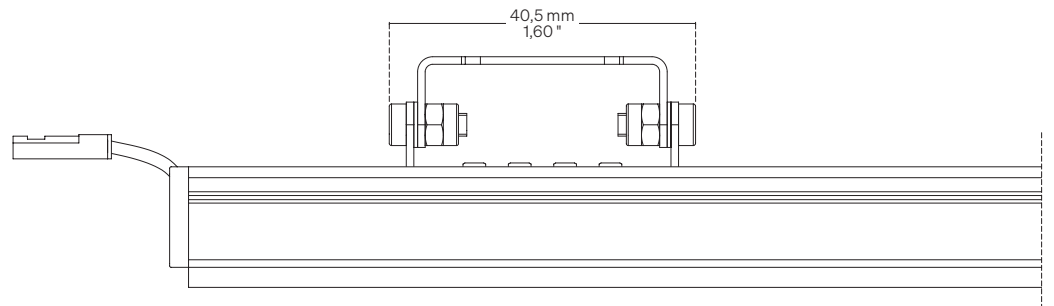
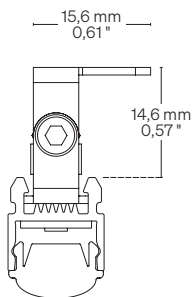
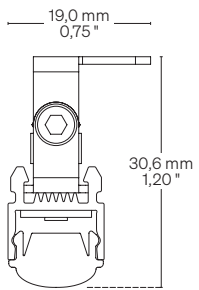
TAM Caps + Magnets
Tappi + Magneti



TAC Caps + Steel clips
Tappi + Clip in acciaio

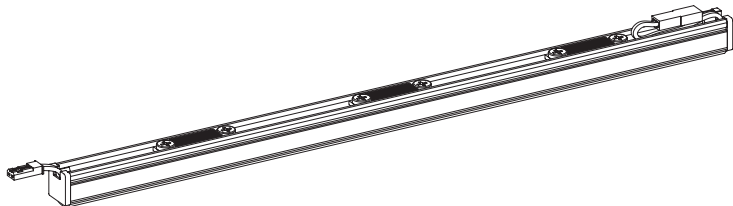


TCA Caps + Adjustable system
Tappi + Sistema orientabile

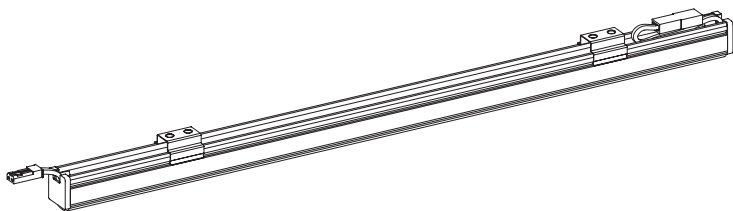


Fastening options Opzioni di fissaggio

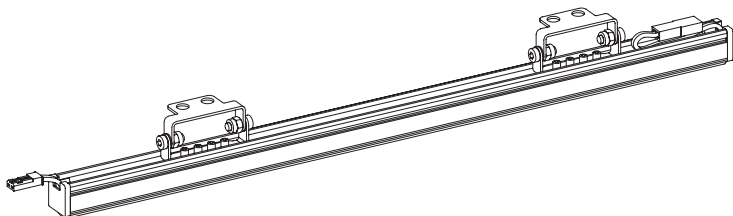
TAM Caps + Magnets
Tappi + Magneti



TAC Caps + Steel clips
Tappi + Clip in acciaio

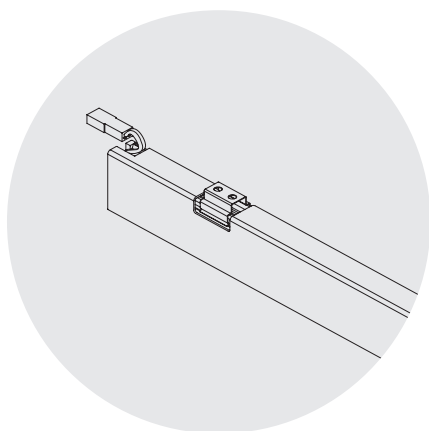


TCA Caps + Adjustable brackets
Tappi + Staffe orientabili



Accessories Accessori

Eyelid (See page 56)
Palpebra (Vedi pagina 56)



Order code Codice ordine

Basic code Codice baset	LL	LLS (Lens Light System)
Available sizes Lunghezze disponibili	139 315 623 931 1239	139,0 mm • 5,50 " 315,0 mm • 12,40 " 623,0 mm • 24,53 " 931,0 mm • 36,65 " 1239,0 mm • 48,78 "
Light source Sorgente luminosa	F1829 F18215 F18220	182 LED/m • 56 LED/ft 9,5 W/m • 2,9 W/ft 182 LED/m • 56 LED/ft 15,7 W/m • 4,8 W/ft 182 LED/m • 56 LED/ft 19,6 W/m • 6,0 W/ft
CCT K CCT K	27 30 35 40 50	2700 K 3000 K 3500 K 4000 K 5000 K
Fastening options Opzioni di fissaggio	TAM TAC TCA	Caps + Magnets Tappi + Magneti Caps + Steel clips Tappi + Clip in acciaio Caps + Adjustable brackets Tappi + Staffe orientabili
Screen Schermo	O	OVAL (25°×70°)
Accessories Accessori	E	Eyelid Palpebra
Order example Esempio ordine	LL 139 1829 WW27 TAM O E	LLS, 139,0 mm • 5,50 ", 182 LED/m • 56 LED/ft, 9,5 W/m • 2,9 W/ft, Warm White 2700, Caps + Magnets, OVAL (25°×70°), Eyelid LLS, 139,0 mm 182 LED/m, 9,5 W/m, Warm White 2700, Tappi + Magneti, OVAL (25°×70°), Palpebra

LLS → Wall Washer



Body Corpo

Symmetrical linear profile

Profilo lineare simmetrico

Fastening Fissaggio	Caps + Magnets Caps + Steel clips Caps + Adjustable brackets	Tappi + Magneti Tappi + Clip in acciaio Tappi + Staffe orientabili
Screen Schermo	Wall Washer	Wall Washer
Wiring set Cavo alimentazione	2000 mm • 78,74 "	2000 mm
Custom size Lunghezza ordinabile	Up to 3000 mm • 118,11 "	Fino a 3000 mm
Finishing Finitura	<ul style="list-style-type: none"> ● Grey anodized ● Black anodized ○ RAL/White (On request) 	<ul style="list-style-type: none"> ● Anodica grigia ● Anodica nera ○ RAL/Bianca (Su richiesta)

Listings and marks
Certificazioni e marchi



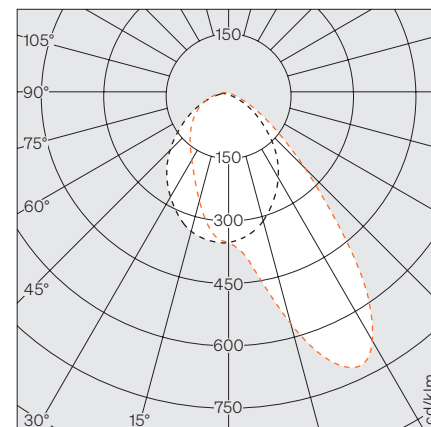
LED
LED



Light distributions Distribuzione della luce



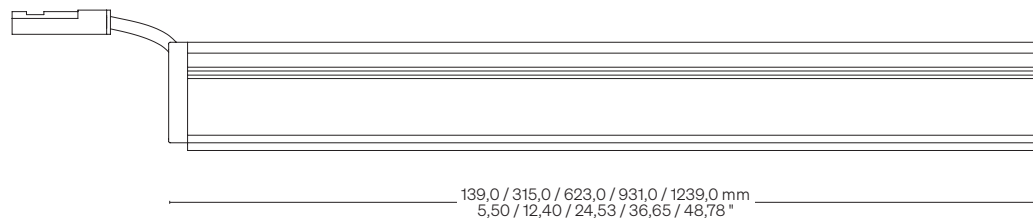
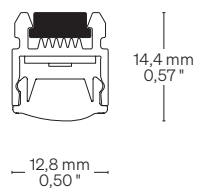
Wall Washer



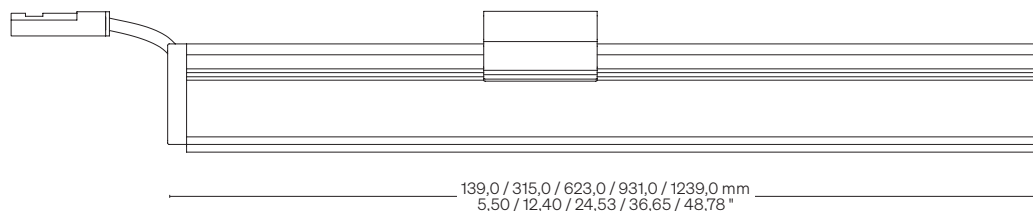
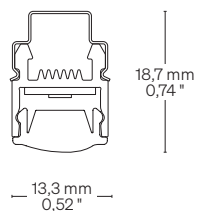
Light Luce

Light source Sorgente luminosa	182 LED/m • 56 LED/ft	182 LED/m • 56 LED/ft	182 LED/m • 56 LED/ft
Power consumption Consumo energia	9,5 W/m • 2,9 W/ft	15,7 W/m • 4,8 W/ft	19,6 W/m • 6,0 W/ft
CCT K	<ul style="list-style-type: none"> ● 2700 K ● 3000 K ● 3500 K ● 4000 K ● 5000 K 	<ul style="list-style-type: none"> ● 2700 K ● 3000 K ● 3500 K ● 4000 K ● 5000 K 	<ul style="list-style-type: none"> ● 2700 K ● 3000 K ● 3500 K ● 4000 K ● 5000 K
Mixing on demand Misceazione su richiesta			
CRI R9 Rf @ 3000 K Rg @ 3000 K MacAdam ellipse	Min 90 Min 50 92 100 3	Min 90 Min 50 92 100 3	Min 90 Min 50 92 100 3
Luminous flux Flusso luminoso ● 3000 K	↓ Wall Washer – 162 lm/W 1536 lm/m • 468 lm/ft	↓ Wall Washer – 159 lm/W 2503 lm/m • 763 lm/ft	↓ Wall Washer – 151 lm/W 2959 lm/m • 902 lm/ft
Input voltage Tensione di ingresso	24 V DC	24 V DC	24 V DC

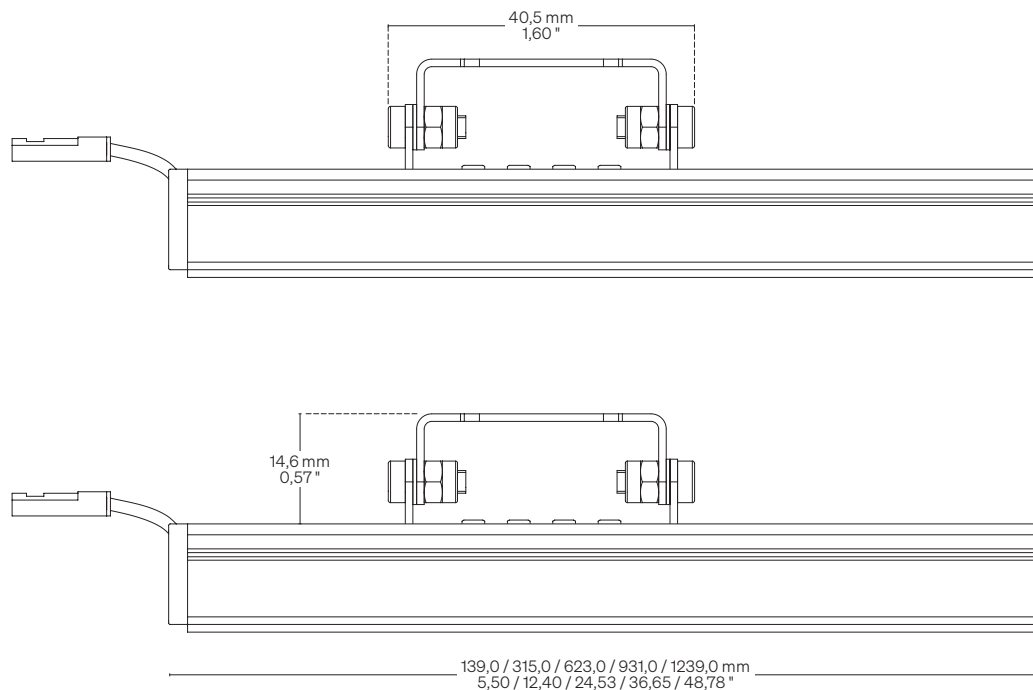
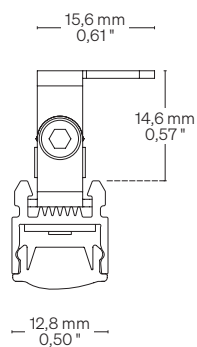
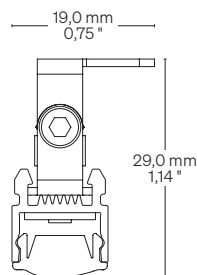
TAM Caps + Magnets
Tappi + Magneti



TAC Caps + Steel clips
Tappi + Clip in acciaio

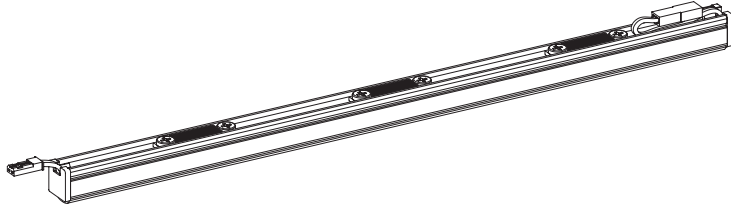


TCA Caps + Adjustable system
Tappi + Sistema orientabile

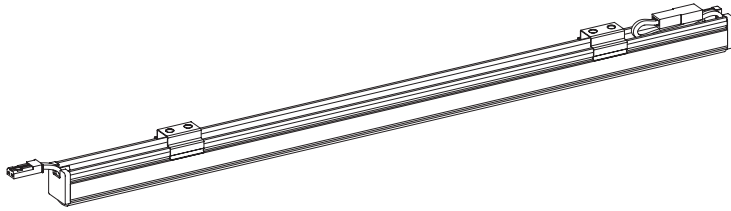


Fastening options Opzioni di fissaggio

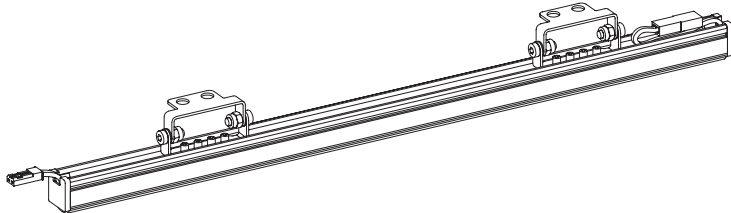
TAM Caps + Magnets
Tappi + Magneti



TAC Caps + Steel clips
Tappi + Clip in acciaio

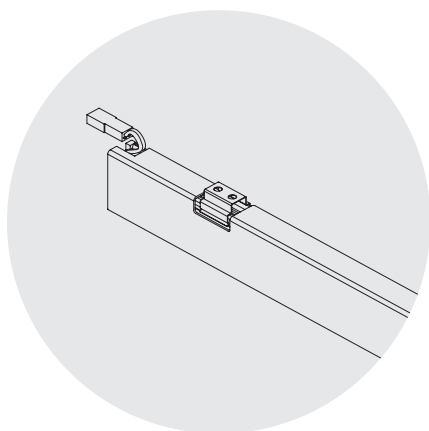


TCA Caps + Adjustable brackets
Tappi + Staffe orientabili



Accessories Accessori

Eyelid (See page 56)
Palpebra (Vedi pagina 56)



Order code Codice ordine

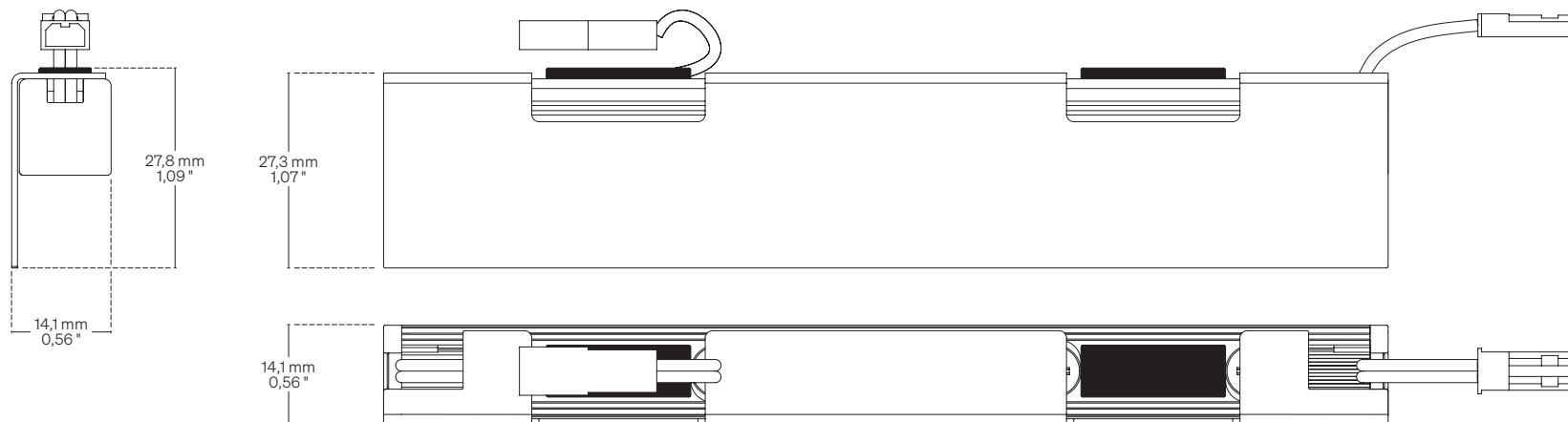
Basic code Codice baset	• LL	LLS (Lens Light System)
Available sizes Lunghezze disponibili	• 139 315 623 931 1239	139,0 mm • 5,50 " 315,0 mm • 12,40 " 623,0 mm • 24,53 " 931,0 mm • 36,65 " 1239,0 mm • 48,78 "
Light source Sorgente luminosa	• F1829 F18215 F18220	182 LED/m • 56 LED/ft 9,5 W/m • 2,9 W/ft 182 LED/m • 56 LED/ft 15,7 W/m • 4,8 W/ft 182 LED/m • 56 LED/ft 19,6 W/m • 6,0 W/ft
CCT K CCT K	• 27 30 35 40 50	● 2700 K ● 3000 K ● 3500 K ● 4000 K ● 5000 K
Fastening options Opzioni di fissaggio	• TAM TAC TCA	Caps + Magnets Tappi + Magneti Caps + Steel clips Tappi + Clip in acciaio Caps + Adjustable brackets Tappi + Staffe orientabili
Screen Schermo	• W	Wall Washer
Accessories Accessori	• E	Eyelid Palpebra
Order example Esempio ordine	• LL 139 1829 WW27 TAM WE	LLS, 139,0 mm • 5,50 ", 182 LED/m • 56 LED/ft, 9,5 W/m • 2,9 W/ft, Warm White 2700, Caps + Magnets, Wall Washer, Eyelid LLS, 139,0 mm 182 LED/m, 9,5 W/m, Warm White 2700, Tappi + Magneti, Wall Washer, Palpebra

Accessories Accessori

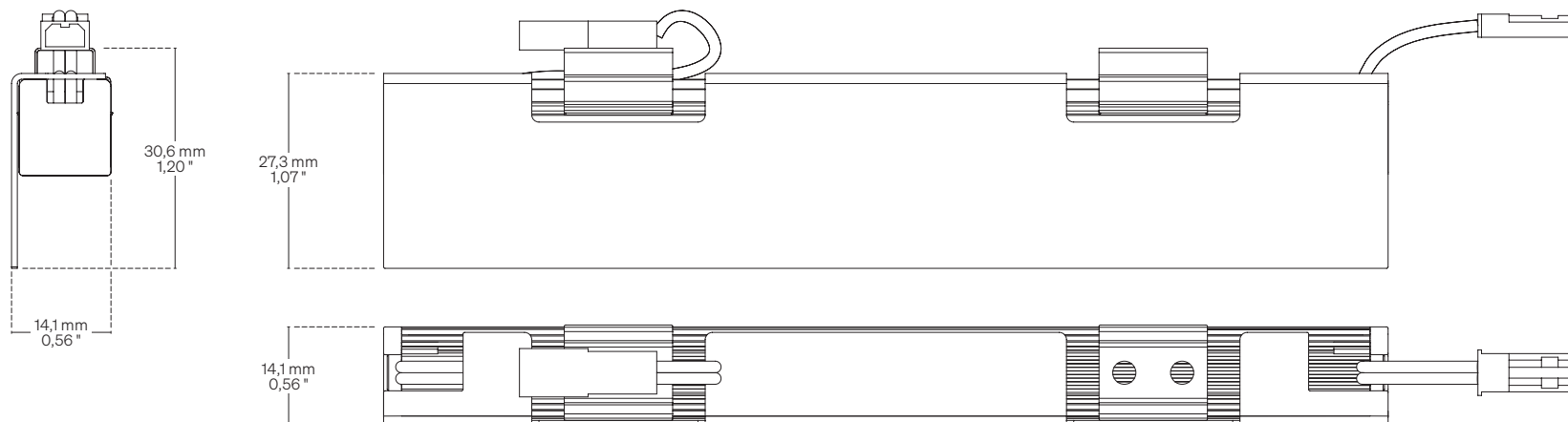
Eyelid Palpebra

Scale/Scala 1:1

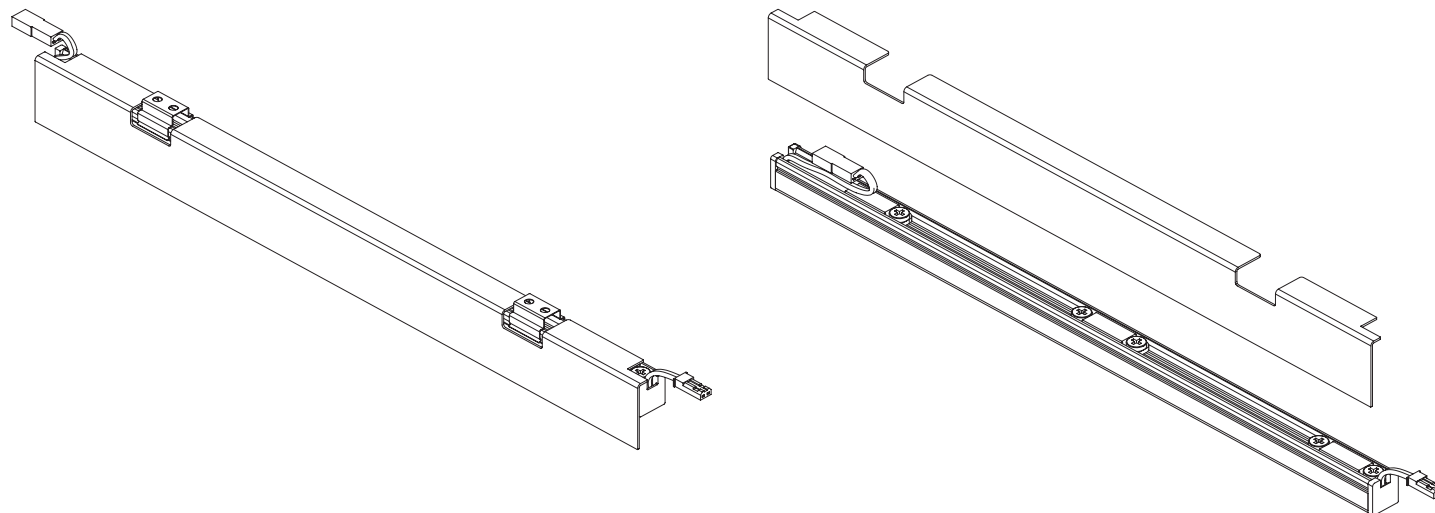
TAM Caps + Magnets
Tappi + Magneti



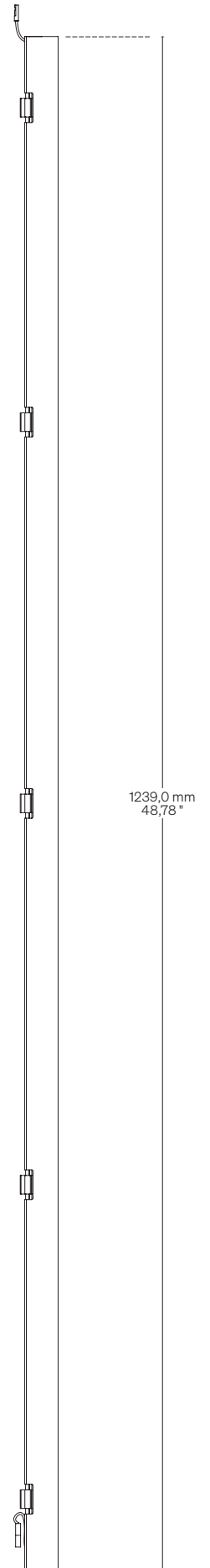
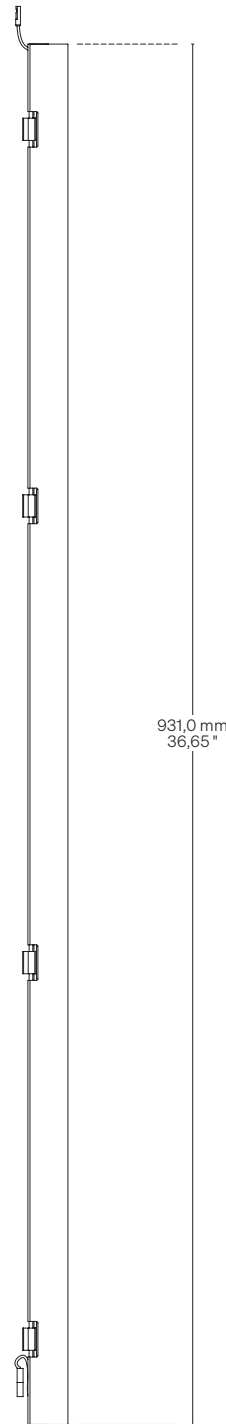
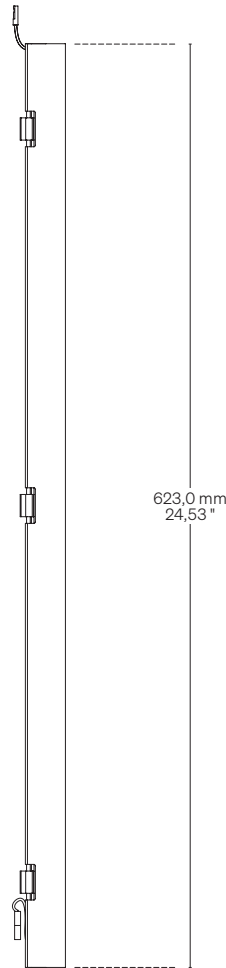
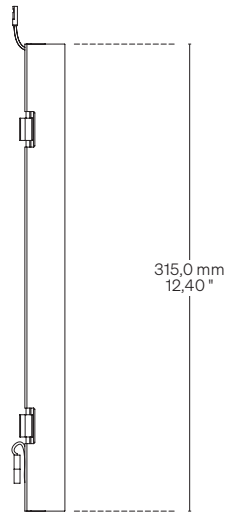
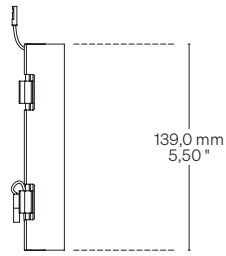
TAC Caps + Steel clips
Tappi + Clip in acciaio



Eyelid mounting detail Dettaglio di montaggio della palpebra



Eyelid modul sizes Dimensioni moduli palpebra



Listings and marks Certificazioni e marchi



CE Mark

It certifies the compliance of the product to EU directives concerning the essential requirements of safety, applicable to the product concerned.

Marchio CE

Certifica la rispondenza del prodotto ai requisiti essenziali di sicurezza richiesti dalle direttive comunitarie applicabili al prodotto in questione.



UKCA

The UKCA marking is the UK's new mandatory product certification regulation, replacing the CE marking after the UK's exit from the European Union.

UKCA

La marcatura UKCA è la nuova regolamentazione per la certificazione di prodotto obbligatoria del Regno Unito, che sostituisce la marcatura CE dopo l'uscita del Regno Unito dall'Unione europea.



UL Mark

Certificate of compliance with USA and Canada safety requirements.

Marchio UL

Prova di conformità con i requisiti di sicurezza USA e Canada.



EAC Mark

The Eurasian Conformity mark is a certification mark to indicate products that conform to all technical regulations of the Eurasian Customs Union.

Marchio EAC

Il marchio Eurasian Conformity è un marchio di certificazione per indicare i prodotti conformi a tutti i regolamenti tecnici dell'Unione doganale eurasiatica.



International Protection IP

It classifies the protection level against the intrusion of solid particles (first number) and liquids access (second number).

Grado di protezione IP

Classifica il grado di protezione contro l'intrusione di particelle solide (prima cifra) e l'accesso di liquidi (seconda cifra).



F Mark

Device suitable to be mounted on normally flammable surfaces.

Marchio F

Dispositivo idoneo per installazione su superfici normalmente infiammabili.



Appliance 3

The protection against electric shock is provided by a special isolating transformer whose output is known as SELV. This must not exceed 50 V AC. Grounding is not required.

Classe di isolamento 3

La protezione dalla folgorazione si basa sull'alimentazione a bassissima tensione di sicurezza SELV (50 V max), in cui non si producono tensioni superiori alla stessa. Non è richiesta la messa a terra.

Warnings Avvertenze

The installation of the product, must be done as illustrated in the catalogue or inside the technical data-sheet that can be asked to the manufacturer. An installation performed differently from the one indicated may compromise the durability and characteristics of the product itself. An installation performed differently from the one indicated may compromise the durability and characteristics of the product.

Unsuitable cross-section / length of the cable can negatively affect the lighting power of the product.

If Power supplies, even those with a plastic case, are located in spaces that are too small for their dimensions; they will be subjected to dissipation problems that will compromise their functionality.

Silicones or resins subjected to temperature changes and used near the product, if not in accordance with the specifications issued by the manufacturer, they can seriously damage the LED component. The products can not be modified without any authorization by the manufacturer.

L'installazione del prodotto, dovrà eseguirsi come illustrato nel catalogo o nella documentazione tecnica richiedibile al produttore. Un'installazione eseguita diversamente da quella indicata, può compromettere la durata e le caratteristiche del prodotto. Prima dell'installazione verificare la corretta sezione del cavo collegato tra LED e alimentatore.

Sezione / lunghezza del cavo non congrui, possono alterare in negativo la luminosità del prodotto.

Gli alimentatori, anche quelli con contenitore plastico, inseriti in spazi troppo piccoli, saranno soggetti a problemi di dissipazione che comprometteranno la loro funzionalità.

Siliconi o resine soggetti a sbalzi di temperature e utilizzati in prossimità del prodotto, se non conformi alle specifiche rilasciate dal produttore possono danneggiare gravemente il componente LED. I prodotti non possono essere modificati senza autorizzazione da parte del produttore.

Warranty Garanzia

See website: formulaluci.com

Visitare il sito: formulaluci.com

F.L.I. Formula Luci Italia S.r.l.

Head office
Sede centrale

Formula Luci Italia
Via IV Novembre, 171
25080 Prevalle (BS) - IT

Contacts
Contatti

T. +39 030 7285038
W. formulaluci.com

General information Richiesta informazioni
info@formulaluci.com

Sales Vendite
sales@formulaluci.com
vendite@formulaluci.com

Support Assistenza
customer@formulaluci.com

Technical department Ufficio tecnico
tecnico@formulaluci.com

Printing edition
Edizione di stampa

November 2023/Novembre 2023

Printed by
Stampato da

Intese Grafiche Srl
Via Dritta 21/b - Loc. Fascia d'Oro
25018 Montichiari (BS) - IT

Photo credits
Crediti fotografici

Please contact us/Puoi contattarci:
info@formulaluci.com

The information and pictures contained
in this catalogue are valid at time of printing.
F.L.I. Formula Luci Italia Srl reserves the
right to modify the content and appearance
of products in the catalogue.

Le informazioni e le immagini contenute
in questo catalogo sono valide al momento
della stampa. F.L.I. Formula Luci Italia Srl
si riserva la facoltà di modificare
il contenuto e l'aspetto dei prodotti
contenuti in questo catalogo.

FLI