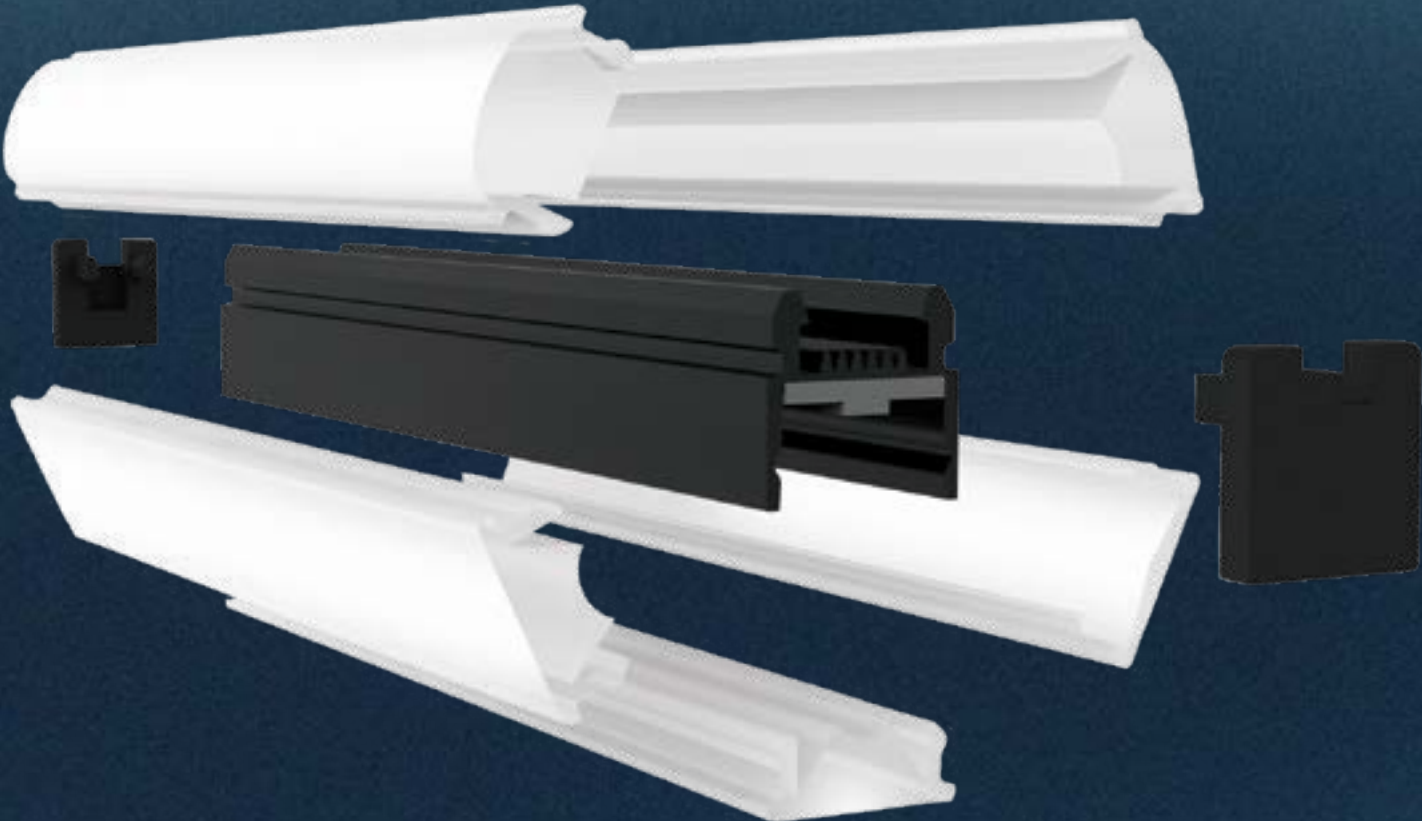


Formula Luci
LLS, Lens Linear System

Linear Light System with
five different lens optics.



LLS, Lens Linear System

LLS Overview Sommario LLS ⁰²

LLS Diffused ⁰⁴

LLS Medium ⁰⁴

LLS Wide ⁰⁴

LLS Oval ¹⁰

LLS Wall Washer ¹⁴

Accessories Accessori ¹⁸

CRI Typical CRI Tipici ²⁰

LLS, Lens Linear System

Prod. name Nome prod.	Product Prodotto	Size Dimensioni (mm • in) (Scale/Scala 1:1)	Light Luce Light distributions/ Distribuzioni della luce	W/m • W/ft	Pag.
LLS • Diffused				9,5 W/m • 2,9 W/ft 15,7 W/m • 4,8 W/ft 19,6 W/m • 6,0 W/ft	04
Pending					
LLS • Medium				9,5 W/m • 2,9 W/ft 15,7 W/m • 4,8 W/ft 19,6 W/m • 6,0 W/ft	04
LLS • Wide				9,5 W/m • 2,9 W/ft 15,7 W/m • 4,8 W/ft 19,6 W/m • 6,0 W/ft	04
LLS • Oval				9,5 W/m • 2,9 W/ft 15,7 W/m • 4,8 W/ft 19,6 W/m • 6,0 W/ft	10
LLS • Wall Washer				9,5 W/m • 2,9 W/ft 15,7 W/m • 4,8 W/ft 19,6 W/m • 6,0 W/ft	14

Linear Light System with five different lens optics Sistema Linear Light con cinque differenti ottiche



LLS • Diffused, Medium, Wide



Body Corpo

Symmetrical linear profile
Profilo lineare simmetrico

Fastening Fissaggio	Caps + Magnets Caps + Steel clips Caps + Adjustable brackets	Tappi + Magneti Tappi + Clip in acciaio Tappi + Staffe orientabili
-------------------------------	--	--

Screen Schermo	Diffused 120° (Pending) Medium 30° Wide 60°	Diffused 120° (Pending) Medium 30° Wide 60°
--------------------------	---	---

Wiring set Cavo alimentazione	2000 mm • 78,74 "	2000 mm
---	-------------------	---------

Ordering length Lunghezza ordinabile	Up to 3000 mm • 118,10 "	Fino a 3000 mm
--	--------------------------	----------------

Finishing Finitura	● Grey anodized (Standard) → On request other finishes	● Anodica grigia (Standard) → Su richiesta altre finiture
------------------------------	---	--

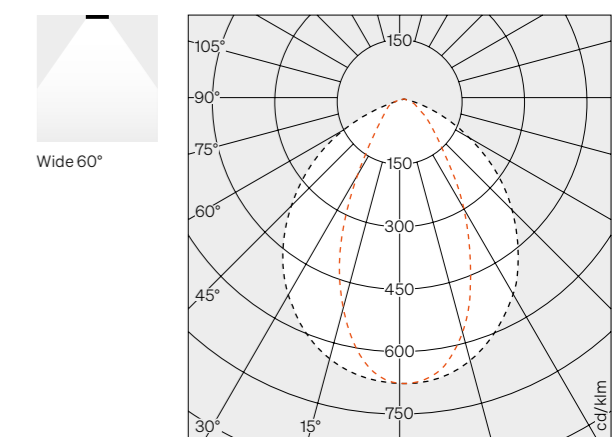
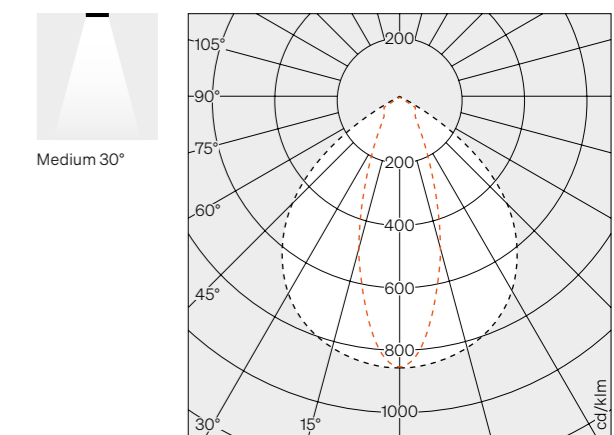
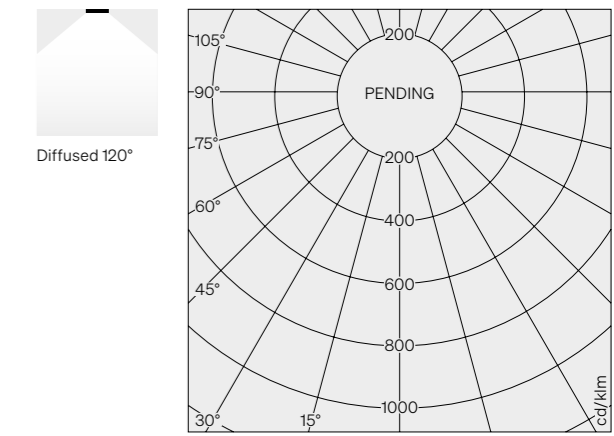
Listings and marks
Certificazioni e marchi

Where we produce
Dove produciamo

Made in Italy

LED (See page 20)
LED (Vedi pagina 20)

Light distributions Distribuzione della luce



Light Luce

Diffused 120°



Pending

	182 LED/m • 55 LED/ft	182 LED/m • 55 LED/ft	182 LED/m • 55 LED/ft
Light source Sorgente luminosa			
Power consumption Consumo energia	9,5 W/m • 2,9 W/ft	15,7 W/m • 4,8 W/ft	19,6 W/m • 6,0 W/ft
CCT K	● 2700 K ● 3000 K ● 3500 K ● 4000 K ● 5000 K	● 2700 K ● 3000 K ● 3500 K ● 4000 K ● 5000 K	● 2700 K ● 3000 K ● 3500 K ● 4000 K ● 5000 K
On request/Su richiesta: ● Mixing/Miscelazione ● 2200 K			
CRI R9 Rf @ 3000 K Rg @ 3000 K MacAdam ellipse	Min 90 Min 50 92 100 3	Min 90 Min 50 92 100 3	Min 90 Min 50 92 100 3
Luminous flux (Strip LED) Flusso luminoso (Strip LED) ● 3000 K	↓ Diffused 120° – 164 lm/W 1562 lm/m • 476 lm/ft	↓ Diffused 120° – 162 lm/W 2546 lm/m • 776 lm/ft	↓ Diffused 120° – 154 lm/W 3010 lm/m • 918 lm/ft
Input voltage Tensione di ingresso	24 V DC	24 V DC	24 V DC

Light Luce

Medium 30°



	182 LED/m • 55 LED/ft	182 LED/m • 55 LED/ft	182 LED/m • 55 LED/ft
Light source Sorgente luminosa			
Power consumption Consumo energia	9,5 W/m • 2,9 W/ft	15,7 W/m • 4,8 W/ft	19,6 W/m • 6,0 W/ft
CCT K	● 2700 K ● 3000 K ● 3500 K ● 4000 K ● 5000 K	● 2700 K ● 3000 K ● 3500 K ● 4000 K ● 5000 K	● 2700 K ● 3000 K ● 3500 K ● 4000 K ● 5000 K
On request/Su richiesta: ● Mixing/Miscelazione ● 2200 K			
CRI R9 Rf @ 3000 K Rg @ 3000 K MacAdam ellipse	Min 90 Min 50 92 100 3	Min 90 Min 50 92 100 3	Min 90 Min 50 92 100 3
Delivered lumen output Flusso luminoso emesso ● 3000 K	↓ Medium 30° – 163 lm/W 1544 lm/m • 471 lm/ft	↓ Medium 30° – 160 lm/W 2517 lm/m • 767 lm/ft	↓ Medium 30° – 152 lm/W 2976 lm/m • 907 lm/ft
Input voltage Tensione di ingresso	24 V DC	24 V DC	24 V DC

Light Luce

Wide 60°

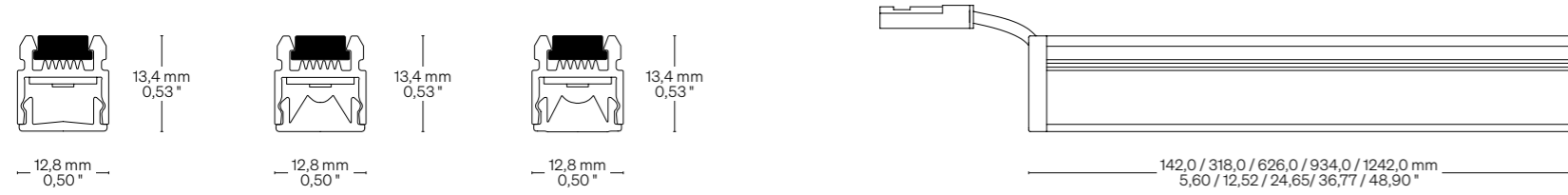


	182 LED/m • 55 LED/ft	182 LED/m • 55 LED/ft	182 LED/m • 55 LED/ft
Light source Sorgente luminosa			
Power consumption Consumo energia	9,5 W/m • 2,9 W/ft	15,7 W/m • 4,8 W/ft	19,6 W/m • 6,0 W/ft
CCT K	● 2700 K ● 3000 K ● 3500 K ● 4000 K ● 5000 K	● 2700 K ● 3000 K ● 3500 K ● 4000 K ● 5000 K	● 2700 K ● 3000 K ● 3500 K ● 4000 K ● 5000 K
On request/Su richiesta: ● Mixing/Miscelazione ● 2200 K			
CRI R9 Rf @ 3000 K Rg @ 3000 K MacAdam ellipse	Min 90 Min 50 92 100 3	Min 90 Min 50 92 100 3	Min 90 Min 50 92 100 3
Delivered lumen output Flusso luminoso emesso ● 3000 K	↓ Wide 60° – 165 lm/W 1572 lm/m • 479 lm/ft	↓ Wide 60° – 163 lm/W 2563 lm/m • 781 lm/ft	↓ Wide 60° – 155 lm/W 3030 lm/m • 924 lm/ft
Input voltage Tensione di ingresso	24 V DC	24 V DC	24 V DC

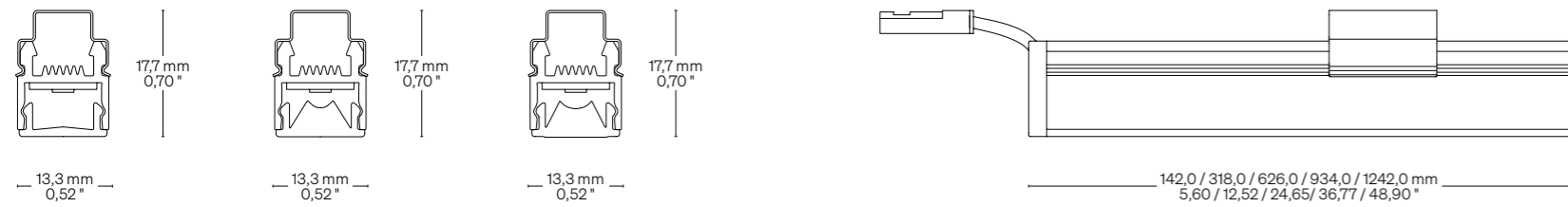
Dimensions Dimensioni

Scale/Scala 1:1

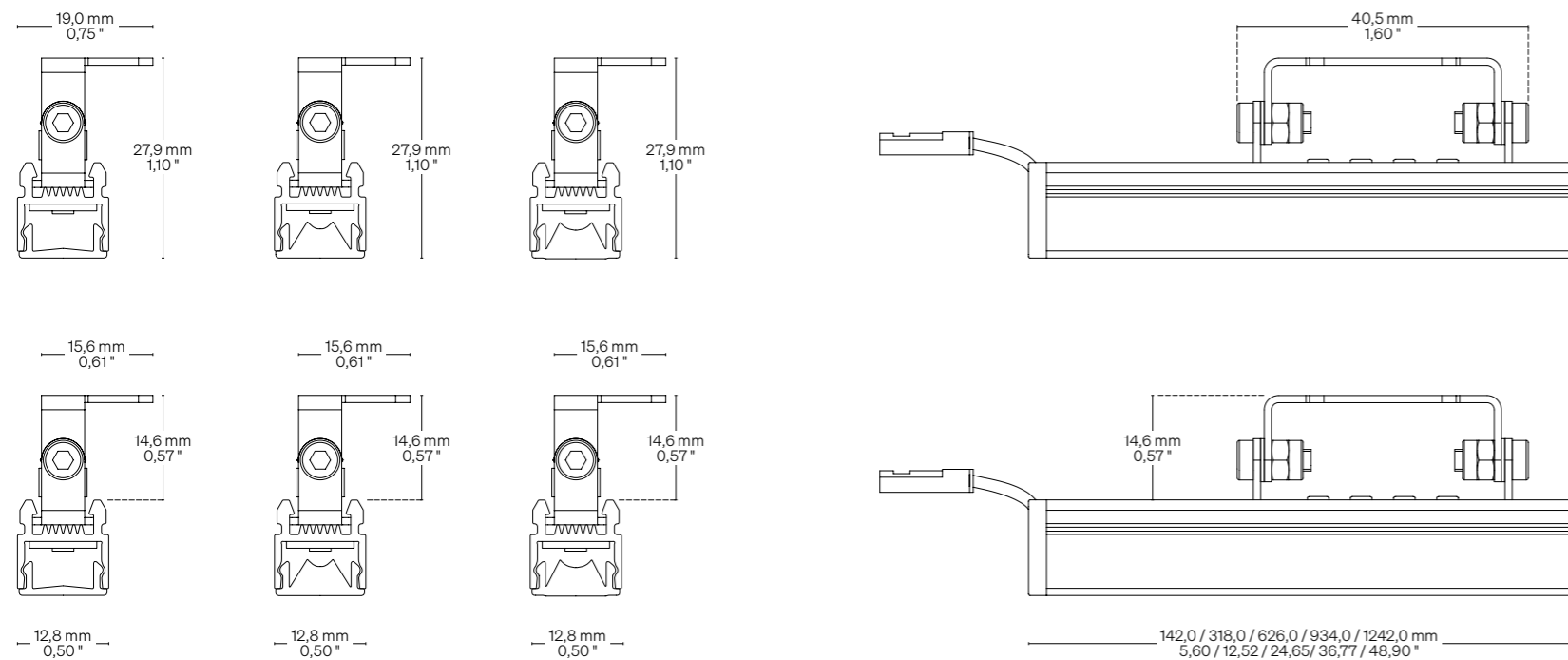
TAM Caps + Magnets
Tappi + Magneti



TAC Caps + Steel clips
Tappi + Clip in acciaio

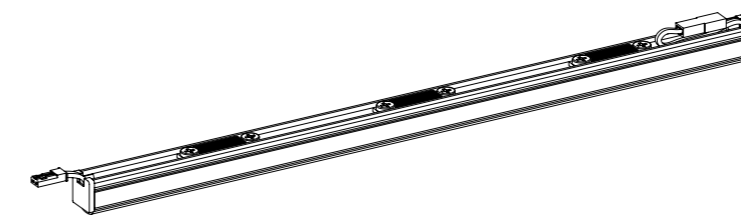


TCA Caps + Adjustable brackets
Tappi + Staffe orientabili

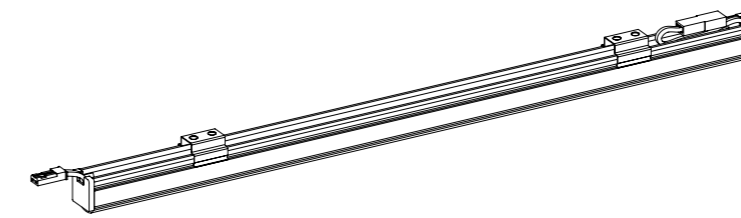


Fastening options Opzioni di fissaggio

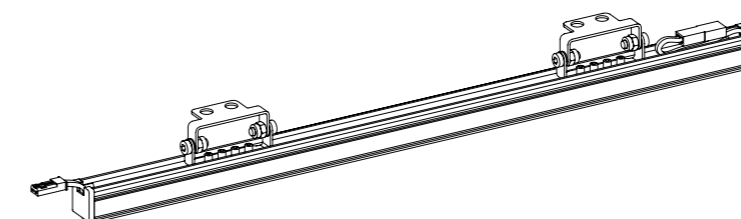
TAM Caps + Magnets
Tappi + Magneti



TAC Caps + Steel clips
Tappi + Clip in acciaio



TCA Caps + Adjustable brackets
Tappi + Staffe orientabili

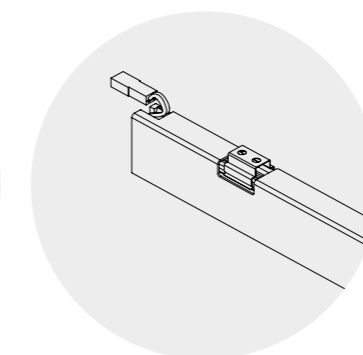


Accessories Accessori

Louvers (See page 18)
Louveri (Vedi pagina 18)



Eyelid (See page 18)
Palpebra (Vedi pagina 18)



Order code Codice ordine

Basic code Codice baset	LL	LLS (Lens Light System)
Available sizes Lunghezze disponibili	142 318 626 934 1242	142,0 mm • 5,60 " 318,0 mm • 12,52 " 626,0 mm • 24,65 " 934,0 mm • 36,77 " 1242,0 mm • 48,90 "
Light source Sorgente luminosa	F1829 F18215 F18220	182 LED/m • 55 LED/ft 9,5 W/m • 2,9 W/ft 182 LED/m • 55 LED/ft 15,7 W/m • 4,8 W/ft 182 LED/m • 55 LED/ft 19,6 W/m • 6,0 W/ft
CCT K CCT K	27 30 35 40 50	● 2700 K ● 3000 K ● 3500 K ● 4000 K ● 5000 K
Fastening options Opzioni di fissaggio	TAM TAC TCA	Caps + Magnets Tappi + Magneti Caps + Steel clips Tappi + Clip in acciaio Caps + Adjustable brackets Tappi + Staffe orientabili
Screen Schermo	D M L	Diffused 120° Medium 30° Wide 60°
Accessories Accessori	E LV	Eyelid/Palpebra Louvers/Louvers

Order example
Esempio ordine

LL 142 F1829 27 TAM D E
LLS, 142,0 mm • 5,60 ",
182 LED/m • 55 LED/ft,
9,5 W/m • 2,9 W/ft, Warm White 2700,
Caps + Magnets, Diffused 120°, Eyelid

LLS, 142,0 mm, 182 LED/m, 9,5 W/m,
Warm White 2700, Tappi + Magneti,
Diffused 120°, Palpebra



Body Corpo

Symmetrical linear profile
 Profilo lineare simmetrico

Fastening Fissaggio	Caps + Magnets	Tappi + Magneti
	Caps + Steel clips	Tappi + Clip in acciaio
	Caps + Adjustable brackets	Tappi + Staffe orientabili

Screen Schermo	OVAL (25°x70°)	OVAL (25°x70°)
--------------------------	----------------	----------------

Wiring set Cavo alimentazione	2000 mm • 78,74 "	2000 mm
---	-------------------	---------

Ordering length Lunghezza ordinabile	Up to 3000 mm • 118,10 "	Fino a 3000 mm
--	--------------------------	----------------

Finishing Finitura	● Grey anodized (Standard) → On request other finishes	● Anodica grigia (Standard) → Su richiesta altre finiture
------------------------------	---	--

Listings and marks
 Certificazioni e marchi



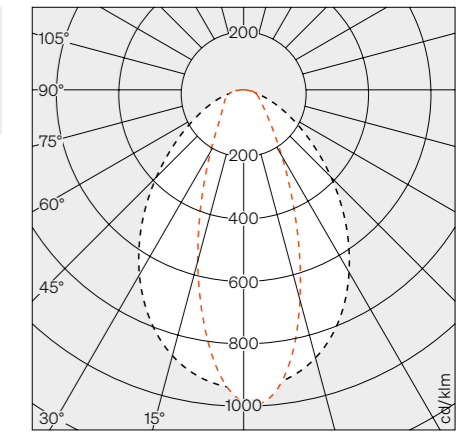
Where we produce
 Dove produciamo

Made in Italy

LED (See page 20)
 LED (Vedi pagina 20)



Light distributions Distribuzione della luce



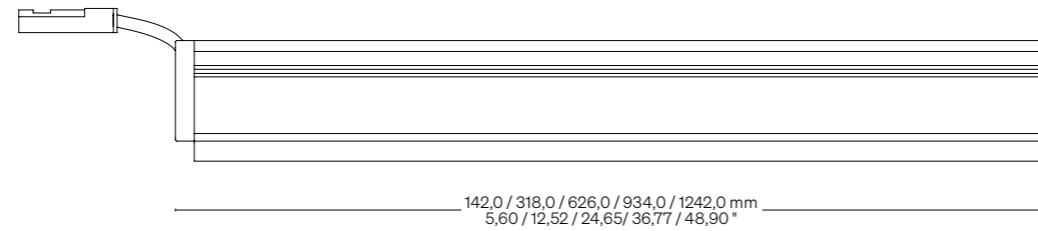
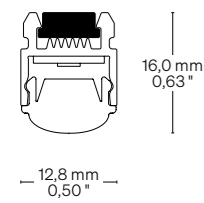
Light Luce

Light source Sorgente luminosa	182 LED/m • 55 LED/ft	182 LED/m • 55 LED/ft	182 LED/m • 55 LED/ft
Power consumption Consumo energia	9,5 W/m • 2,9 W/ft	15,7 W/m • 4,8 W/ft	19,6 W/m • 6,0 W/ft
CCT K	● 2700 K ● 3000 K ● 3500 K ● 4000 K ● 5000 K	● 2700 K ● 3000 K ● 3500 K ● 4000 K ● 5000 K	● 2700 K ● 3000 K ● 3500 K ● 4000 K ● 5000 K
On request/Su richiesta:	● Mixing/Miscelazione ● 2200 K		
CRI	Min 90	Min 90	Min 90
R9	Min 50	Min 50	Min 50
Rf @ 3000 K	92	92	92
Rg @ 3000 K	100	100	100
MacAdam ellipse	3	3	3
Delivered lumen output Flusso luminoso emesso ● 3000 K	↓ Oval - 153 lm/W 1454 lm/m • 443 lm/ft	↓ Oval - 150 lm/W 2355 lm/m • 718 lm/ft	↓ Oval - 149 lm/W 2915 lm/m • 889 lm/ft
Input voltage Tensione di ingresso	24 V DC	24 V DC	24 V DC

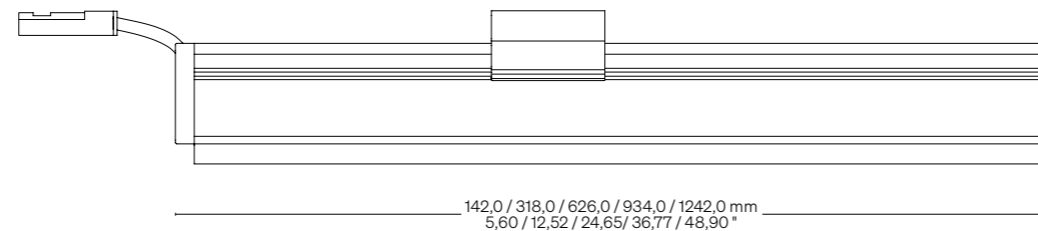
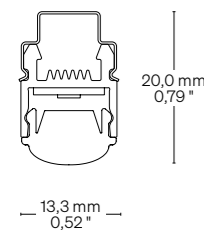
Dimensions Dimensioni

Scale/Scala 1:1

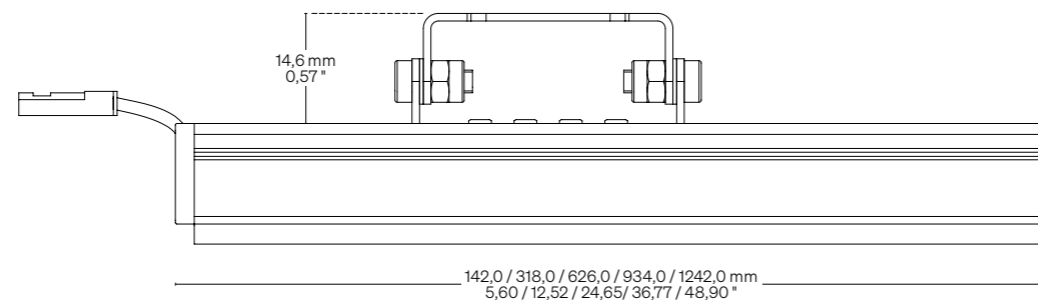
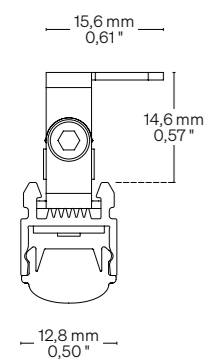
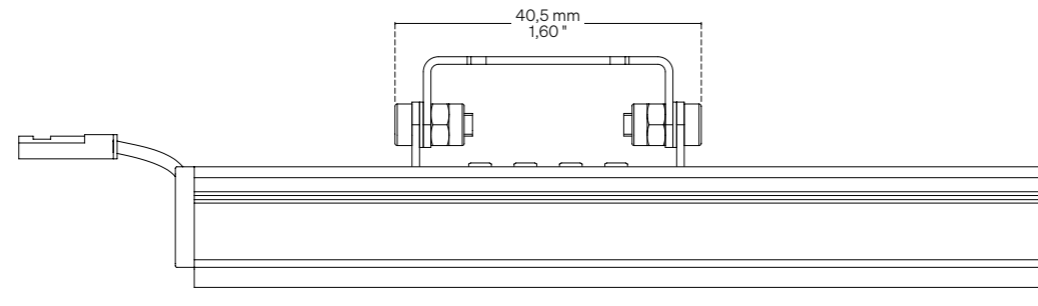
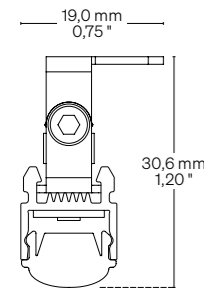
TAM Caps + Magnets
Tappi + Magneti



TAC Caps + Steel clips
Tappi + Clip in acciaio

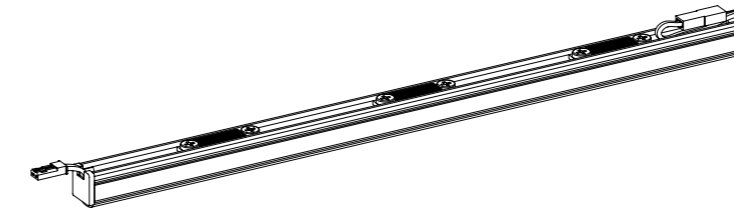


TCA Caps + Adjustable brackets
Tappi + Staffe orientabili

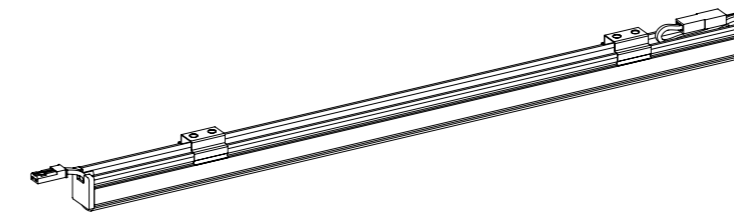


Fastening options Opzioni di fissaggio

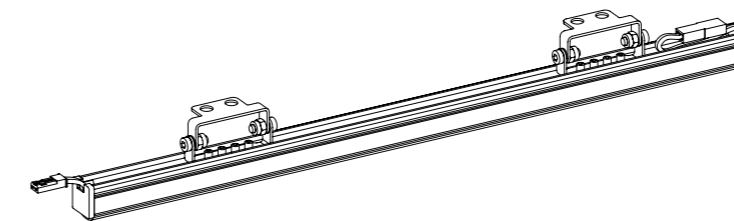
TAM Caps + Magnets
Tappi + Magneti



TAC Caps + Steel clips
Tappi + Clip in acciaio



TCA Caps + Adjustable brackets
Tappi + Staffe orientabili

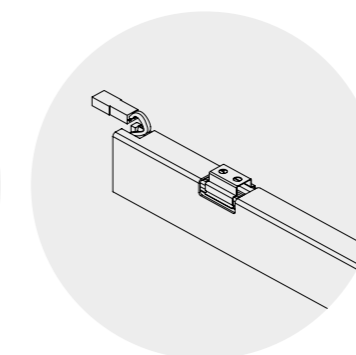


Accessories Accessori

Louvers (See page 18)
Louvres (Vedi pagina 18)



Eyelid (See page 18)
Palpebra (Vedi pagina 18)



Order code Codice ordine

Basic code Codice baset	LL	LLS (Lens Light System)
Available sizes Lunghezze disponibili	142 318 626 934 1242	142,0 mm • 5,60 " 318,0 mm • 12,52 " 626,0 mm • 24,65 " 934,0 mm • 36,77 " 1242,0 mm • 48,90 "
Light source Sorgente luminosa	F1829 F18215 F18220	182 LED/m • 55 LED/ft 9,5 W/m • 2,9 W/ft 182 LED/m • 55 LED/ft 15,7 W/m • 4,8 W/ft 182 LED/m • 55 LED/ft 19,6 W/m • 6,0 W/ft
CCT K CCT K	27 30 35 40 50	● 2700 K ● 3000 K ● 3500 K ● 4000 K ● 5000 K
Fastening options Opzioni di fissaggio	TAM TAC TCA	Caps + Magnets Tappi + Magneti Caps + Steel clips Tappi + Clip in acciaio Caps + Adjustable brackets Tappi + Staffe orientabili
Screen Schermo	O	OVAL (25°×70°)
Accessories Accessori	E LV	Eyelid/Palpebra Louvres/Louvres

Order example
Esempio ordine

LL 142 F1829 27 TAM O E
LLS, 142,0 mm • 5,60 ",
182 LED/m • 55 LED/ft,
9,5 W/m • 2,9 W/ft, Warm White 2700,
Caps + Magnets, OVAL (25°×70°), Eyelid

LLS, 142,0 mm, 182 LED/m, 9,5 W/m,
Warm White 2700, Tappi + Magneti,
OVAL (25°×70°), Palpebra

LLS • Wall Washer



Body Corpo

Symmetrical linear profile Profilo lineare simmetrico

Fastening Fissaggio	Caps + Magnets Caps + Steel clips Caps + Adjustable brackets	Tappi + Magneti Tappi + Clip in acciaio Tappi + Staffe orientabili
Screen Schermo	Wall Washer	Wall Washer
Wiring set Cavo alimentazione	2000 mm • 78,74 "	2000 mm
Ordering length Lunghezza ordinabile	Up to 3000 mm • 118,10 "	Fino a 3000 mm
Finishing Finitura	● Grey anodized (Standard) → On request other finishes	● Anodica grigia (Standard) → Su richiesta altre finiture

Listings and marks Certificazioni e marchi



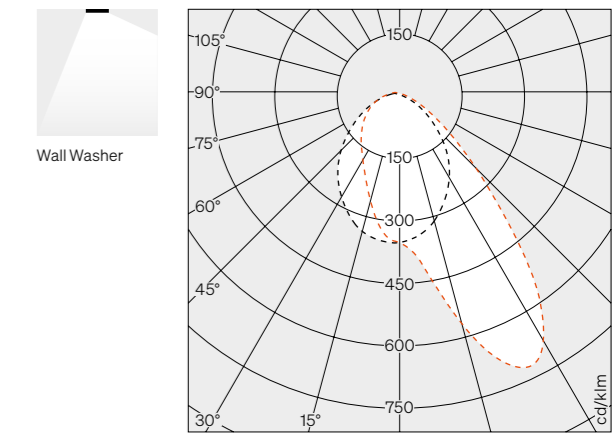
Where we produce Dove produciamo

Made in Italy

LED (See page 20) LED (Vedi pagina 20)



Light distributions Distribuzione della luce



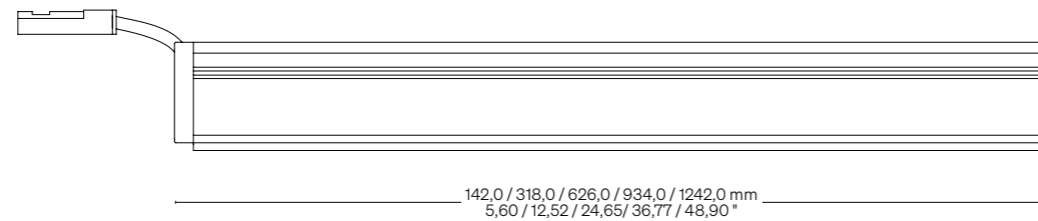
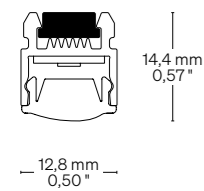
Light Luce

Light source Sorgente luminosa	182 LED/m • 55 LED/ft	182 LED/m • 55 LED/ft	182 LED/m • 55 LED/ft
Power consumption Consumo energia	9,5 W/m • 2,9 W/ft	15,7 W/m • 4,8 W/ft	19,6 W/m • 6,0 W/ft
CCT K	● 2700 K ● 3000 K ● 3500 K ● 4000 K ● 5000 K	● 2700 K ● 3000 K ● 3500 K ● 4000 K ● 5000 K	● 2700 K ● 3000 K ● 3500 K ● 4000 K ● 5000 K
On request/Su richiesta:	● Mixing/Miscelazione ● 2200 K		
CRI	Min 90	Min 90	Min 90
R9	Min 50	Min 50	Min 50
Rf @ 3000 K	92	92	92
Rg @ 3000 K	100	100	100
MacAdam ellipse	3	3	3
Delivered lumen output Flusso luminoso emesso ● 3000 K	↓ Wall Washer – 145 lm/W 1378 lm/m • 420 lm/ft	↓ Wall Washer – 147 lm/W 2308 lm/m • 704 lm/ft	↓ Wall Washer – 151 lm/W 2959 lm/m • 902 lm/ft
Input voltage Tensione di ingresso	24 V DC	24 V DC	24 V DC

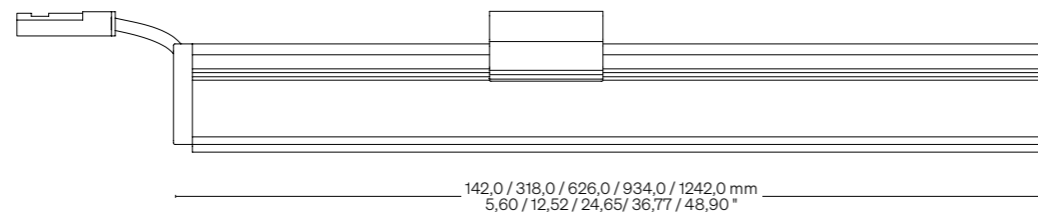
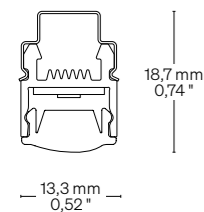
Dimensions Dimensioni

Scale/Scala 1:1

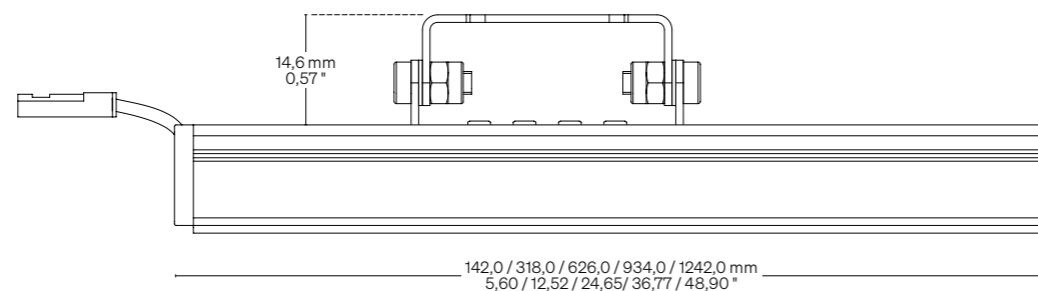
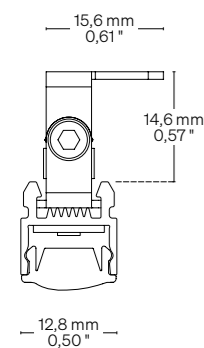
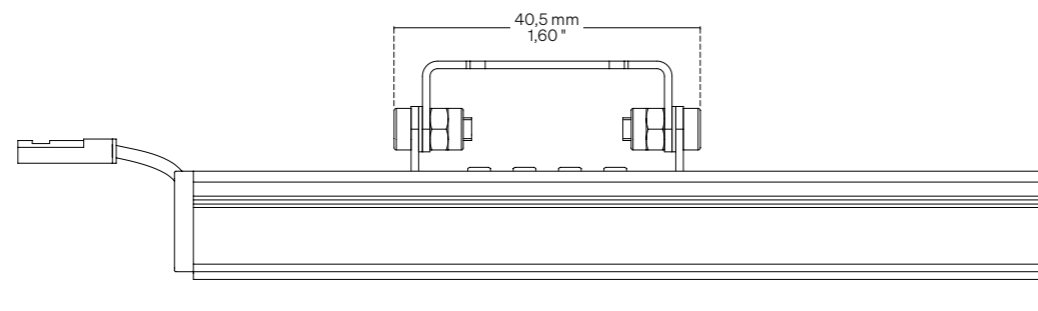
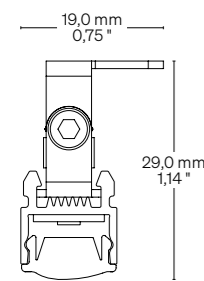
TAM Caps + Magnets
Tappi + Magneti



TAC Caps + Steel clips
Tappi + Clip in acciaio

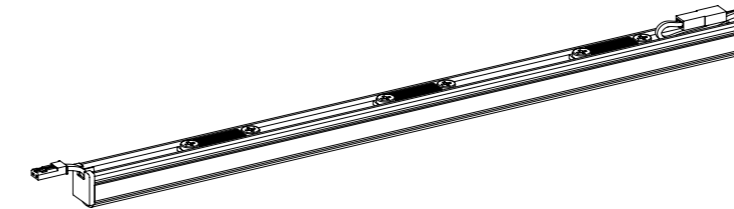


TCA Caps + Adjustable brackets
Tappi + Staffe orientabili

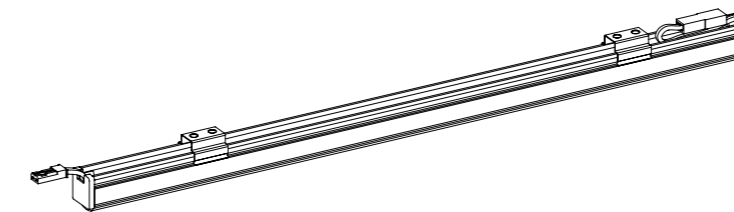


Fastening options Opzioni di fissaggio

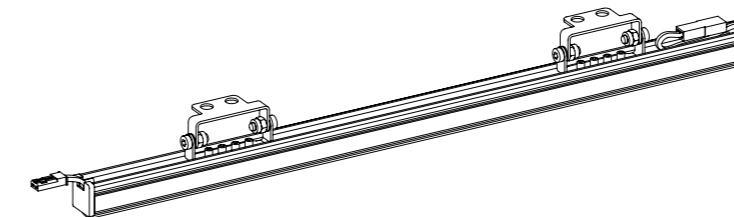
TAM Caps + Magnets
Tappi + Magneti



TAC Caps + Steel clips
Tappi + Clip in acciaio

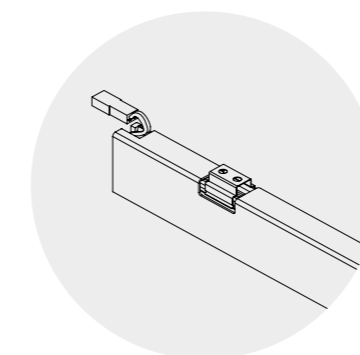


TCA Caps + Adjustable brackets
Tappi + Staffe orientabili



Accessories Accessori

Eyelid (See page 18)
Palpebra (Vedi pagina 18)



Order code Codice ordine

Basic code Codice baset	LL	LLS (Lens Light System)
Available sizes Lunghezze disponibili	142 318 626 934 1242	142,0 mm • 5,60 " 318,0 mm • 12,52 " 626,0 mm • 24,65 " 934,0 mm • 36,77 " 1242,0 mm • 48,90 "
Light source Sorgente luminosa	F1829 F18215 F18220	182 LED/m • 55 LED/ft 9,5 W/m • 2,9 W/ft 182 LED/m • 55 LED/ft 15,7 W/m • 4,8 W/ft 182 LED/m • 55 LED/ft 19,6 W/m • 6,0 W/ft
CCT K CCT K	27 30 35 40 50	● 2700 K ● 3000 K ● 3500 K ● 4000 K ● 5000 K
Fastening options Opzioni di fissaggio	TAM TAC TCA	Caps + Magnets Tappi + Magneti Caps + Steel clips Tappi + Clip in acciaio Caps + Adjustable brackets Tappi + Staffe orientabili
Screen Schermo	A	Wall Washer
Accessories Accessori	E	Eyelid/Palpebra

Order example
Esempio ordine

LL 142 F1829 27 TAM A E
LLS, 142,0 mm • 5,60 ",
182 LED/m • 55 LED/ft,
9,5 W/m • 2,9 W/ft, Warm White 2700,
Caps + Magnets, Wall Washer, Eyelid

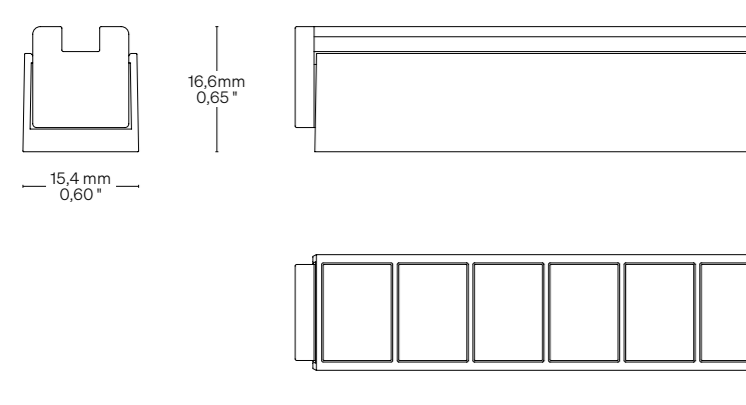
LLS, 142,0 mm, 182 LED/m, 9,5 W/m,
Warm White 2700, Tappi + Magneti,
Wall Washer, Palpebra

Accessories Accessori

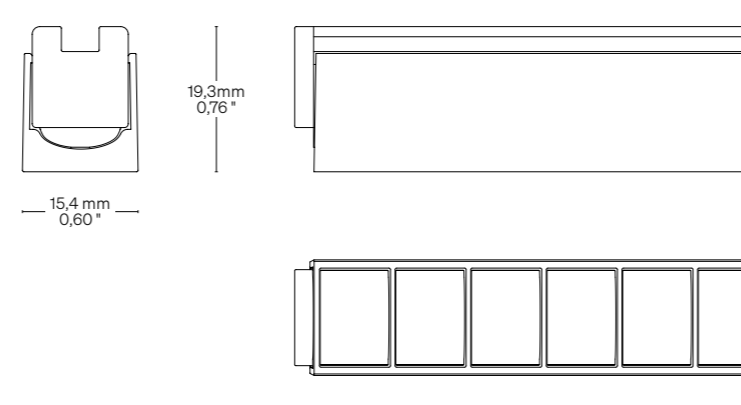
Louvers Louvers

Scale/Scala 1:1

↓ Louvers for LLS • Diffused, Medium and Wide
Louvers specifico per LLS • Diffused, Medium e Wide



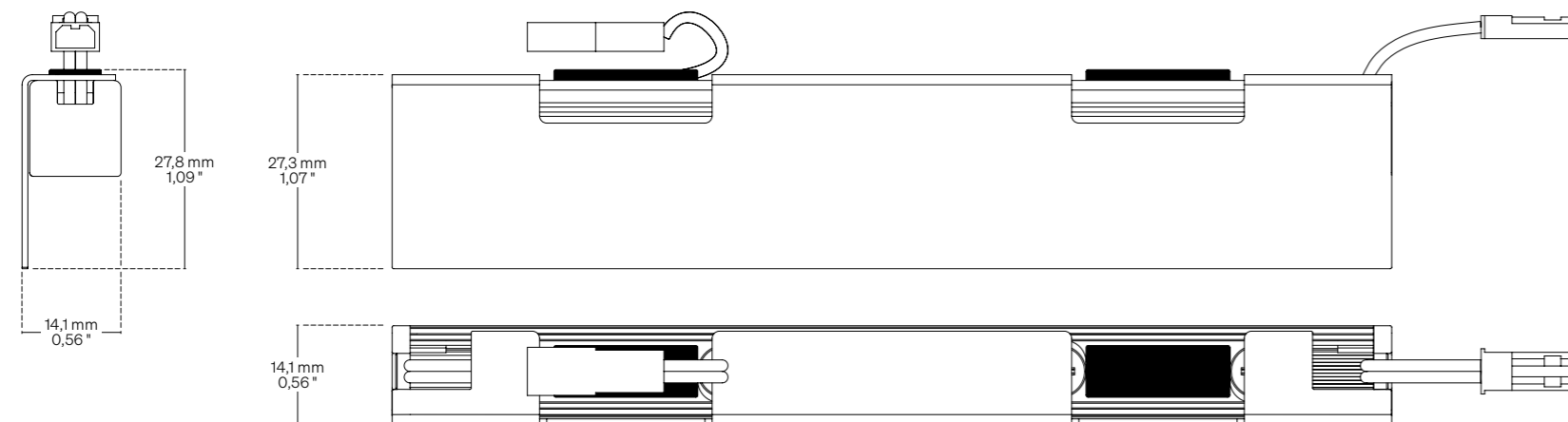
↓ Louvers for LLS • Oval
Louvers specifico per LLS • Oval



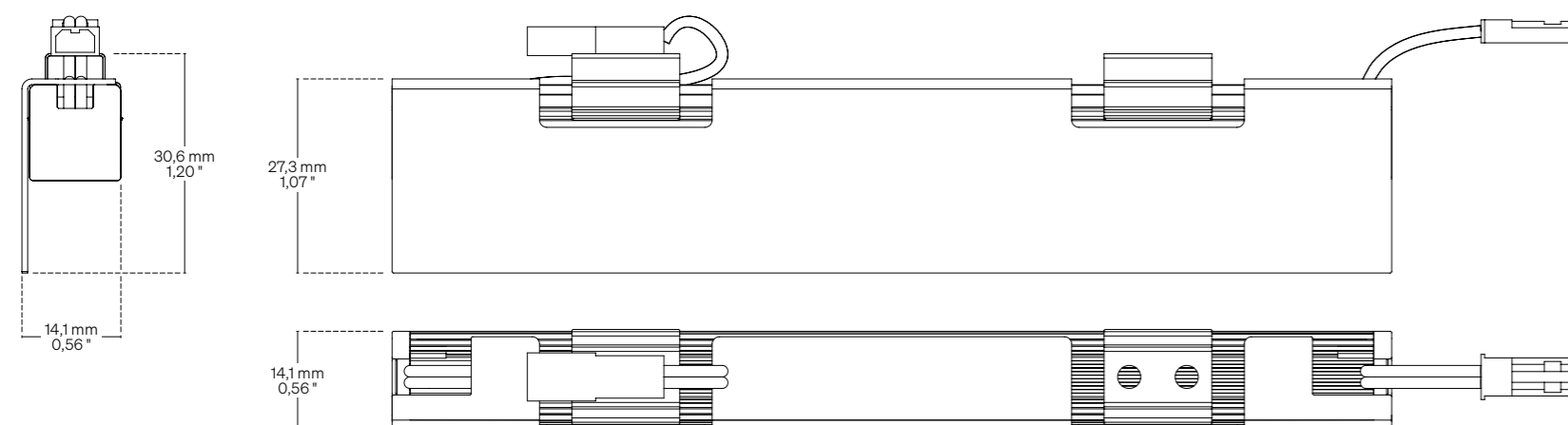
Eyelid (Only for TAM and TAC) Palpebra (Solo per TAM e TAC)

Scale/Scala 1:1

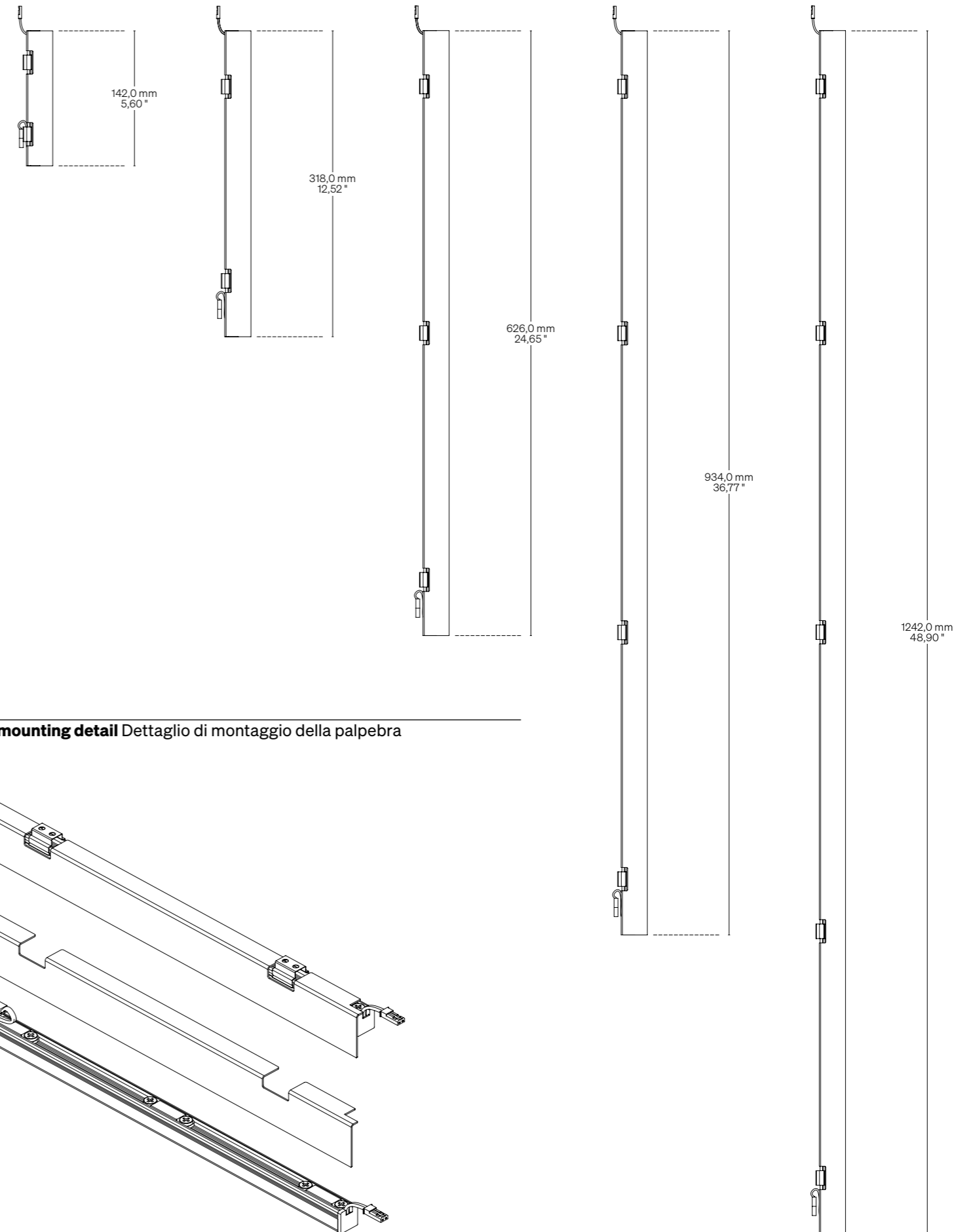
TAM Caps + Magnets
Tappi + Magneti



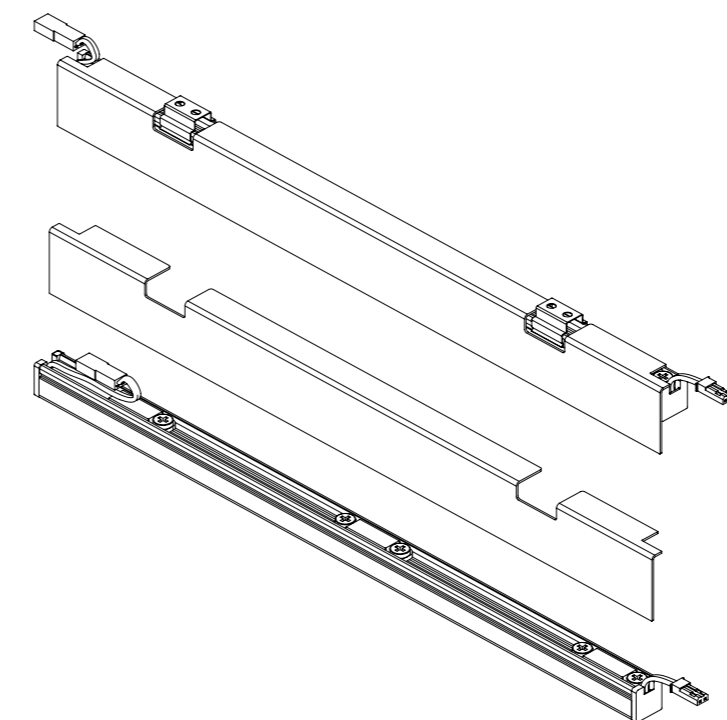
TAC Caps + Steel clips
Tappi + Clip in acciaio



Eyelid modul sizes Dimensioni moduli palpebra

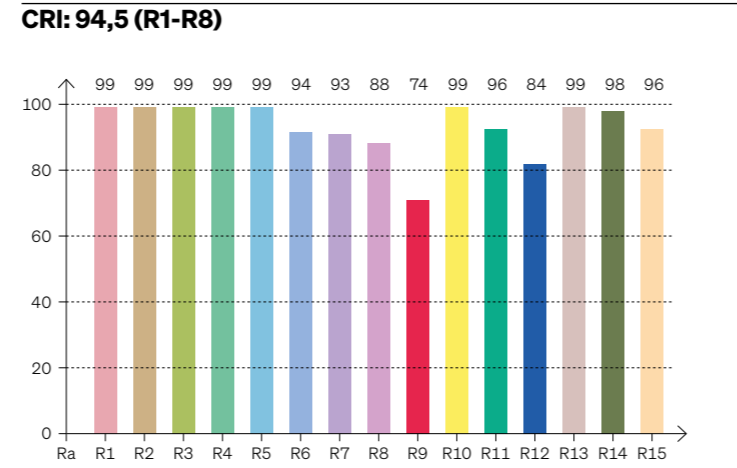


Eyelid mounting detail Dettaglio di montaggio della palpebra



CRI Typical* CRI Tipici*

R9050 – H6 • 3SDCM
High Efficacy
 ● 3000 K



* Values taken from sample measurements
 * Valori presi da misurazioni a campione

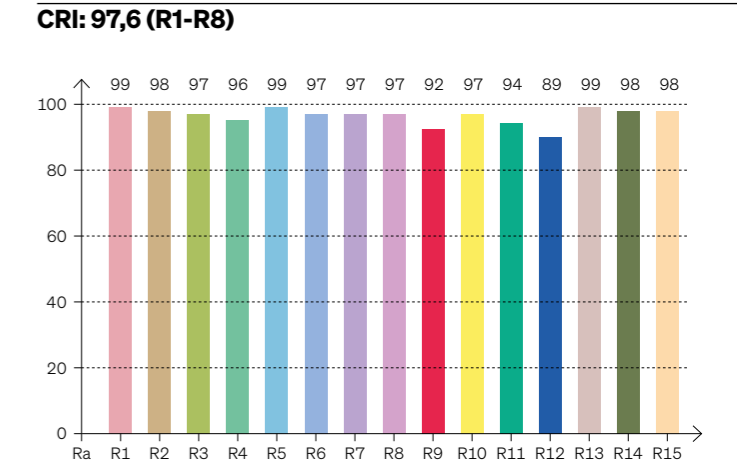
CRI Values Valori CRI

CRI	R1	R2	R3	R4	R5	R6	R7	R8	R9	R10	R11	R12	R13	R14	R15	CCT K
94,4	99	99	99	99	99	94	93	88	74	99	96	84	99	98	96	● 3000 K

Color Parameters Parametri del colore

Color Temperature	Color Rendering Index	Red Component	Color Fidelity	Color Gamut	Color Quality Scale	Color Coordinate CIE 1931	Color Coordinate CIE 1931	Color Coordinate	Color Coordinate	Color Diviation from Black Body
CCT K	CRI	CRI R9	TM30 Rf	TM30 Rg	CQS	X	Y	U	V	ΔUV
3042 K	96,2	74,4	92,2	100,5	92,9	0,441	0,399	0,255	0,347	-0,0009

FULL SPECTRUM • 3SDCM
OPTISOLIS™
 ● 3000 K



* Values taken from sample measurements
 * Valori presi da misurazioni a campione

CRI Values Valori CRI

CRI	R1	R2	R3	R4	R5	R6	R7	R8	R9	R10	R11	R12	R13	R14	R15	CCT K
97,6	99	98	97	96	99	97	97	97	92	97	94	89	99	98	98	● 3000 K

Color Parameters Parametri del colore

Color Temperature	Color Rendering Index	Red Component	Color Fidelity	Color Gamut	Color Quality Scale	Color Coordinate CIE 1931	Color Coordinate CIE 1931	Color Coordinate	Color Coordinate	Color Diviation from Black Body
CCT K	CRI	CRI R9	TM30 Rf	TM30 Rg	CQS	X	Y	U	V	ΔUV
3491 K	97,6	92,2	95,2	102,7	96,5	0,404	0,386	0,237	0,339	-0,0019

F.L.I. Formula Luci Italia S.r.l.

Head office
Sede centrale

Formula Luci Italia
Via IV Novembre, 171
25080 Prevalle (BS) - IT

Contacts
Contatti

T. +39 030 7285038
W. formulaluci.com

General information Richiesta informazioni
info@formulaluci.com

Sales Vendite
sales@formulaluci.com
vendite@formulaluci.com

Support Assistenza
customer@formulaluci.com

Technical department Ufficio tecnico
tecnico@formulaluci.com



The information and pictures contained in this catalogue are valid at time of printing. F.L.I. Formula Luci Italia Srl reserves the right to modify the content and appearance of products in the catalogue.

Le informazioni e le immagini contenute in questo catalogo sono valide al momento della stampa. F.L.I. Formula Luci Italia Srl si riserva la facoltà di modificare il contenuto e l'aspetto dei prodotti contenuti in questo catalogo.

FLI