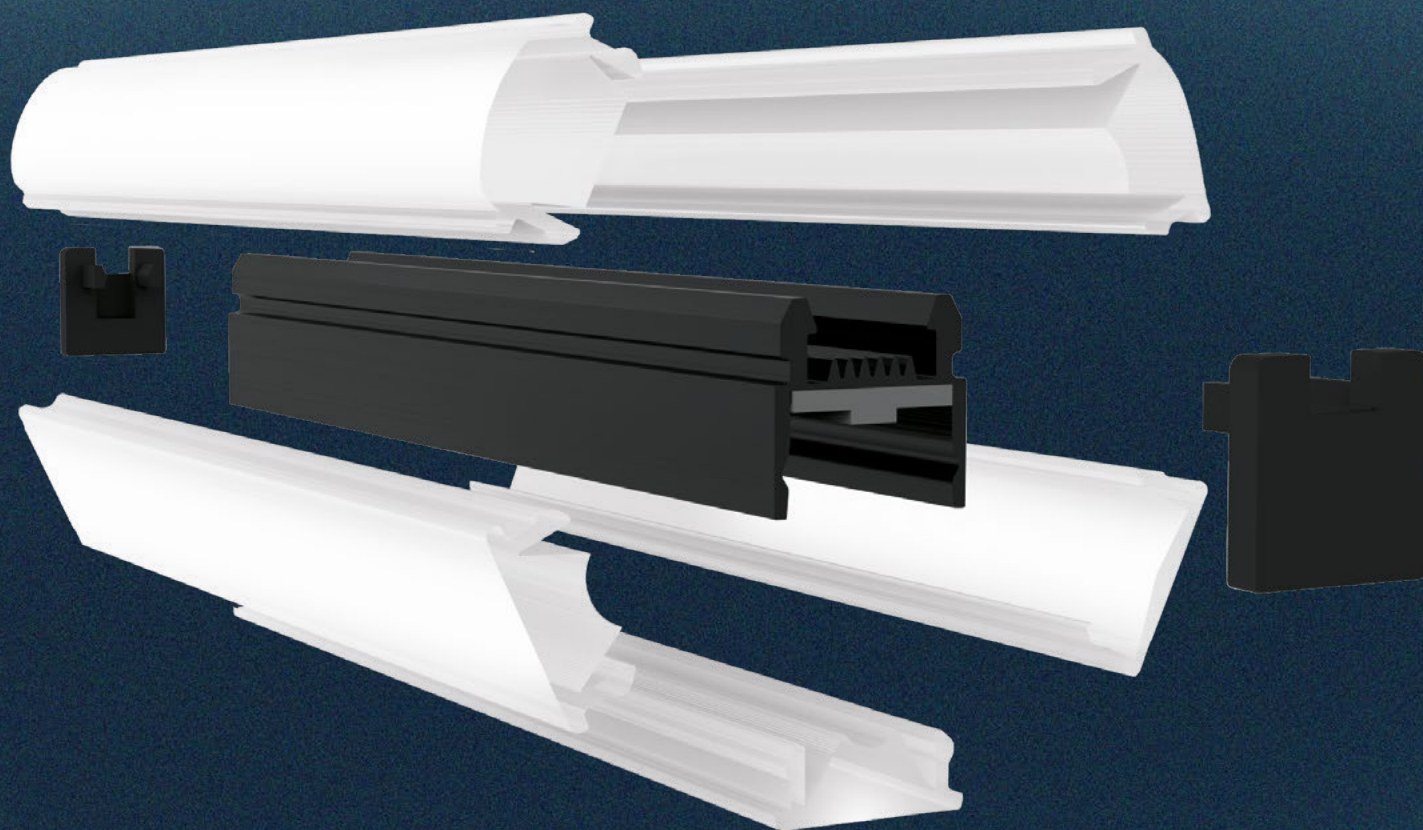


**Formula Luci**  
LLS, Lens Linear System

Linear Light System with  
five different lens optics.





# LLS, Lens Linear System

## LLS Overview Sommario LLS<sup>02</sup>

**LLS Diffused**<sup>04</sup>

**LLS Medium**<sup>04</sup>

**LLS Wide**<sup>04</sup>


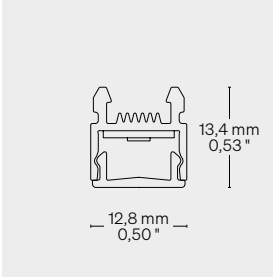
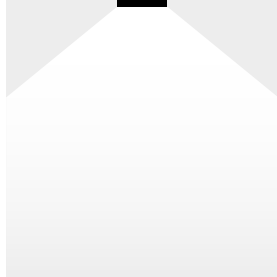

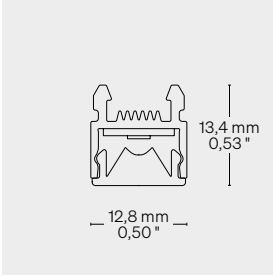
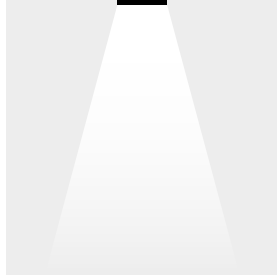

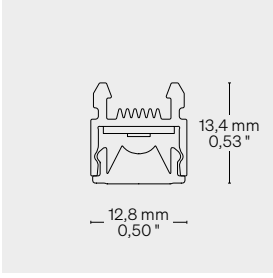
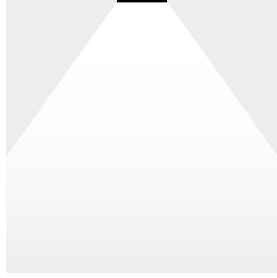

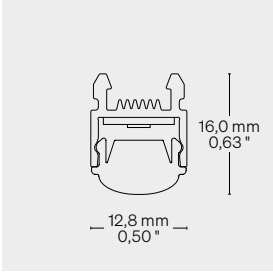
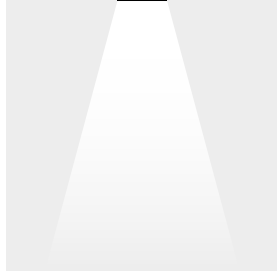

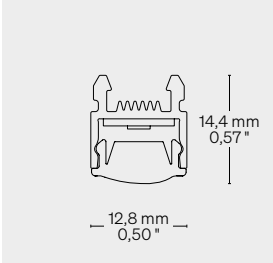

**LLS Oval**<sup>10</sup>

**LLS Wall Washer**<sup>14</sup>

**Accessories Accessori**<sup>18</sup>

**CRI Typical CRI Tipici**<sup>20</sup>

# LLS, Lens Linear System

Prod. name Nome prod.	Product Prodotto	Size Dimensioni (mm • in) (Scale/Scala 1:1)	Light Luce Light distributions/ Distribuzioni della luce	W/m • W/ft	Pag.
LLS • Diffused				9,5 W/m • 2,9 W/ft 15,7 W/m • 4,8 W/ft 19,6 W/m • 6,0 W/ft	04
LLS • Medium				9,5 W/m • 2,9 W/ft 15,7 W/m • 4,8 W/ft 19,6 W/m • 6,0 W/ft	04
LLS • Wide				9,5 W/m • 2,9 W/ft 15,7 W/m • 4,8 W/ft 19,6 W/m • 6,0 W/ft	04
LLS • Oval				9,5 W/m • 2,9 W/ft 15,7 W/m • 4,8 W/ft 19,6 W/m • 6,0 W/ft	10
LLS • Wall Washer				9,5 W/m • 2,9 W/ft 15,7 W/m • 4,8 W/ft 19,6 W/m • 6,0 W/ft	14

Pending



# LLS • Diffused, Medium, Wide



## Body Corpo

### Symmetrical linear profile

Profilo lineare simmetrico

<b>Fastening</b> Fissaggio	Caps + Magnets Caps + Steel clips Caps + Adjustable brackets	Tappi + Magneti Tappi + Clip in acciaio Tappi + Staffe orientabili
<b>Screen</b> Schermo	Diffused 120° (Pending) Medium 30° Wide 60°	Diffused 120° (Pending) Medium 30° Wide 60°
<b>Wiring set</b> Cavo alimentazione	2000 mm • 78,74 "	2000 mm
<b>Ordering length</b> Lunghezza ordinabile	Up to 3000 mm • 118,10 "	Fino a 3000 mm
<b>Finishing</b> Finitura	● Grey anodized (Standard) → On request other finishes	● Anodica grigia (Standard) → Su richiesta altre finiture

### Listings and marks

Certificazioni e marchi



### Where we produce

Dove produciamo

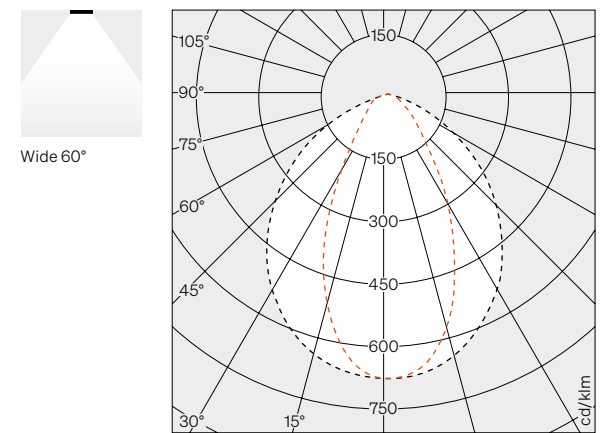
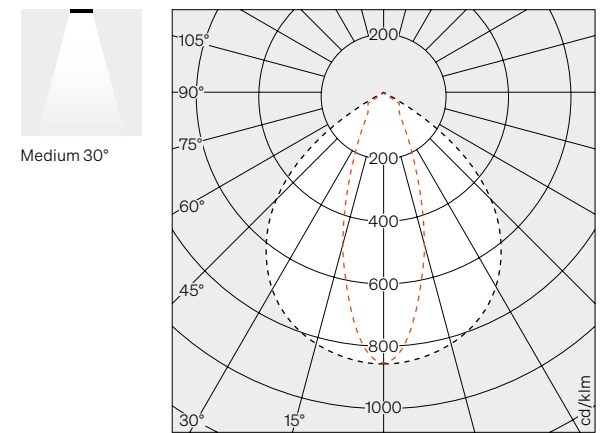
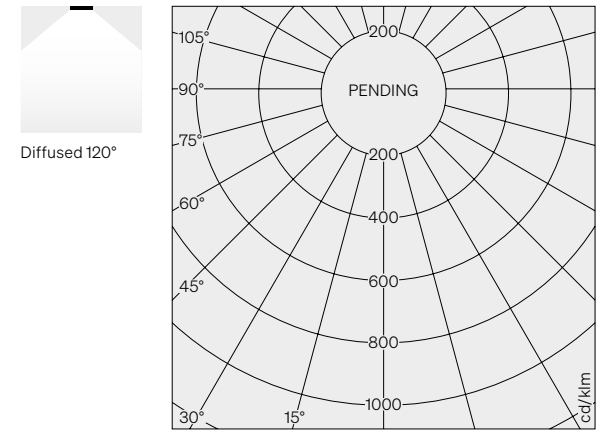
Made in Italy

### LED (See page 20)

LED (Vedi pagina 20)

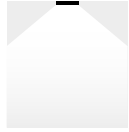


## Light distributions Distribuzione della luce



## Light Luce

### Diffused 120°



Pending

<b>Light source</b> Sorgente luminosa	182 LED/m • 55 LED/ft	182 LED/m • 55 LED/ft	182 LED/m • 55 LED/ft
<b>Power consumption</b> Consumo energia	9,5 W/m • 2,9 W/ft	15,7 W/m • 4,8 W/ft	19,6 W/m • 6,0 W/ft
<b>CCT K</b>	<ul style="list-style-type: none"> <li>● 2700 K</li> <li>● 3000 K</li> <li>● 3500 K</li> <li>● 4000 K</li> <li>● 5000 K</li> </ul>	<ul style="list-style-type: none"> <li>● 2700 K</li> <li>● 3000 K</li> <li>● 3500 K</li> <li>● 4000 K</li> <li>● 5000 K</li> </ul>	<ul style="list-style-type: none"> <li>● 2700 K</li> <li>● 3000 K</li> <li>● 3500 K</li> <li>● 4000 K</li> <li>● 5000 K</li> </ul>
<b>On request/Su richiesta:</b> ● Mixing/Miscelazione ● 2200 K			
<b>CRI</b> <b>R9</b> <b>Rf @ 3000 K</b> <b>Rg @ 3000 K</b> <b>MacAdam ellipse</b>	Min 90 Min 50 92 100 3	Min 90 Min 50 92 100 3	Min 90 Min 50 92 100 3
<b>Luminous flux (Strip LED)</b> Flusso luminoso (Strip LED) ● 3000 K	↓ <b>Diffused 120°</b> – 164 lm/W 1562 lm/m • 476 lm/ft	↓ <b>Diffused 120°</b> – 162 lm/W 2546 lm/m • 776 lm/ft	↓ <b>Diffused 120°</b> – 154 lm/W 3010 lm/m • 918 lm/ft
<b>Input voltage</b> Tensione di ingresso	24 V DC	24 V DC	24 V DC

## Light Luce

### Medium 30°



<b>Light source</b> Sorgente luminosa	182 LED/m • 55 LED/ft	182 LED/m • 55 LED/ft	182 LED/m • 55 LED/ft
<b>Power consumption</b> Consumo energia	9,5 W/m • 2,9 W/ft	15,7 W/m • 4,8 W/ft	19,6 W/m • 6,0 W/ft
<b>CCT K</b>	<ul style="list-style-type: none"> <li>● 2700 K</li> <li>● 3000 K</li> <li>● 3500 K</li> <li>● 4000 K</li> <li>● 5000 K</li> </ul>	<ul style="list-style-type: none"> <li>● 2700 K</li> <li>● 3000 K</li> <li>● 3500 K</li> <li>● 4000 K</li> <li>● 5000 K</li> </ul>	<ul style="list-style-type: none"> <li>● 2700 K</li> <li>● 3000 K</li> <li>● 3500 K</li> <li>● 4000 K</li> <li>● 5000 K</li> </ul>
<b>On request/Su richiesta:</b> ● Mixing/Miscelazione ● 2200 K			
<b>CRI</b> <b>R9</b> <b>Rf @ 3000 K</b> <b>Rg @ 3000 K</b> <b>MacAdam ellipse</b>	Min 90 Min 50 92 100 3	Min 90 Min 50 92 100 3	Min 90 Min 50 92 100 3
<b>Delivered lumen output</b> Flusso luminoso emesso ● 3000 K	↓ <b>Medium 30°</b> – 163 lm/W 1544 lm/m • 471 lm/ft	↓ <b>Medium 30°</b> – 160 lm/W 2517 lm/m • 767 lm/ft	↓ <b>Medium 30°</b> – 152 lm/W 2976 lm/m • 907 lm/ft
<b>Input voltage</b> Tensione di ingresso	24 V DC	24 V DC	24 V DC



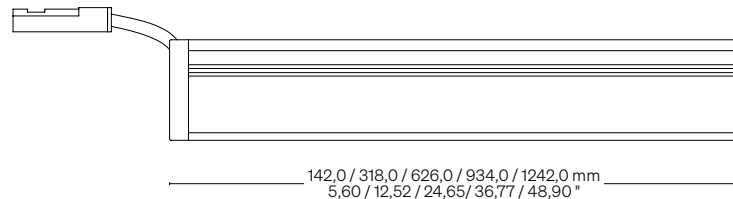
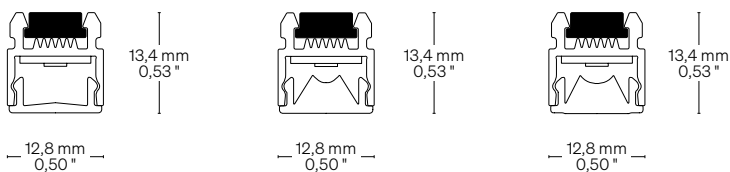
## Light Luce

### Wide 60°

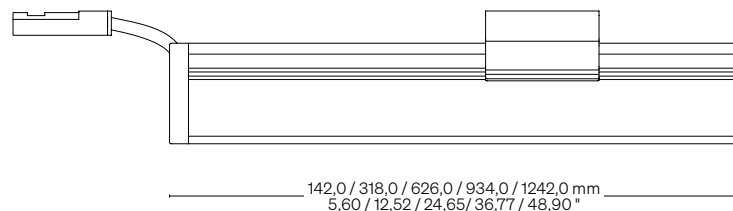
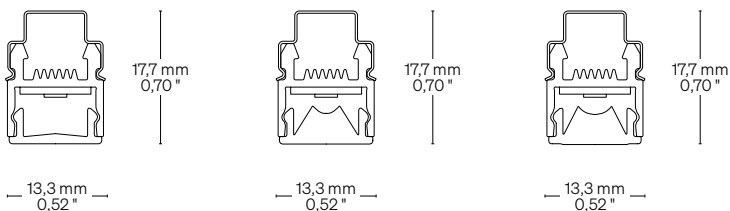


<b>Light source</b> Sorgente luminosa	182 LED/m • 55 LED/ft	182 LED/m • 55 LED/ft	182 LED/m • 55 LED/ft
<b>Power consumption</b> Consumo energia	9,5 W/m • 2,9 W/ft	15,7 W/m • 4,8 W/ft	19,6 W/m • 6,0 W/ft
<b>CCT K</b>	● 2700 K ● 3000 K ● 3500 K ● 4000 K ● 5000 K	● 2700 K ● 3000 K ● 3500 K ● 4000 K ● 5000 K	● 2700 K ● 3000 K ● 3500 K ● 4000 K ● 5000 K
<b>On request/Su richiesta:</b> ● Mixing/Miscelazione ● 2200 K			
<b>CRI</b> <b>R9</b> <b>Rf @ 3000 K</b> <b>Rg @ 3000 K</b> <b>MacAdam ellipse</b>	Min 90 Min 50 92 100 3	Min 90 Min 50 92 100 3	Min 90 Min 50 92 100 3
<b>Delivered lumen output</b> Flusso luminoso emesso ● 3000 K	↓ <b>Wide 60°</b> – 165 lm/W 1572 lm/m • 479 lm/ft	↓ <b>Wide 60°</b> – 163 lm/W 2563 lm/m • 781 lm/ft	↓ <b>Wide 60°</b> – 155 lm/W 3030 lm/m • 924 lm/ft
<b>Input voltage</b> Tensione di ingresso	24 V DC	24 V DC	24 V DC

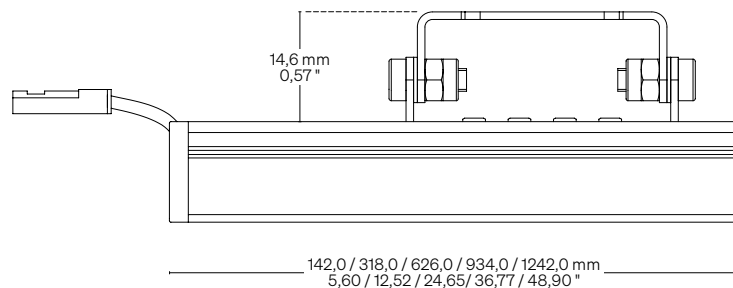
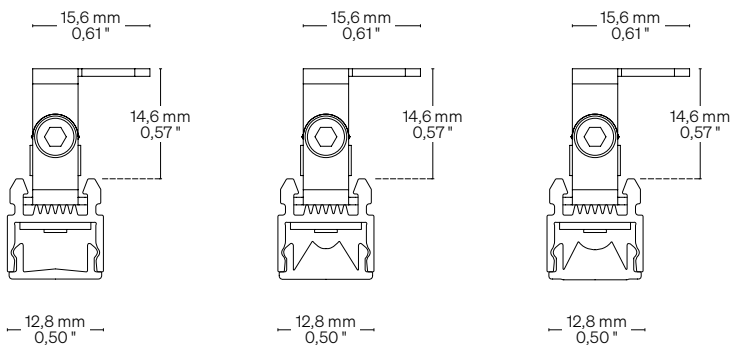
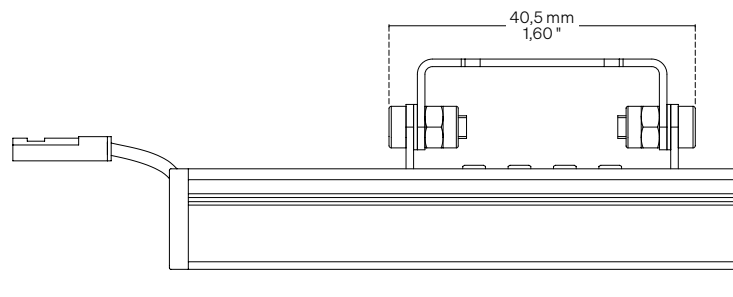
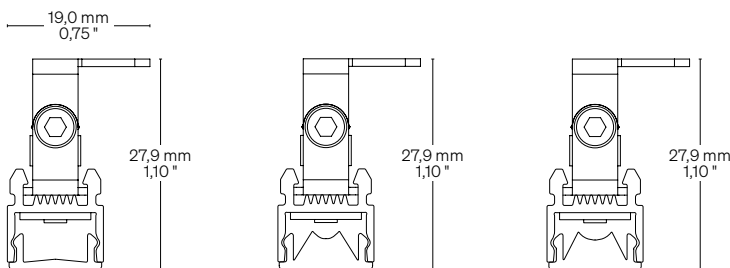
**TAM** Caps + Magnets  
Tappi + Magneti



**TAC** Caps + Steel clips  
Tappi + Clip in acciaio

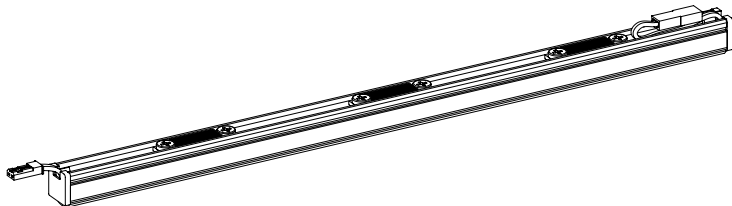


**TCA** Caps + Adjustable brackets  
Tappi + Staffe orientabili

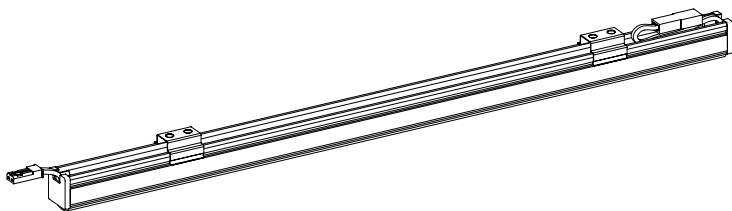


## Fastening options Opzioni di fissaggio

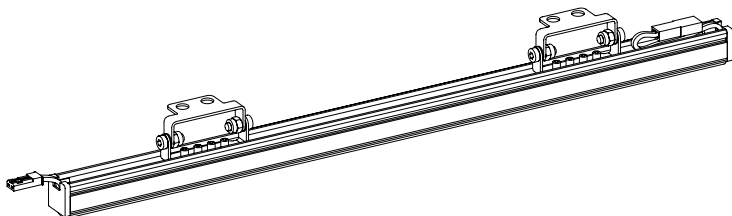
**TAM** Caps + Magnets  
Tappi + Magneti



**TAC** Caps + Steel clips  
Tappi + Clip in acciaio



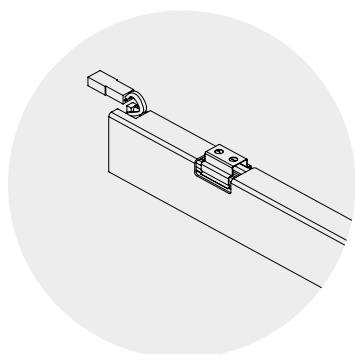
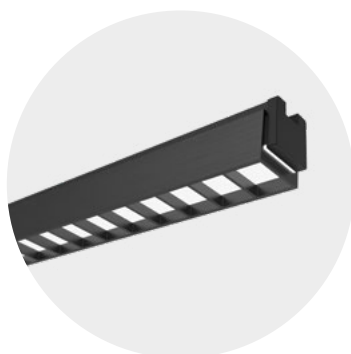
**TCA** Caps + Adjustable brackets  
Tappi + Staffe orientabili



## Accessories Accessori

Louvers • Pending (See page 18)  
Louvers • Pending (Vedi pagina 18)

Eyelid (See page 18)  
Palpebra (Vedi pagina 18)



## Order code Codice ordine

<b>Basic code</b> Codice base	<b>LL</b>	LLS (Lens Light System)
<b>Available sizes</b> Lunghezze disponibili	<b>142</b> <b>318</b> <b>626</b> <b>934</b> <b>1242</b>	142,0 mm • 5,60 " 318,0 mm • 12,52 " 626,0 mm • 24,65 " 934,0 mm • 36,77 " 1242,0 mm • 48,90 "
<b>Light source</b> Sorgente luminosa	<b>F1829</b> <b>F18215</b> <b>F18220</b>	182 LED/m • 55 LED/ft 9,5 W/m • 2,9 W/ft 182 LED/m • 55 LED/ft 15,7 W/m • 4,8 W/ft 182 LED/m • 55 LED/ft 19,6 W/m • 6,0 W/ft
<b>CCT K</b> CCT K	<b>27</b> <b>30</b> <b>35</b> <b>40</b> <b>50</b>	2700 K 3000 K 3500 K 4000 K 5000 K
<b>Fastening options</b> Opzioni di fissaggio	<b>TAM</b> <b>TAC</b> <b>TCA</b>	Caps + Magnets Tappi + Magneti Caps + Steel clips Tappi + Clip in acciaio Caps + Adjustable brackets Tappi + Staffe orientabili
<b>Screen</b> Schermo	<b>D</b> <b>M</b> <b>L</b>	Diffused 120° Medium 30° Wide 60°
<b>Accessories</b> Accessori	<b>E</b> <b>LV</b>	Eyelid/Palpebra Louvers/Louvers • Pending

**Order example**  
Esempio ordine

**LL 142 F1829 27 TAM DE**

LLS, 142,0 mm • 5,60 ",  
182 LED/m • 55 LED/ft,  
9,5 W/m • 2,9 W/ft, Warm White 2700,  
Caps + Magnets, Diffused 120°, Eyelid

LLS, 142,0 mm, 182 LED/m, 9,5 W/m,  
Warm White 2700, Tappi + Magneti,  
Diffused 120°, Palpebra

# LLS • Oval



## Body Corpo

### Symmetrical linear profile

Profilo lineare simmetrico

<b>Fastening</b> Fissaggio	Caps + Magnets Caps + Steel clips Caps + Adjustable brackets	Tappi + Magneti Tappi + Clip in acciaio Tappi + Staffe orientabili
<b>Screen</b> Schermo	OVAL (25°×70°)	OVAL (25°×70°)
<b>Wiring set</b> Cavo alimentazione	2000 mm • 78,74 "	2000 mm
<b>Ordering length</b> Lunghezza ordinabile	Up to 3000 mm • 118,10 "	Fino a 3000 mm
<b>Finishing</b> Finitura	● Grey anodized (Standard) → On request other finishes	● Anodica grigia (Standard) → Su richiesta altre finiture

### Listings and marks

Certificazioni e marchi



### Where we produce

Dove produciamo

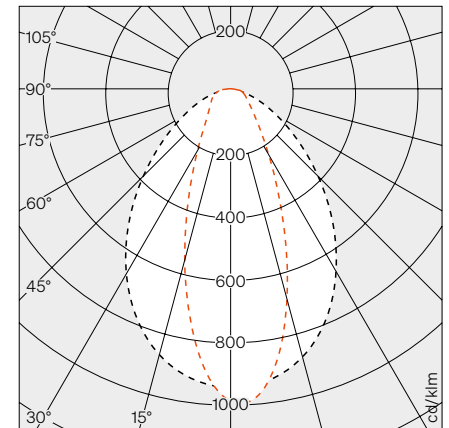
Made in Italy

### LED (See page 20)

LED (Vedi pagina 20)



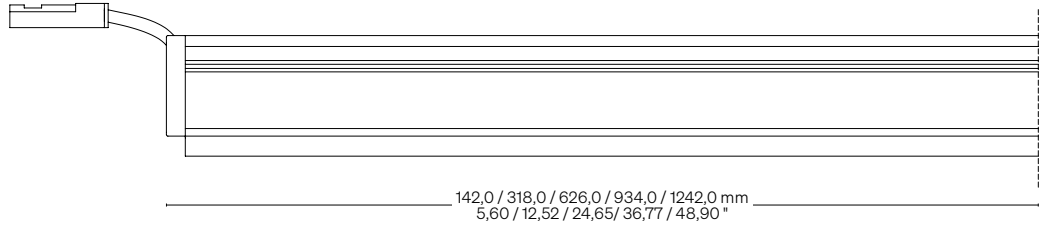
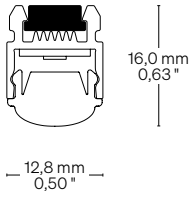
## Light distributions Distribuzione della luce



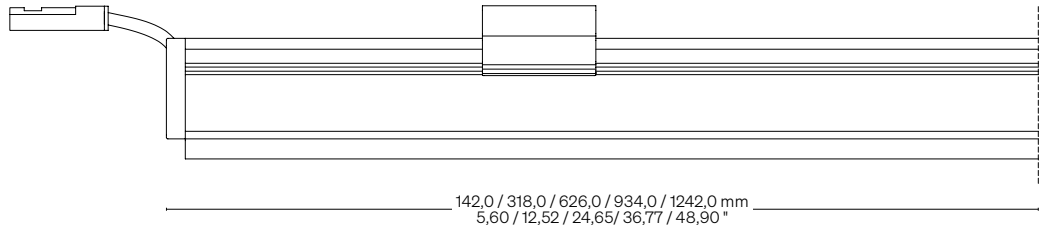
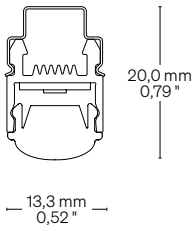
## Light Luce

<b>Light source</b> Sorgente luminosa	182 LED/m • 55 LED/ft	182 LED/m • 55 LED/ft	182 LED/m • 55 LED/ft
<b>Power consumption</b> Consumo energia	9,5 W/m • 2,9 W/ft	15,7 W/m • 4,8 W/ft	19,6 W/m • 6,0 W/ft
<b>CCT K</b>	● 2700 K ● 3000 K	● 2700 K ● 3000 K	● 2700 K ● 3000 K
<b>On request/Su richiesta:</b> ● Mixing/Miscelazione ● 2200 K	● 3500 K ● 4000 K ● 5000 K	● 3500 K ● 4000 K ● 5000 K	● 3500 K ● 4000 K ● 5000 K
<b>CRI</b> <b>R9</b> <b>Rf @ 3000 K</b> <b>Rg @ 3000 K</b> <b>MacAdam ellipse</b>	Min 90 Min 50 92 100 3	Min 90 Min 50 92 100 3	Min 90 Min 50 92 100 3
<b>Delivered lumen output</b> Flusso luminoso emesso ● 3000 K	↓ Oval – 153 lm/W 1454 lm/m • 443 lm/ft	↓ Oval – 150 lm/W 2355 lm/m • 718 lm/ft	↓ Oval – 149 lm/W 2915 lm/m • 889 lm/ft
<b>Input voltage</b> Tensione di ingresso	24 V DC	24 V DC	24 V DC

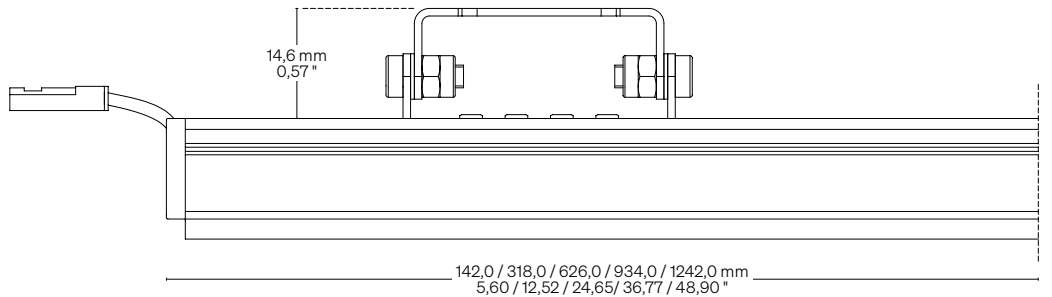
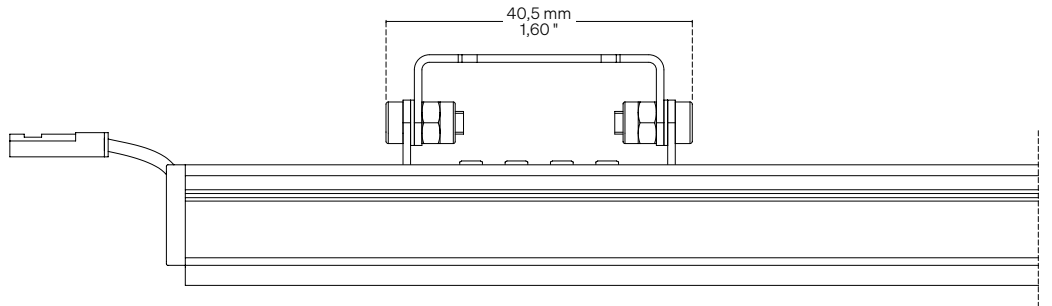
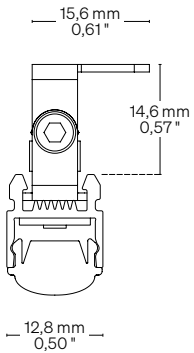
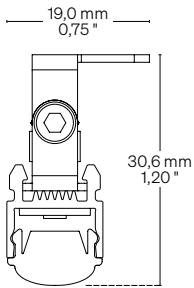
**TAM** Caps + Magnets  
Tappi + Magneti



**TAC** Caps + Steel clips  
Tappi + Clip in acciaio

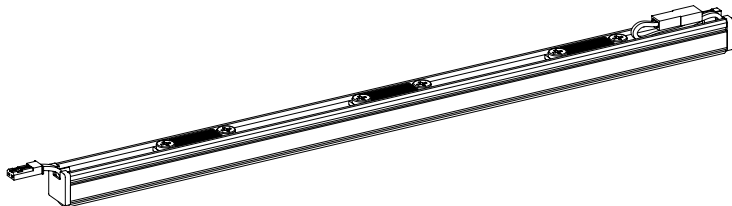


**TCA** Caps + Adjustable brackets  
Tappi + Staffe orientabili

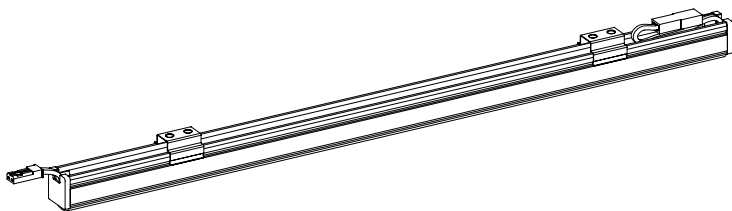


## Fastening options Opzioni di fissaggio

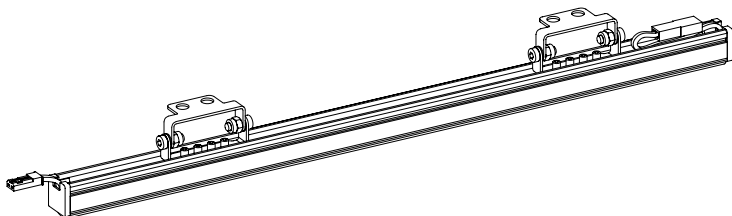
**TAM** Caps + Magnets  
Tappi + Magneti



**TAC** Caps + Steel clips  
Tappi + Clip in acciaio



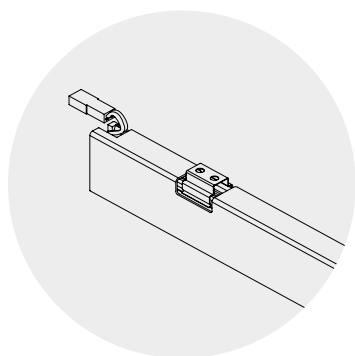
**TCA** Caps + Adjustable brackets  
Tappi + Staffe orientabili



## Accessories Accessori

Louvers • Pending (See page 18)  
Louvers • Pending (Vedi pagina 18)

Eyelid (See page 18)  
Palpebra (Vedi pagina 18)



## Order code Codice ordine

<b>Basic code</b> Codice base	<b>LL</b>	LLS (Lens Light System)
<b>Available sizes</b> Lunghezze disponibili	<b>142</b> <b>318</b> <b>626</b> <b>934</b> <b>1242</b>	142,0 mm • 5,60 " 318,0 mm • 12,52 " 626,0 mm • 24,65 " 934,0 mm • 36,77 " 1242,0 mm • 48,90 "
<b>Light source</b> Sorgente luminosa	<b>F1829</b> <b>F18215</b> <b>F18220</b>	182 LED/m • 55 LED/ft 9,5 W/m • 2,9 W/ft 182 LED/m • 55 LED/ft 15,7 W/m • 4,8 W/ft 182 LED/m • 55 LED/ft 19,6 W/m • 6,0 W/ft
<b>CCT K</b> CCT K	<b>27</b> <b>30</b> <b>35</b> <b>40</b> <b>50</b>	2700 K 3000 K 3500 K 4000 K 5000 K
<b>Fastening options</b> Opzioni di fissaggio	<b>TAM</b> <b>TAC</b> <b>TCA</b>	Caps + Magnets Tappi + Magneti Caps + Steel clips Tappi + Clip in acciaio Caps + Adjustable brackets Tappi + Staffe orientabili
<b>Screen</b> Schermo	<b>O</b>	OVAL (25°×70°)
<b>Accessories</b> Accessori	<b>E</b> <b>LV</b>	Eyelid/Palpebra Louvers/Louvers • Pending

**Order example**  
Esempio ordine

**LL 142 F1829 27 TAM O E**

LLS, 142,0 mm • 5,60 ",  
182 LED/m • 55 LED/ft,  
9,5 W/m • 2,9 W/ft, Warm White 2700,  
Caps + Magnets, OVAL (25°×70°), Eyelid

LLS, 142,0 mm, 182 LED/m, 9,5 W/m,  
Warm White 2700, Tappi + Magneti,  
OVAL (25°×70°), Palpebra

# LLS • Wall Washer





## Body Corpo

### Symmetrical linear profile

Profilo lineare simmetrico

<b>Fastening</b> Fissaggio	Caps + Magnets Caps + Steel clips Caps + Adjustable brackets	Tappi + Magneti Tappi + Clip in acciaio Tappi + Staffe orientabili
<b>Screen</b> Schermo	Wall Washer	Wall Washer
<b>Wiring set</b> Cavo alimentazione	2000 mm • 78,74 "	2000 mm
<b>Ordering length</b> Lunghezza ordinabile	Up to 3000 mm • 118,10 "	Fino a 3000 mm
<b>Finishing</b> Finitura	● Grey anodized (Standard) → On request other finishes	● Anodica grigia (Standard) → Su richiesta altre finiture

### Listings and marks

Certificazioni e marchi



### Where we produce

Dove produciamo

Made in Italy

### LED (See page 20)

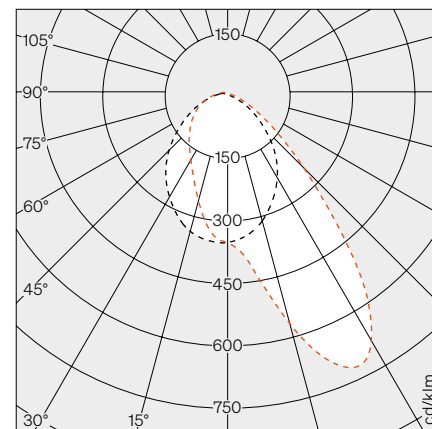
LED (Vedi pagina 20)



## Light distributions Distribuzione della luce



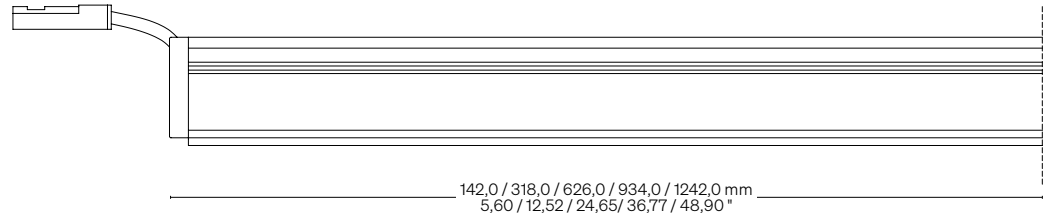
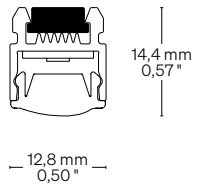
Wall Washer



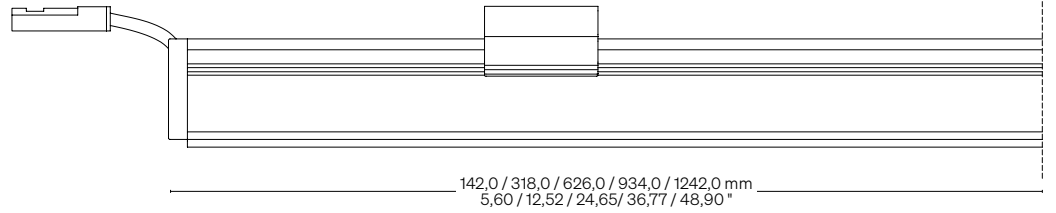
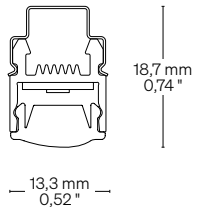
## Light Luce

<b>Light source</b> Sorgente luminosa	182 LED/m • 55 LED/ft	182 LED/m • 55 LED/ft	182 LED/m • 55 LED/ft
<b>Power consumption</b> Consumo energia	9,5 W/m • 2,9 W/ft	15,7 W/m • 4,8 W/ft	19,6 W/m • 6,0 W/ft
<b>CCT K</b>	● 2700 K ● 3000 K	● 2700 K ● 3000 K	● 2700 K ● 3000 K
<b>On request/Su richiesta:</b> ● Mixing/Miscelazione ● 2200 K	● 3500 K ● 4000 K ● 5000 K	● 3500 K ● 4000 K ● 5000 K	● 3500 K ● 4000 K ● 5000 K
<b>CRI</b> <b>R9</b> <b>Rf @ 3000 K</b> <b>Rg @ 3000 K</b> <b>MacAdam ellipse</b>	Min 90 Min 50 92 100 3	Min 90 Min 50 92 100 3	Min 90 Min 50 92 100 3
<b>Delivered lumen output</b> Flusso luminoso emesso ● 3000 K	↓ <b>Wall Washer</b> – 145 lm/W 1378 lm/m • 420 lm/ft	↓ <b>Wall Washer</b> – 147 lm/W 2308 lm/m • 704 lm/ft	↓ <b>Wall Washer</b> – 151 lm/W 2959 lm/m • 902 lm/ft
<b>Input voltage</b> Tensione di ingresso	24 V DC	24 V DC	24 V DC

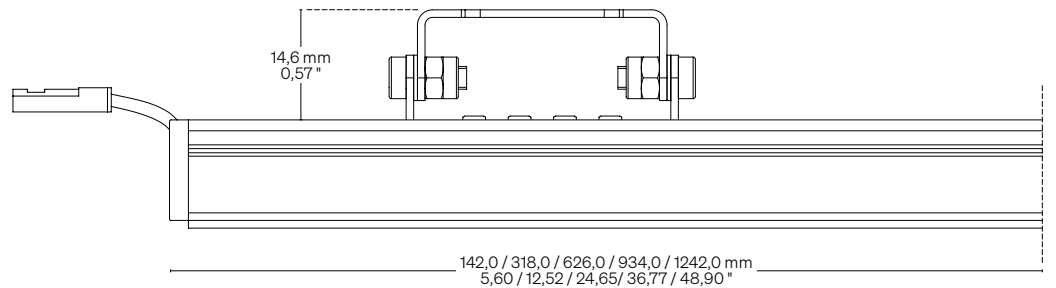
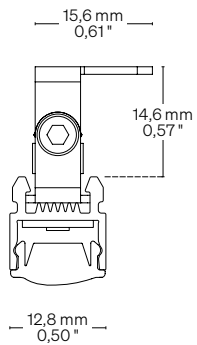
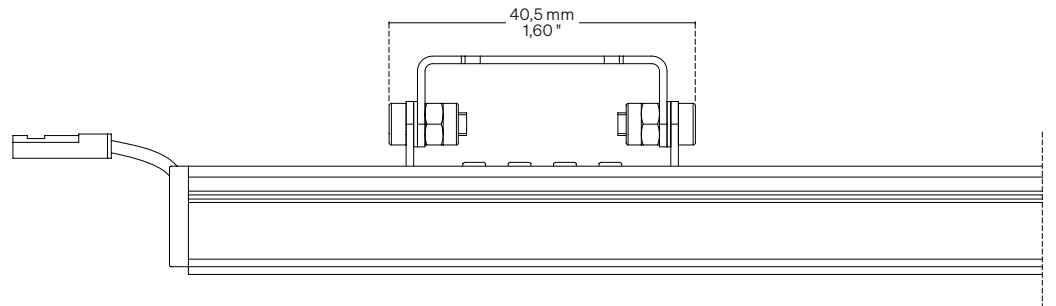
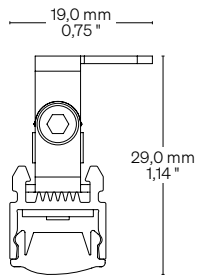
**TAM** Caps + Magnets  
Tappi + Magneti



**TAC** Caps + Steel clips  
Tappi + Clip in acciaio

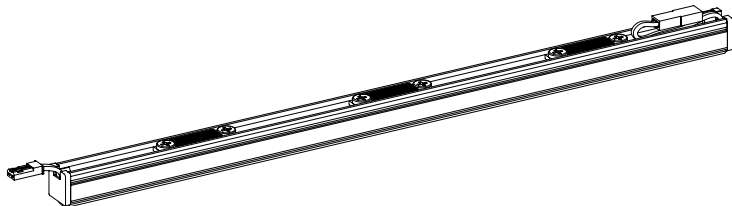


**TCA** Caps + Adjustable brackets  
Tappi + Staffe orientabili

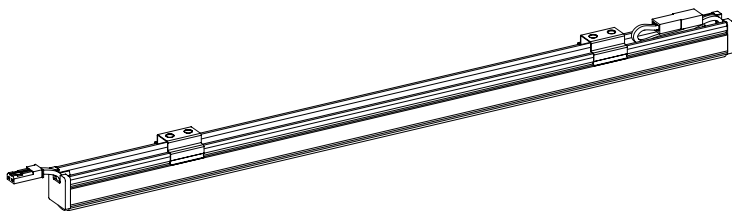


## Fastening options Opzioni di fissaggio

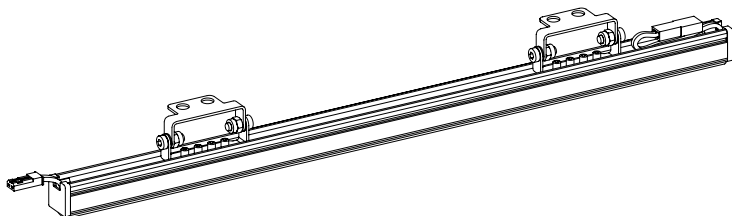
**TAM** Caps + Magnets  
Tappi + Magneti



**TAC** Caps + Steel clips  
Tappi + Clip in acciaio

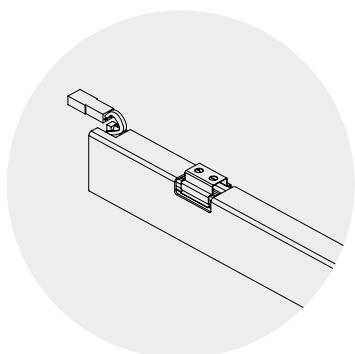


**TCA** Caps + Adjustable brackets  
Tappi + Staffe orientabili



## Accessories Accessori

Eyelid (See page 18)  
Palpebra (Vedi pagina 18)



## Order code Codice ordine

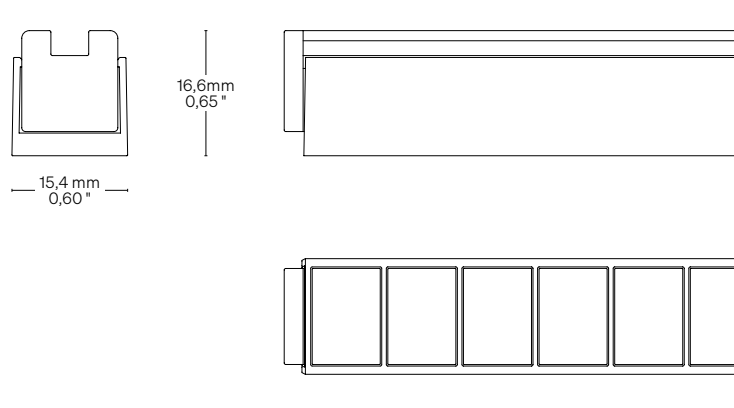
<b>Basic code</b> Codice base	<b>LL</b>	LLS (Lens Light System)
<b>Available sizes</b> Lunghezze disponibili	<b>142</b> <b>318</b> <b>626</b> <b>934</b> <b>1242</b>	142,0 mm • 5,60 " 318,0 mm • 12,52 " 626,0 mm • 24,65 " 934,0 mm • 36,77 " 1242,0 mm • 48,90 "
<b>Light source</b> Sorgente luminosa	<b>F1829</b> <b>F18215</b> <b>F18220</b>	182 LED/m • 55 LED/ft 9,5 W/m • 2,9 W/ft 182 LED/m • 55 LED/ft 15,7 W/m • 4,8 W/ft 182 LED/m • 55 LED/ft 19,6 W/m • 6,0 W/ft
<b>CCT K</b> CCT K	<b>27</b> <b>30</b> <b>35</b> <b>40</b> <b>50</b>	● 2700 K ● 3000 K ● 3500 K ● 4000 K ● 5000 K
<b>Fastening options</b> Opzioni di fissaggio	<b>TAM</b> <b>TAC</b> <b>TCA</b>	Caps + Magnets Tappi + Magneti Caps + Steel clips Tappi + Clip in acciaio Caps + Adjustable brackets Tappi + Staffe orientabili
<b>Screen</b> Schermo	<b>A</b>	Wall Washer
<b>Accessories</b> Accessori	<b>E</b>	Eyelid/Palpebra
<b>Order example</b> Esempio ordine	<b>LL 142 F1829 27 TAM A E</b>	
	LLS, 142,0 mm • 5,60 ", 182 LED/m • 55 LED/ft, 9,5 W/m • 2,9 W/ft, Warm White 2700, Caps + Magnets, Wall Washer, Eyelid	
	LLS, 142,0 mm, 182 LED/m, 9,5 W/m, Warm White 2700, Tappi + Magneti, Wall Washer, Palpebra	

# Accessories Accessori

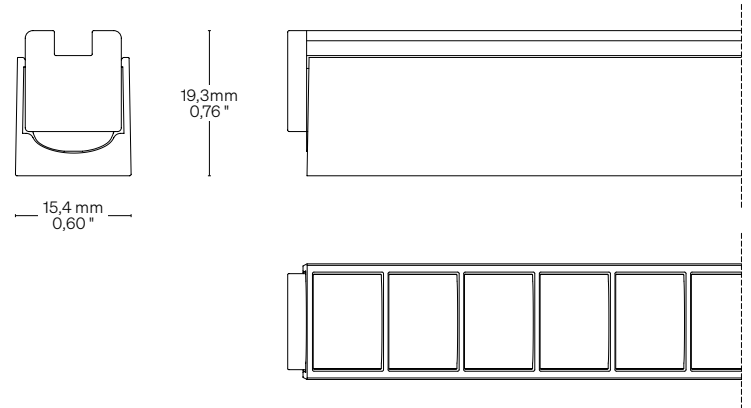
## Louvers Louvers

Scale/Scala 1:1

↓ Louvers for LLS • Pending • Diffused, Medium and Wide  
Louvers specifico per LLS • Pending • Diffused, Medium e Wide



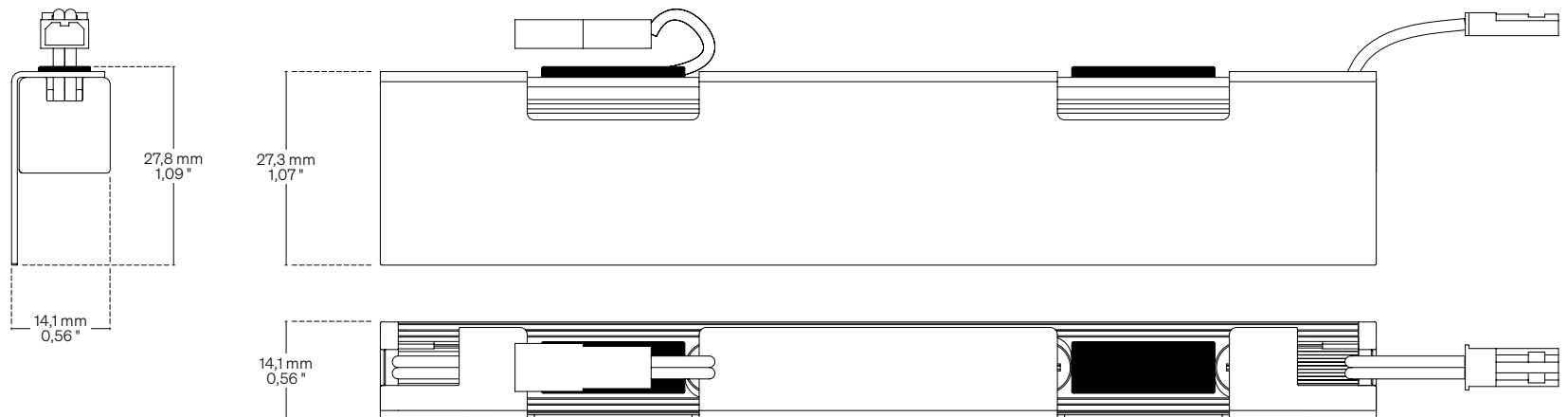
↓ Louvers for LLS • Pending • Oval  
Louvers specifico per LLS • Pending • Oval



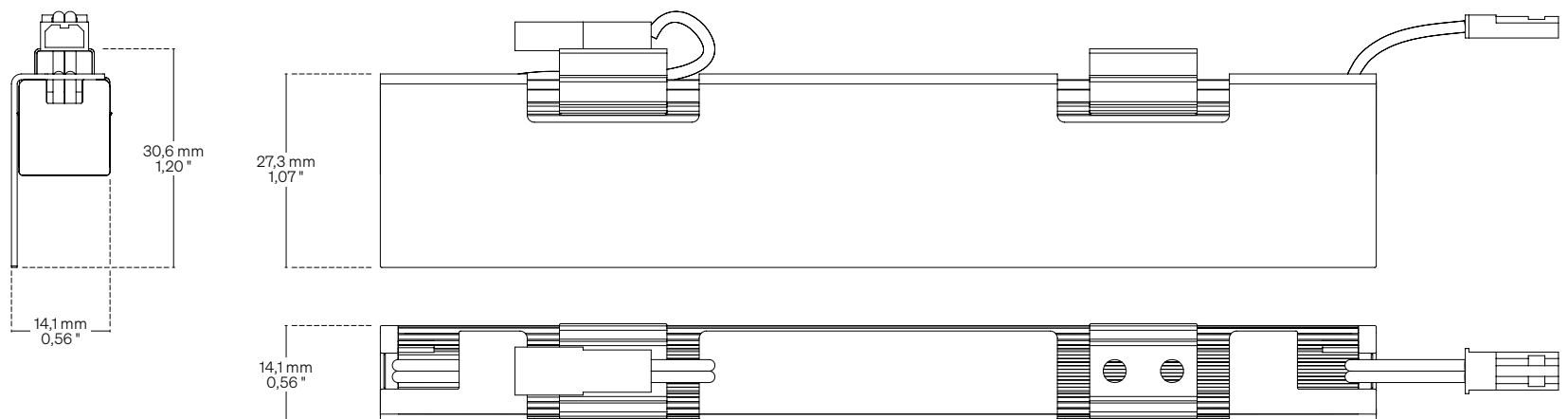
## Eyelid (Only for TAM and TAC) Palpebra (Solo per TAM e TAC)

Scale/Scala 1:1

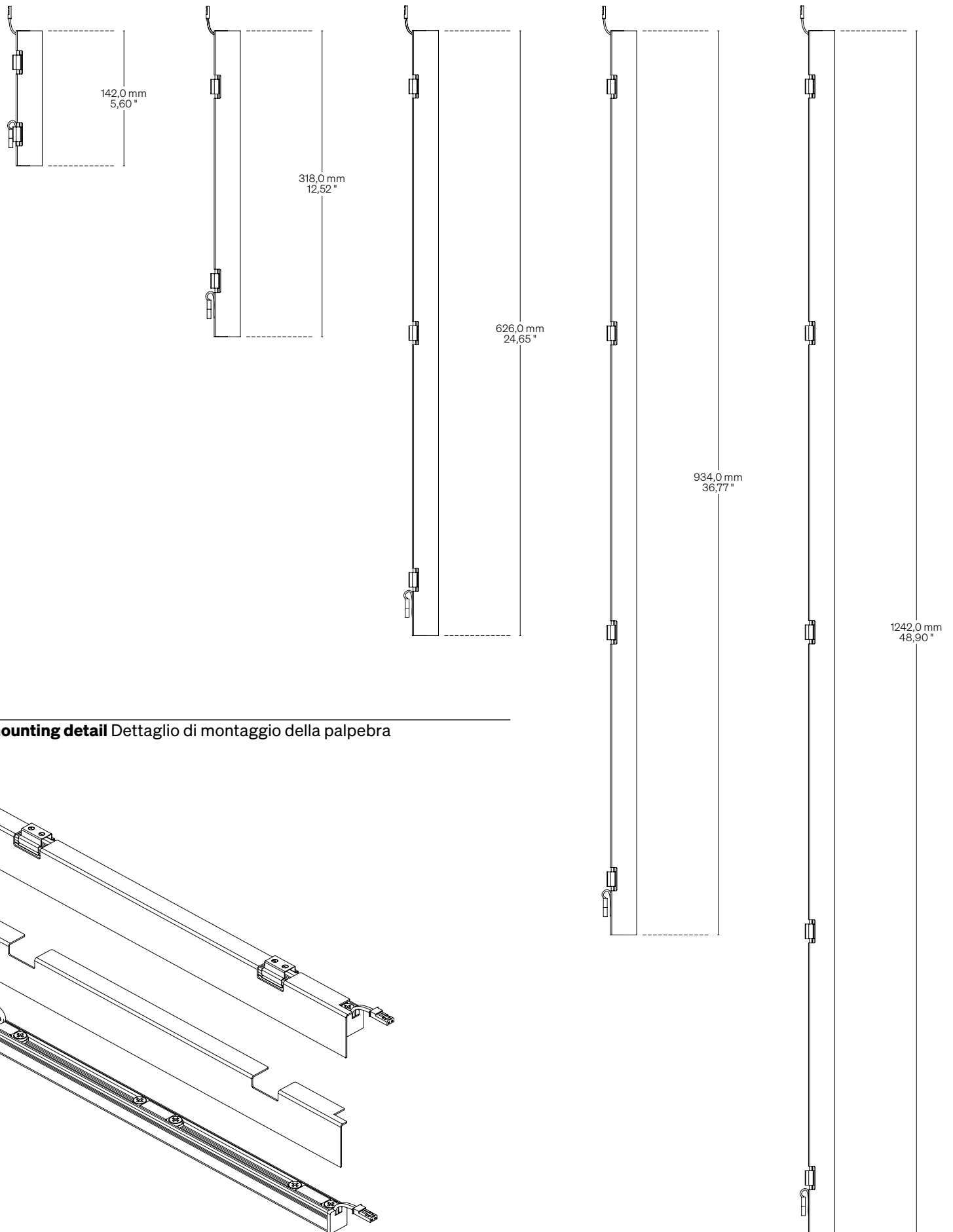
TAM Caps + Magnets  
Tappi + Magneti



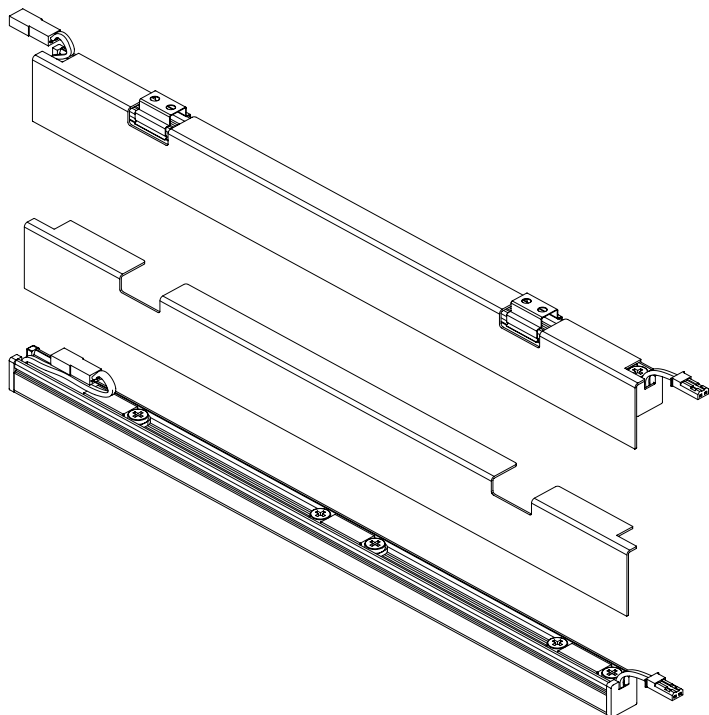
TAC Caps + Steel clips  
Tappi + Clip in acciaio



**Eyelid modul sizes** Dimensioni moduli palpebra



**Eyelid mounting detail** Dettaglio di montaggio della palpebra

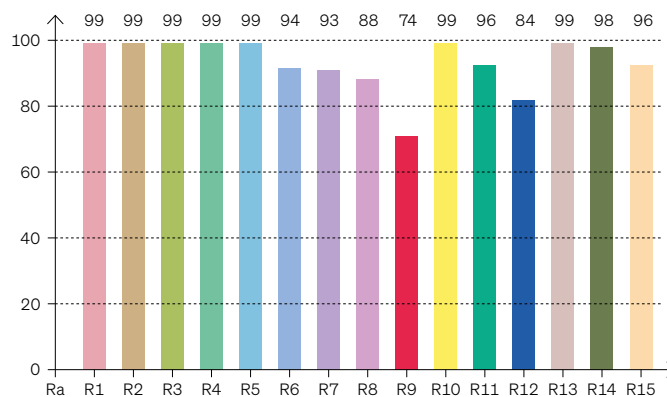


# CRI Typical\* CRI Tipici\*



**R9050 – H6 • 3SDCM**  
**High Efficacy**  
 ● 3000 K

## CRI: 94,5 (R1-R8)



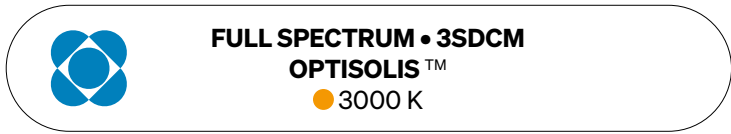
\* Values taken from sample measurements  
 \* Valori presi da misurazioni a campione

## CRI Values Valori CRI

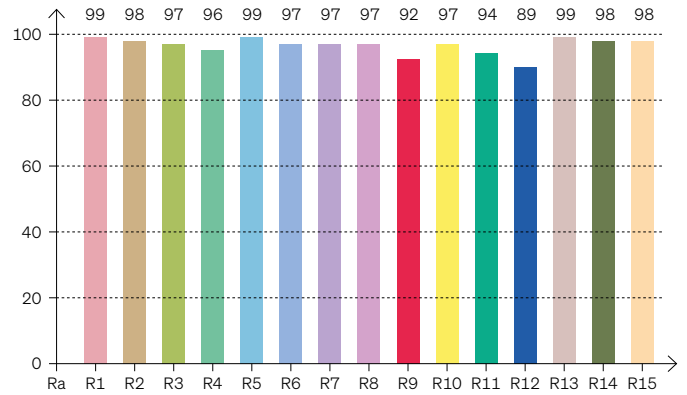
CRI	R1	R2	R3	R4	R5	R6	R7	R8	R9	R10	R11	R12	R13	R14	R15	CCT K
<b>94,4</b>	99	99	99	99	99	94	93	88	74	99	96	84	99	98	96	● 3000 K

## Color Parameters Parametri del colore

Color Temperature	Color Rendering Index	Red Component	Color Fidelity	Color Gamut	Color Quality Scale	Color Coordinate CIE 1931	Color Coordinate CIE 1931	Color Coordinate	Color Coordinate	Color Diviation from Black Body
CCT K	CRI	CRI R9	TM30 Rf	TM30 Rg	CQS	X	Y	U	V	$\Delta UV$
3042 K	96,2	74,4	92,2	100,5	92,9	0,441	0,399	0,255	0,347	-0,0009



**CRI: 97,6 (R1-R8)**



\* Values taken from sample measurements  
\* Valori presi da misurazioni a campione

**CRI Values Valori CRI**

CRI	R1	R2	R3	R4	R5	R6	R7	R8	R9	R10	R11	R12	R13	R14	R15	CCT K
<b>97,6</b>	99	98	97	96	99	97	97	97	92	97	94	89	99	98	98	● 3000 K

**Color Parameters Parametri del colore**

Color Temperature	Color Rendering Index	Red Component	Color Fidelity	Color Gamut	Color Quality Scale	Color Coordinate CIE 1931	Color Coordinate CIE 1931	Color Coordinate	Color Coordinate	Color Diviation from Black Body
CCT K	CRI	CRI R9	TM30 Rf	TM30 Rg	CQS	X	Y	U	V	$\Delta UV$
3491 K	97,6	92,2	95,2	102,7	96,5	0,404	0,386	0,237	0,339	-0,0019

---

**F.L.I. Formula Luci Italia S.r.l.**

---

**Head office**  
Sede centrale

---

Formula Luci Italia  
Via IV Novembre, 171  
25080 Prevalle (BS) - IT

---

**Contacts**  
Contatti

---

**T.** +39 030 7285038  
**W.** [formulaluci.com](http://formulaluci.com)

---

**General information** Richiesta informazioni  
[info@formulaluci.com](mailto:info@formulaluci.com)

---

**Sales** Vendite  
[sales@formulaluci.com](mailto:sales@formulaluci.com)  
[vendite@formulaluci.com](mailto:vendite@formulaluci.com)

---

**Support** Assistenza  
[customer@formulaluci.com](mailto:customer@formulaluci.com)

---

**Technical department** Ufficio tecnico  
[tecnico@formulaluci.com](mailto:tecnico@formulaluci.com)

---

The information and pictures contained in this catalogue are valid at time of printing. F.L.I. Formula Luci Italia Srl reserves the right to modify the content and appearance of products in the catalogue.

---

Le informazioni e le immagini contenute in questo catalogo sono valide al momento della stampa. F.L.I. Formula Luci Italia Srl si riserva la facoltà di modificare il contenuto e l'aspetto dei prodotti contenuti in questo catalogo.





**FLI**