

**144 LED/m • 44 LED/ft**

10,0 W/m • 3,1 W/ft

**168 LED/m • 52 LED/ft**

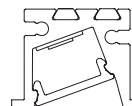
15,0 W/m • 4,6 W/ft

**182 LED/m • 55 LED/ft**

20,0 W/m • 6,1 W/ft

**TW - 252 LED/m • 77 LED/ft Tunable White**

20,0 W/m • 6,1 W/ft



**17,0 × 13,0 mm**  
**0,67 × 0,51"**





Sharp Asym.

## Body Corpo

### Recessed asymmetrical linear profile

Profilo lineare asimmetrico per incasso

<b>Fastening</b> Fissaggio	Caps + Magnets	Tappi + Magneti
<b>Screen</b> Schermo	Opal 30 (Screening 30%)	Opale 30 (Scherm. 30%)
<b>Wiring set</b> Cavo alimentazione	2000 mm • 78,74 "	2000 mm
<b>Custom size</b> Lunghezza ordinabile	Up to 3000 mm • 118,10 "	Fino a 3000 mm
<b>Finishing</b> Finitura	<ul style="list-style-type: none"> <li>● Grey anodized (Standard)</li> <li>→ On request other finishes</li> <li>● Anodica grigia (Standard)</li> <li>→ Su richiesta altre finiture</li> </ul>	

### Listings and marks

Certificazioni e marchi



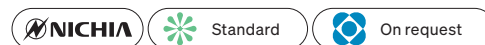
### Where we produce

Dove produciamo

Made in Italy

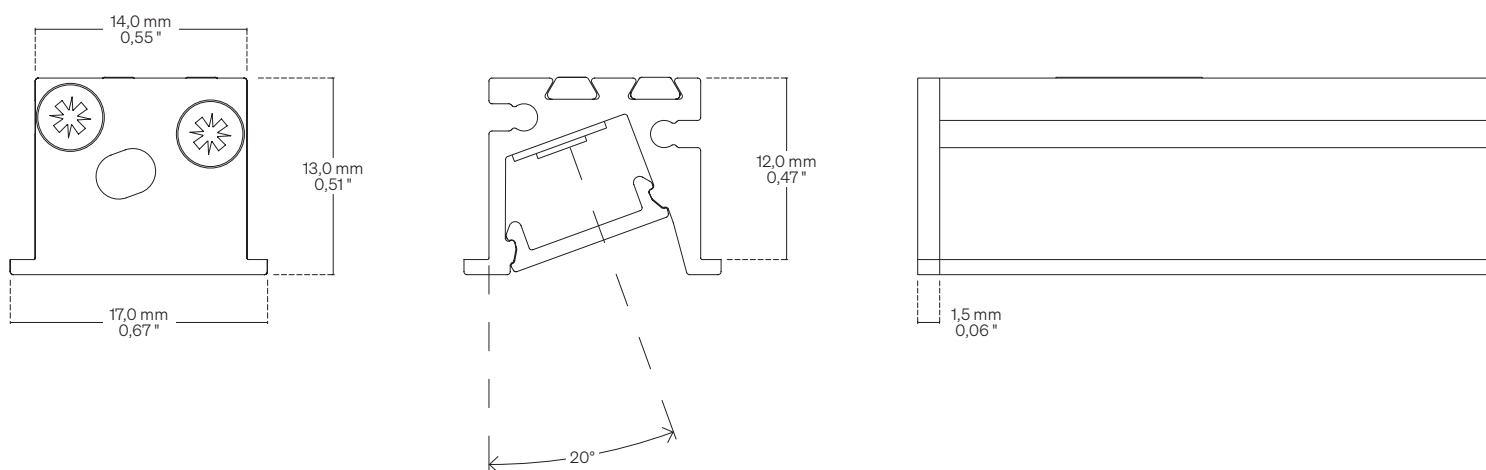
### LED (See page CRI)

LED (Vedi pagina CRI)



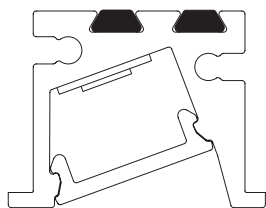
## Light Luce

	144LED/m • 44 LED/ft	168LED/m • 52 LED/ft	182LED/m • 55 LED/ft	TW - 252LED/m • 77 LED/ft Tunable White
<b>Light source</b> Sorgente luminosa				
<b>Power consumption</b> Consumo energia	10,0 W/m • 3,1 W/ft	15,0 W/m • 4,6 W/ft	20,0 W/m • 6,1 W/ft	20,0 W/m • 6,1 W/ft
<b>CCT K</b>	<ul style="list-style-type: none"> <li style="margin-right: 5px;">● 1800</li> <li style="margin-right: 5px;">● 2500</li> <li style="margin-right: 5px;">● 3500</li> <li style="margin-right: 5px;">● 2000</li> <li style="margin-right: 5px;">● 2700</li> <li style="margin-right: 5px;">● 4000</li> <li style="margin-right: 5px;">● 2200</li> <li style="margin-right: 5px;">● 3000</li> <li style="margin-right: 5px;">● 5000</li> </ul>	<ul style="list-style-type: none"> <li style="margin-right: 5px;">● 1800</li> <li style="margin-right: 5px;">● 2500</li> <li style="margin-right: 5px;">● 3500</li> <li style="margin-right: 5px;">● 2000</li> <li style="margin-right: 5px;">● 2700</li> <li style="margin-right: 5px;">● 4000</li> <li style="margin-right: 5px;">● 2200</li> <li style="margin-right: 5px;">● 3000</li> <li style="margin-right: 5px;">● 5000</li> </ul>	<ul style="list-style-type: none"> <li style="margin-right: 5px;">● 1800</li> <li style="margin-right: 5px;">● 2500</li> <li style="margin-right: 5px;">● 3500</li> <li style="margin-right: 5px;">● 2000</li> <li style="margin-right: 5px;">● 2700</li> <li style="margin-right: 5px;">● 4000</li> <li style="margin-right: 5px;">● 2200</li> <li style="margin-right: 5px;">● 3000</li> <li style="margin-right: 5px;">● 5000</li> </ul>	● 2200 - 5700 K
<b>CRI</b> <b>R9</b> <b>Rf @ 3000 K</b> <b>Rg @ 3000 K</b> <b>MacAdam ellipse</b>	Min 90 Min 50 92 100 3	Min 90 Min 50 92 100 3	Min 90 Min 50 92 100 3	Min 90 Min 50 92 100 3
<b>Delivered lumen output</b> Flusso luminoso emesso ● 3000 K	↓ <b>O3</b> - 84 lm/W 854 lm/m • 260 lm/ft	↓ <b>O3</b> - 88 lm/W 1320 lm/m • 402 lm/ft	↓ <b>O3</b> - 91 lm/W 1816 lm/m • 554 lm/ft	● 2200 K - ↓ <b>O3</b> - 48 lm/W 870 lm/m • 265 lm/ft  ● 5700 K - ↓ <b>O3</b> - 63 lm/W 1114 lm/m • 340 lm/ft
<b>Input voltage</b> Tensione di ingresso	24 V DC	24 V DC	24 V DC	24 V DC



Fastening options Opzioni di fissaggio

**TAM** Caps + Magnets  
Tappi + Magneti

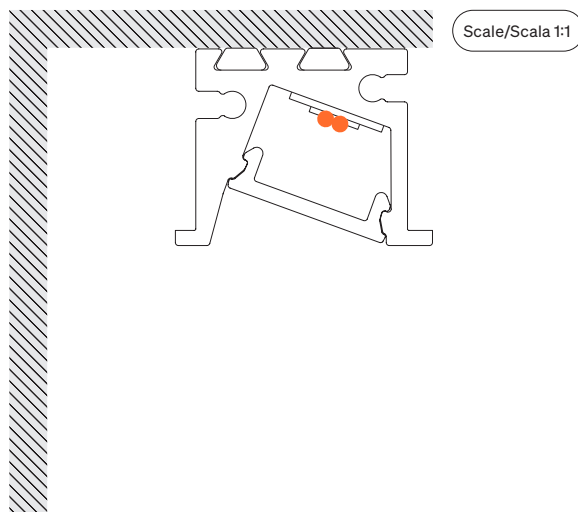
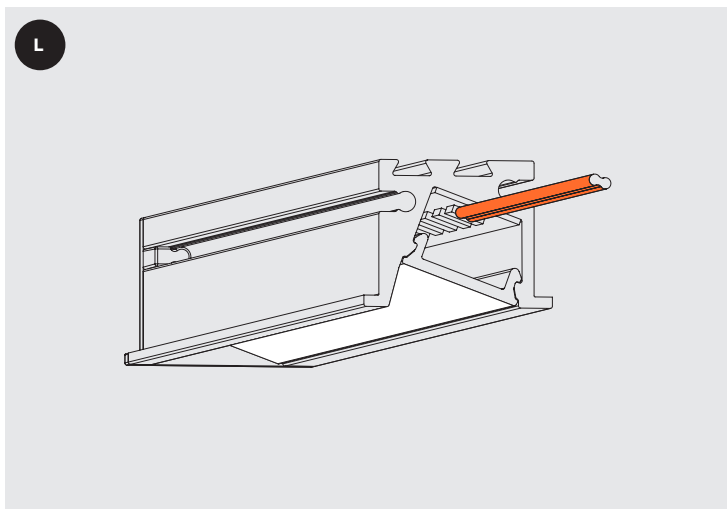


Order code Codice ordine	
<b>Basic code</b> Codice base	<ul style="list-style-type: none"> <li>• <b>NK144</b> Nik 144 LED/m • 44 LED/ft 10,0 W/m • 3,1 W/ft</li> <li>• <b>NK168</b> Nik 168 LED/m • 52 LED/ft 15,0 W/m • 4,6 W/ft</li> <li>• <b>NK182</b> Nik 182 LED/m • 55 LED/ft 20,0 W/m • 6,1 W/ft</li> <li>• <b>NK252</b> Nik TW 252 LED/m • 77 LED/ft ● 2200 - 5700 K 20,0 W/m • 6,1 W/ft</li> </ul>
<b>CCT K</b> CCT K	<ul style="list-style-type: none"> <li>• <b>18</b> ● 1800 K</li> <li>• <b>20</b> ● 2000 K</li> <li>• <b>22</b> ● 2200 K</li> <li>• <b>25</b> ● 2500 K</li> <li>• <b>27</b> ● 2700 K</li> <li>• <b>30</b> ● 3000 K</li> <li>• <b>35</b> ● 3500 K</li> <li>• <b>40</b> ● 4000 K</li> <li>• <b>50</b> ● 5000 K</li> </ul>
<b>Fastening options</b> Opzioni di fissaggio	<ul style="list-style-type: none"> <li>• <b>TAM</b> Caps + Magnets Tappi + Magneti</li> </ul>
<b>Screen</b> Schermo	<ul style="list-style-type: none"> <li>• <b>O3</b> Opal/Opale 30</li> </ul>
<b>Finishing</b> Finitura	<ul style="list-style-type: none"> <li>• <b>01</b> ● Grey anodized ● Anodica grigia</li> </ul>
<b>Ordering length</b> Lunghezza ordinabile	<ul style="list-style-type: none"> <li>• <b>--</b> → Specify the custom size or visit <a href="http://formulaluci.com">formulaluci.com</a>, for standard length. → Specificare la misura custom oppure visitare il sito <a href="http://formulaluci.com">formulaluci.com</a>, per le lunghezze standard.</li> </ul>
<b>Order example</b> Esempio ordine	<ul style="list-style-type: none"> <li>• <b>NK144 18 TAM O3 01 • 0,32</b>  Nik, 144 LED/m • 44 LED/ft, 10,0 W/m • 3,1 W/ft, Warm White 1800, Caps + Magnets, Opal 30 screen, Grey anodized • 0,32 m  Nik, 144 LED/m, 10,0 W/m, Warm White 1800, Tappi + Magneti, Schermo opale 30, Anodica grigia • 0,32 m</li> </ul>

## Cable outlet Uscita cavi

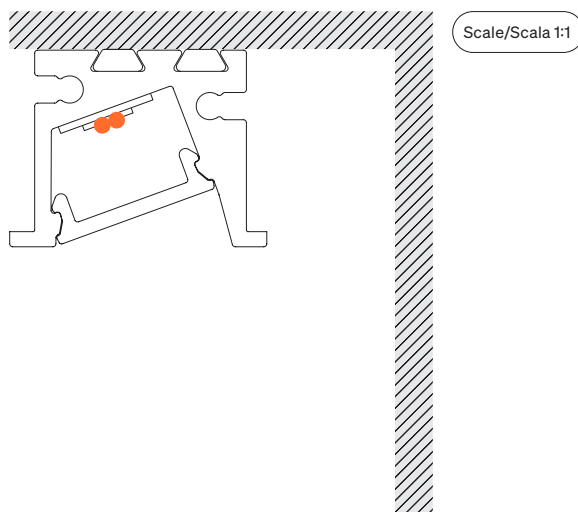
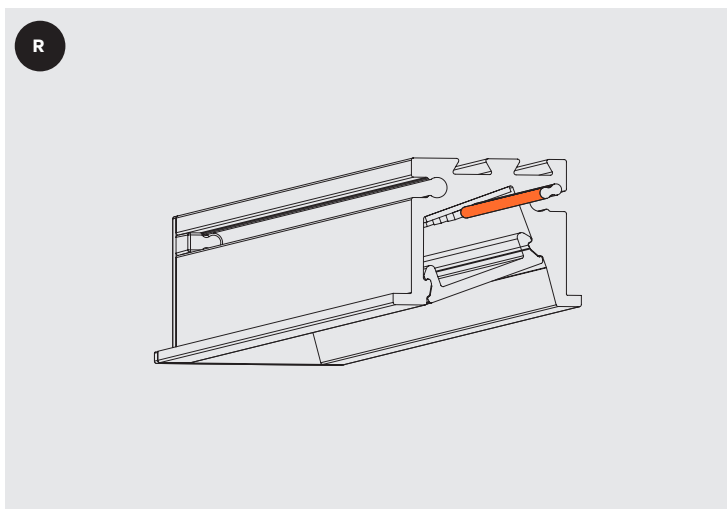
### Left side

Lato sinistra



### Right side

Lato destro



# CRI Typical\* CRI Tipici\*

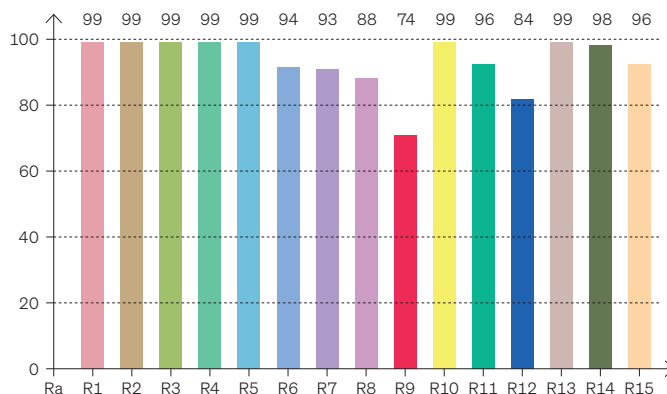


**R9050 - H6 • 3SDCM**

**High Efficacy**

● 3000 K

**CRI: 94,5 (R1-R8)**



\* Values taken from sample measurements  
\* Valori presi da misurazioni a campione

**CRI Values Valori CRI**

**CCTK: ● 3000 K**

CRI	R1	R2	R3	R4	R5	R6	R7	R8	R9	R10	R11	R12	R13	R14	R15
<b>94,4</b>	99	99	99	99	99	94	93	88	74	99	96	84	99	98	96

**Color Parameters Parametri del colore**

Color Temperature	Color Render Index	Red Component	Color Fidelity	Color Gamut	Color Quality Scale	Color Coord. CIE 1931	Color Coord. CIE 1931	Color Coordinate	Color Coordinate	Color Deviation from Black Body
CCT K	CRI	CRI R9	TM30 Rf	TM30 Rg	CQS	X	Y	U	V	$\Delta UV$
3042 K	96,2	74,4	92,2	100,5	92,9	0,441	0,399	0,255	0,347	-0,0009

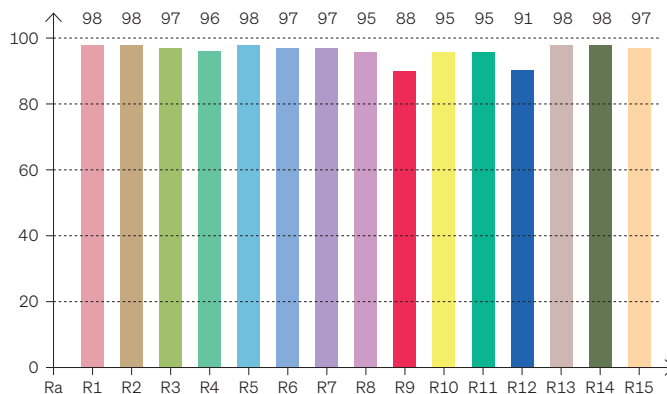


**FULL SPECTRUM • 3SDCM**

**OPTISOLIS™**

● 3000 K

**CRI: 97,0 (R1-R8)**



\* Values taken from sample measurements  
\* Valori presi da misurazioni a campione

**CRI Values Valori CRI**

**CCTK: ● 3000 K**

CRI	R1	R2	R3	R4	R5	R6	R7	R8	R9	R10	R11	R12	R13	R14	R15
<b>97,0</b>	98	98	97	96	98	97	97	95	88	95	95	91	98	98	97

**Color Parameters Parametri del colore**

Color Temperature	Color Render Index	Red Component	Color Fidelity	Color Gamut	Color Quality Scale	Color Coord. CIE 1931	Color Coord. CIE 1931	Color Coordinate	Color Coordinate	Color Deviation from Black Body
CCT K	CRI	CRI R9	TM30 Rf	TM30 Rg	CQS	X	Y	U	V	$\Delta UV$
3059 K	97,0	88,0	94,8	102,8	94,5	0,432	0,400	0,249	0,346	-0,0008

# Warnings Avvertenze

---

The installation of the product, must be done as illustrated in the catalogue or inside the technical data-sheet that can be asked to the manufacturer. An installation performed differently from the one indicated may compromise the durability and characteristics of the product itself.

An installation performed differently from the one indicated may compromise the durability and characteristics of the product. Unsuitable cross-section / length of the cable can negatively affect the lighting power of the product. If Power supplies, even those with a plastic case, are located in spaces that are too small for their dimensions; they will be subjected to dissipation problems that will compromise their functionality. Silicones or resins subjected to temperature changes and used near the product, if not in accordance with the specifications issued by the manufacturer, they can seriously damage the LED component. The products can not be modified without any authorization by the manufacturer.

---

L'installazione del prodotto, dovrà eseguirsi come illustrato nel catalogo o nella documentazione tecnica richiedibile al produttore. Un'installazione eseguita diversamente da quella indicata, può compromettere la durata e le caratteristiche del prodotto.

Prima dell'installazione verificare la corretta sezione del cavo collegato tra LED e alimentatore. Sezione / lunghezza del cavo non congrui, possono alterare in negativo la luminosità del prodotto. Gli alimentatori, anche quelli con contenitore plastico, inseriti in spazi troppo piccoli, saranno soggetti a problemi di dissipazione che comprometteranno la loro funzionalità. Siliconi o resine soggetti a sbalzi di temperature e utilizzati in prossimità del prodotto, se non conformi alle specifiche rilasciate dal produttore possono danneggiare gravemente il componente LED. I prodotti non possono essere modificati senza autorizzazione da parte del produttore.